

# SEAFLO<sup>®</sup> LIVEWELL PUMP

Follow installation instructions carefully to assure proper operation of your livewell Pump.

## Installation Instruction

To install the pump, drill a  $1\frac{1}{16}$  hole through the transom well below the water line. Caulk the threaded Shaft on the pump and insert the threaded shaft through the hole. NOTE: Silicone sealants are not recommended. If the transom has a severe angle use transom shims to level pump. Tighten the nut and saw off the excess threaded shaft. Make

certain the pump outlet is pointing straight up before tightening shaft.

## Electrical Installation

To wire the pump, use 18-gauge wire. Connect the black wire to negative (-) or ground. The brown wire connects to positive (+). Install a fuse somewhere between the pump and the battery (Fuse assemble between the positive (+) of the power and the positive of the pump), if one is not present. Keep all wire connection above the highest possible water level. Seal connections with a marine sealant to prevent corrosion. The positive wire may connect with a panel switch or a Float Switch.

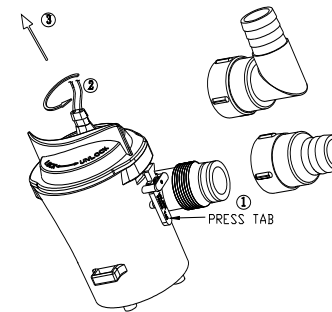
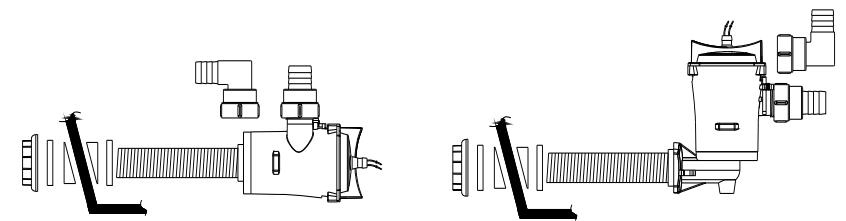
Connect a  $\frac{3}{4}$ " reinforced hose from the pump discharge to the livewell or spray bar.

The unit is now ready for operation.

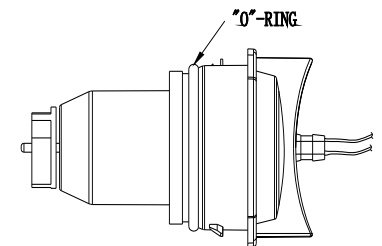
To remove or replace power cartridge. Press down tab and rotate the two fins in a

To reinstall, first make sure that the seal is properly located. Pic(2) Coat the seal with a light film of vegetable oil or mineral oil, then align the two cams on either side of the power cartridge with the two slots in the outer housing, lift and twist in a clockwise rotation. To ensure that the power cartridge is properly located, twist fins in a counter clock-wise direction without pressing tab. Cartridge should stay in place.

Unblock inlet, if it was blocked, and reattach power leads see "Electrical installation?"



(pic 1)



(pic 2)