

SEAFLO[®]
www.seaflomariner.com

RV EQUIPMENT

Fresh Water Pumps & Submersible Pumps



Washdown Pump Kits & Water Pressure Systems



Toilets & Macerator Pumps



Other Equipment



Faucets



SEAFLO[®]
FUJIAN AIDI ELECTRIC CO.,LTD.

Office Add: No.520 Hengtian Road, Business Operation Center in North Station, Jimei District, Xiamen, Fujian, China
Factory Add: F2-4 Block, Industrial Park, Liancheng County, Longyan City, Fujian, China

Tel/WhatsApp/Wechat: + 86 13860382108
Web: www.seaflomariner.com www.seaflo.com
E-mail: business@seaflo.com



ACCURACY AND COMPLETENESS OF INFORMATION
All information in this literature regarding products and services provided by SEAFLO is subject to change without prior notice. Reasonable efforts are taken to ensure the accuracy and integrity of all information provided here, but SEAFLO is not responsible for misprints, out-of-date information, or errors. SEAFLO makes no warranty, express or implied, or assumes any legal liability or responsibility for the accuracy or completeness of any information contained in this literature.



SP CE UK CA PAHS REACH ISO8846 ISO8849

FUJIAN AIDI ELECTRIC CO.,LTD.



LIANCHENG FACTORY

FOUNDED IN

2011

4 Million Annual Capacity

160,000
Square meters

1000+
Customers

180+
Patents



Production Line

SEAFLO group is an ISO9001 certified, professional marine & RV water system and outdoor solution manufacturer. We have 2 production bases, 2 modern standard workshops of 50000 square meters, more than 200 employees. SEAFLO products and brand is deeply engaged in Marine, RV and outdoor market for more than a decade. We offer professional and reliable service with the cost-effective products of SEAFLO brand and private branding for our partners.

We serve more than 1000 customers in over 100 countries all over the world. We are committed to build a strong and senior technical personnel of research & development team.

We have obtained more than 180 domestic and international patents, and our products have passed CE, RoHS, UKCA, ISO8846 and ISO8849, CSA, Reach, PAHs and other international certifications.

SEAFLO Mission: Bring value not only to our customers, but to the world.

SEAFLO Vision: Lead the vanguard of the next generation of great companies.

SEAFLO Value: Learning, Growing, Thankful, Together.



Automatic Screwing Equipment



10,000 m² Warehouse



Automatic Injection Equipment



Mold Workshop



Factory One



Xiamen R&D Center



Sales Center



05-08

Submersible / Line Pumps

Low Voltage Submersible Pumps
Submersible and Line Pumps
Shower Sump Pump System



09-26

Fresh Water Pumps

23 / 21 / 22 Series Fresh Water Pumps
33 / 43 Series Fresh Water Pumps
41 / 42 Series Fresh Water Pumps
51 / 52 / 53 / 55 Series Fresh Water Pumps
56A / 56C Series Variable Speed Smart Pumps



27-28

Washdown Pump Kits

56 Series Portable Cleaning Kit
56 Series Portable Water Transfer Kit



29-30

Accumulator Tank Water Pressure Systems

Accumulator Tanks
33 / 42 / 51 Water Pressure Systems



31-37

Toilets

Portable Toilets
Residential Height RV Toilets & Accessories
Electric Toilets
Manually Operated Toilets



38-42

Macerator Pumps

Macerator Pump 01 series
Macerator Pump 02 / 03 series
Portable Macerator Pump Kit



43-44

Blowers

01 / 02 / 03 / 04 Series In-Line Blowers



45-48

Battery Switches

Battery Switches
Stab Jack Switch



49-58

Plastic Accessories

External Shower Box and kit
PVC Waste Valve
Drink Holder
Air and Plumbing Vents
Vent Covers
Water Inlets and hatches
Dent Vents and Cable hatches
Handles
Hose Clamps & PEX pipe Fittings



59-62

Plastic Accessories

RV Sewer Hose Kit, Cap & Adapter
RV Hose Support
Levelling Blocks
RV Tongue Jack Stand
Hatches



63-68

Oil Change System

Oil Change System
Fuel Cans 5L, 10L, 12L, 20L, 24L
Battery Powered Fuel Transfer Pump



69-70

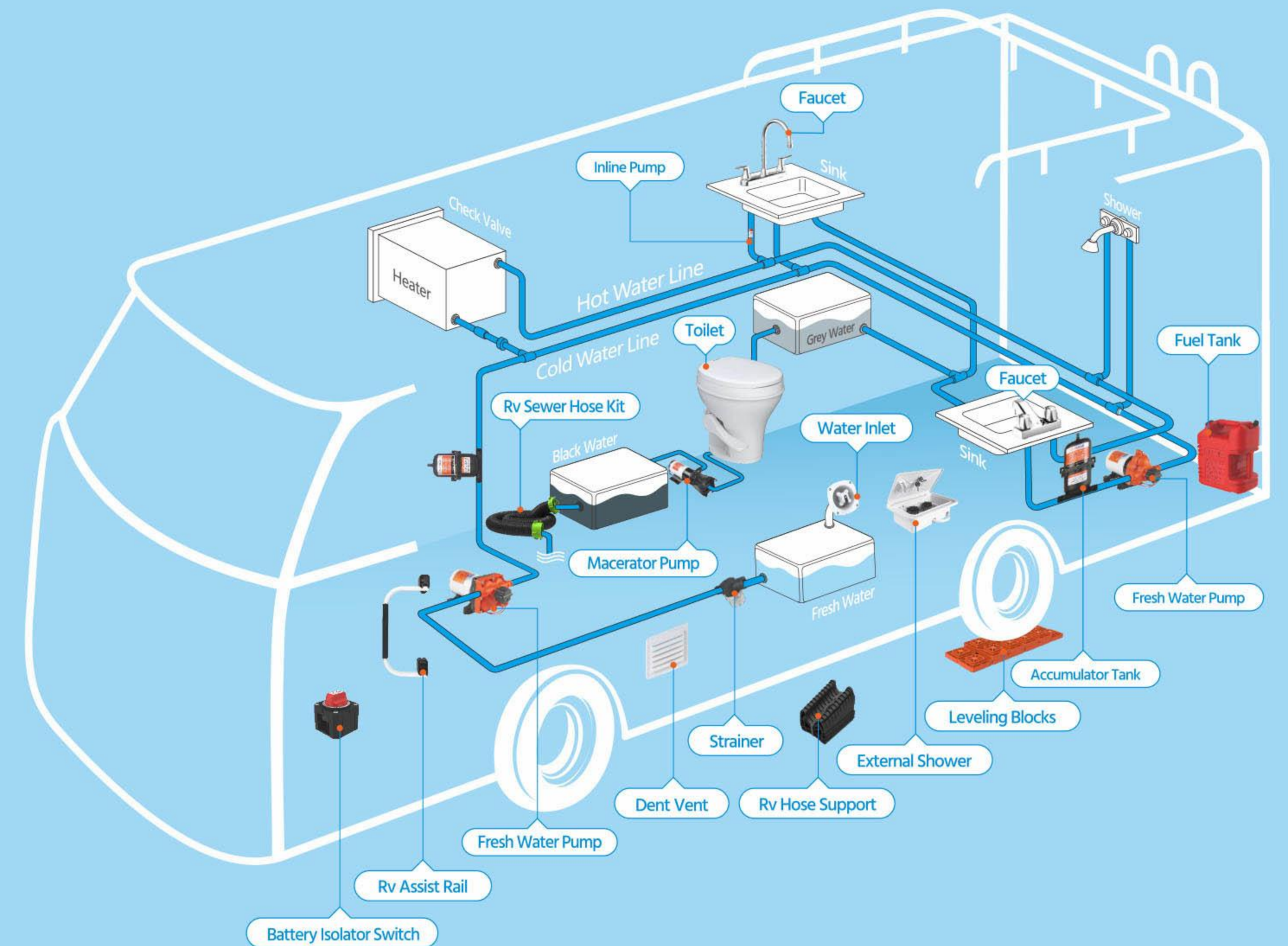
Faucet Series



71-72

Other Accessories

RV PLUMBING SYSTEM



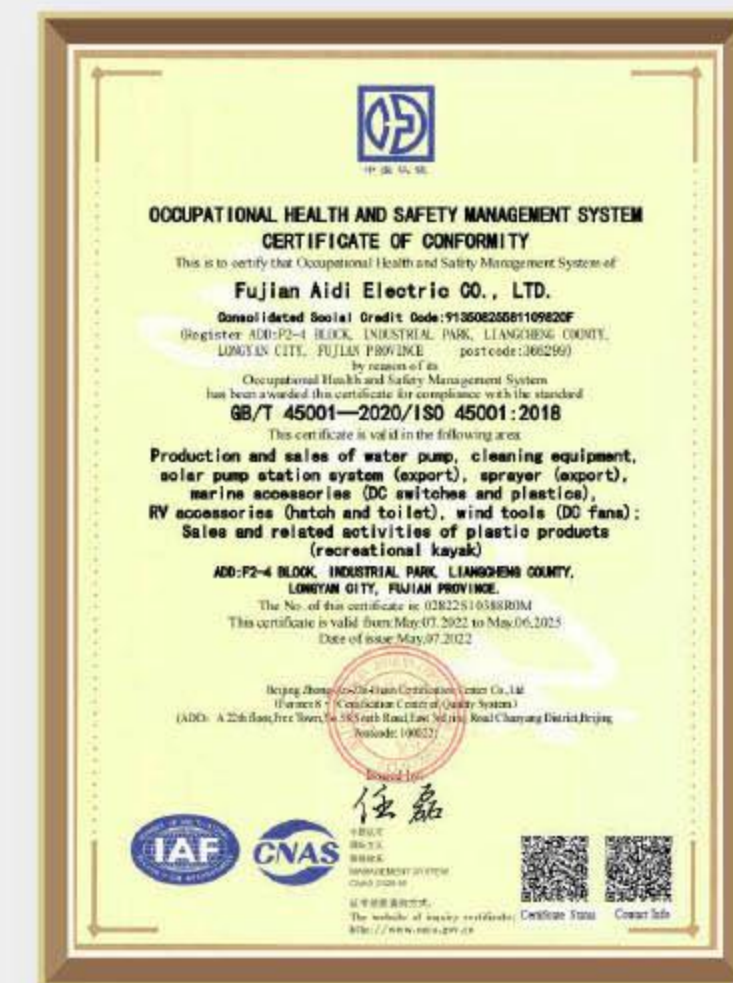


CERTIFICATIONS

SEAFLO factory pays high value to ISO system including ISO 9001:2015, ISO 14001:2015 and ISO 18001:2007 for general management and production. SEAFLO not only has obtained 7 Invention Patents, 40 Utility Model Patents, 125 Design Patents till now, but also received many international authentications including CE, RoHS, REACH, CSA, ISO 8846 ISO 8849, PAHs etc.



CSA



ISO 45001:2018



ISO 14001:2015



CE



UKCA



ISO 8846 ISO 8849



ISO 9001:2015



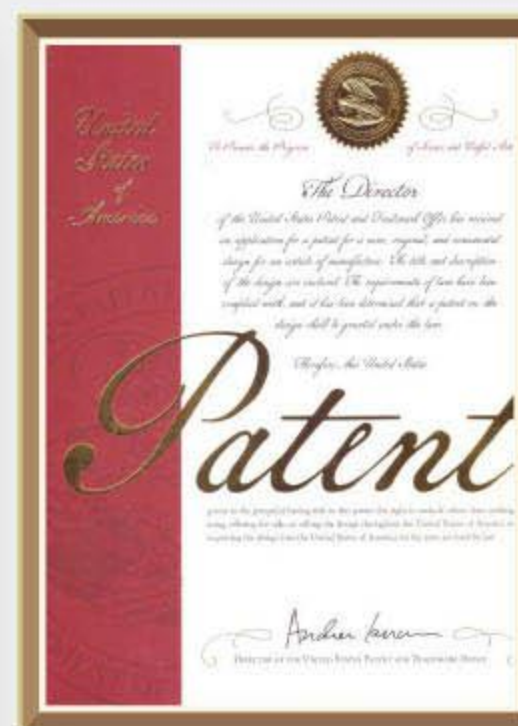
PAHs



RoHS



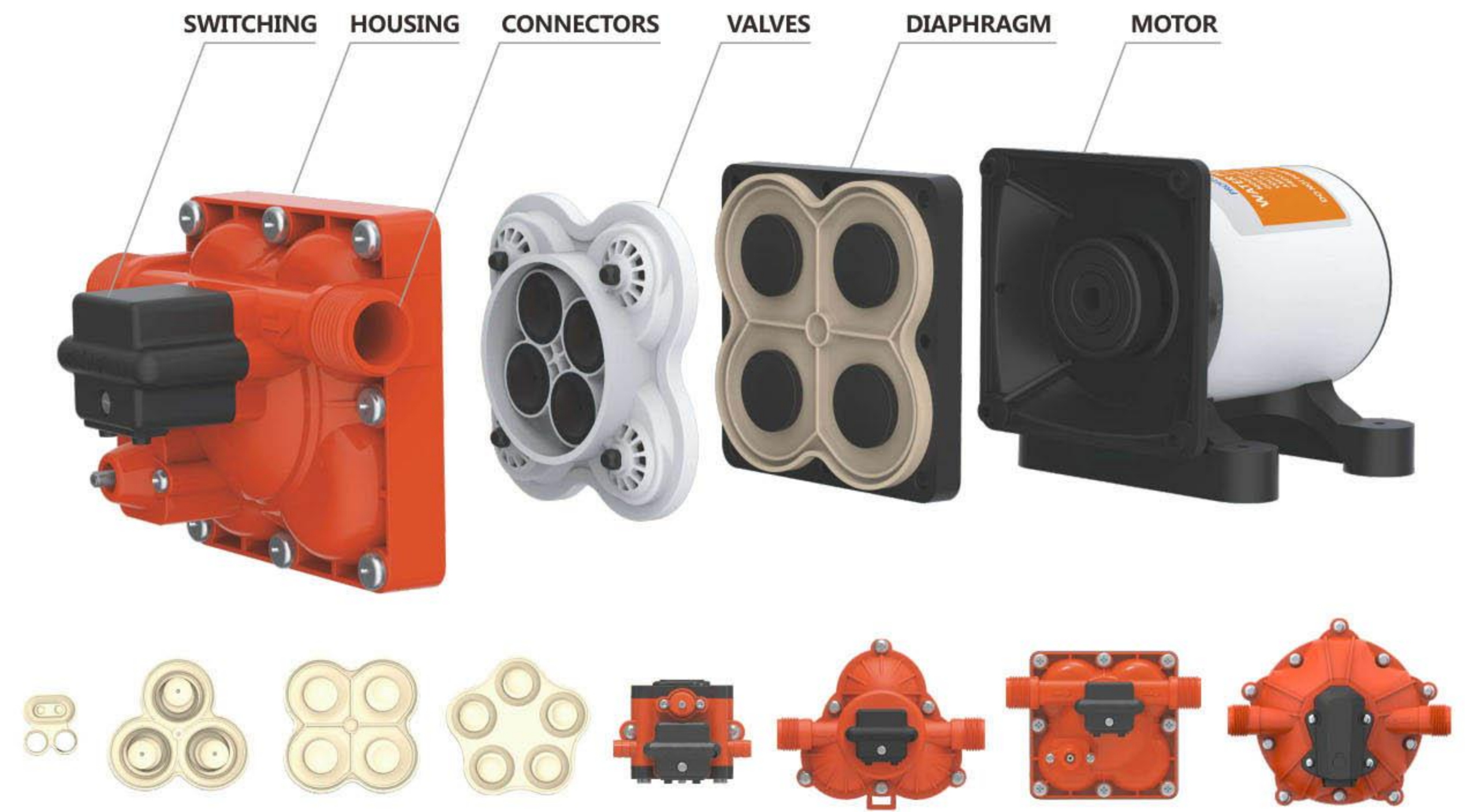
Reach



United States Patent

SEAFLO CUSTOM PUMP OPTIONS

FRESH WATER PUMPS



SWITCHING

- Bypass
- Demand
- Dual Controls
- No Controls
- Smart Controllers

HOUSING

- Nylon
- Polypro

VALVES

- Santoprene
- Viton
- Geolast
- Nylon
- Polypro
- BUNA
- EPDM

CONNECTORS

- Quick Attach
- FNPT
- MNPT

DIAPHRAGMS

- Santoprene
- Viton
- Geolast
- Various CAM Sizes
- BUNA

MOTORS

- Sealed
- 12,24 Volts
- 115,230 Volts
- Higher Output
- Heat Sinks
- Lead Sinks
- Lead Wires
- 2 Pin Connector
- On/Off Switch
- Special Electrical Connectors Available



Product performance, parameters, appearance can be customized

Additional Options: Barcoding, CE certified, Various packaging options, Custom label/logo



PE Bag

Submersible And Line Pump 280/500 GPH

FEATURES & BENEFITS

- Able to pump 40 °C diesel , 80 °C sea water
- Able to run about 20 minutes
- Portable to carry on
- Easy installation
- Intermittent duty
- "A" refers to 5m leads with clip,
- "B" refers to 1m leads



Can be split to use

Blister

Low Voltage Submersible Pump 01 Series 12/16 LPM

FEATURES & BENEFITS

- Pumps up to 18 vertical feet
- 1/2" Outlet
- Ideal for backup battery sump
- Quiet and vibrationless operation
- Completely submersible
- 18 AWG, 1 m long Leads

PUMP

Priming Capabilities

Flooded suction

Power

2.8 amps max current draw

Flow

3.2 & 5.0 GPM Models Available

MOTOR

Type

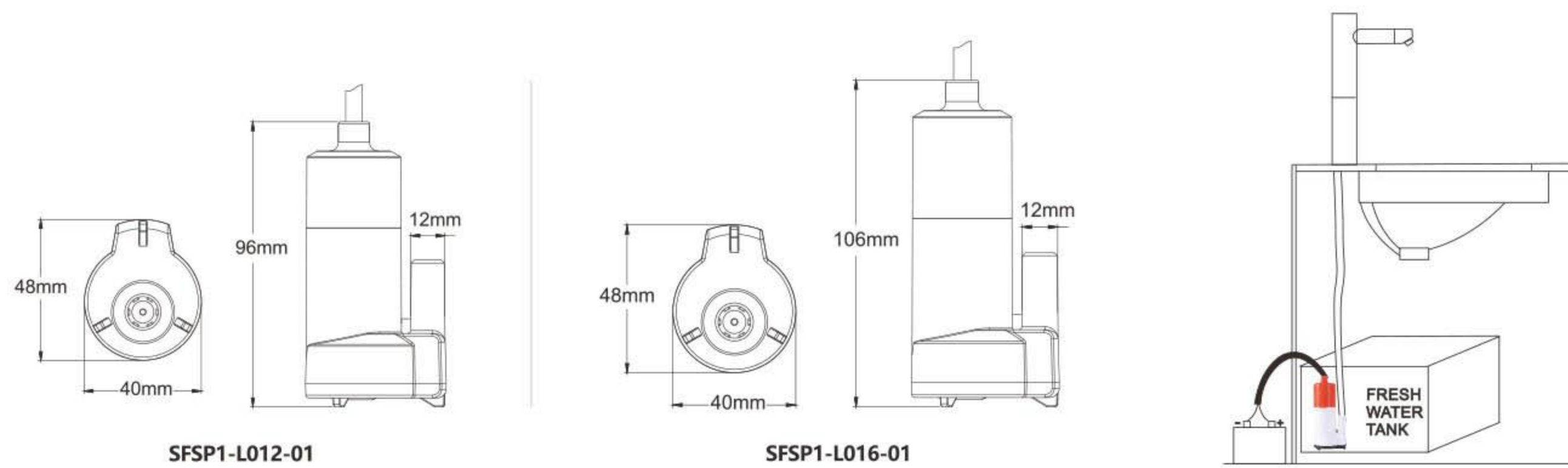
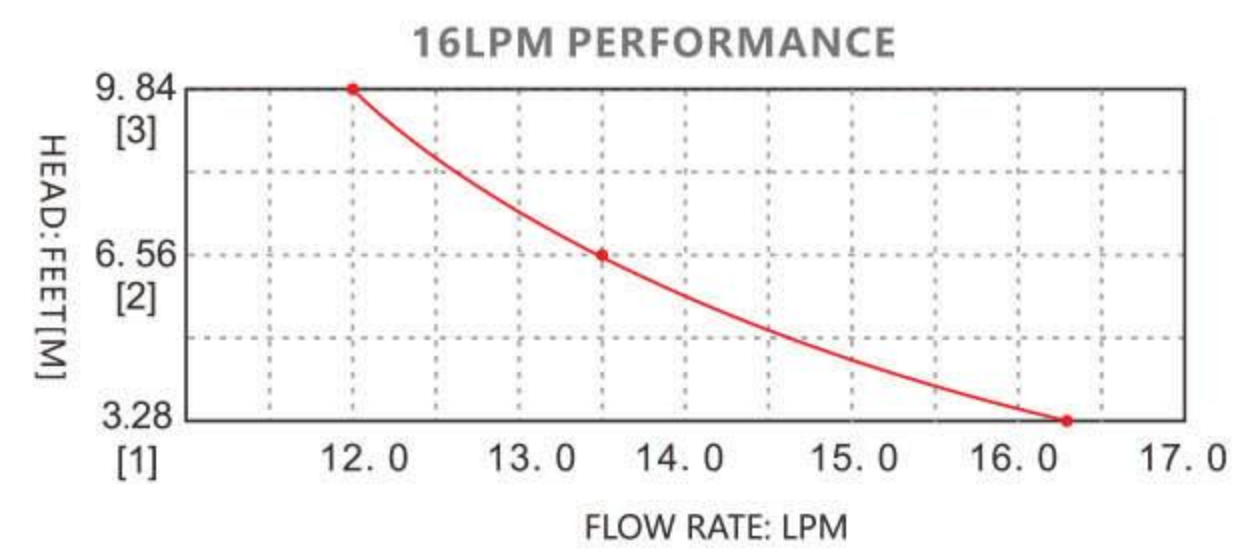
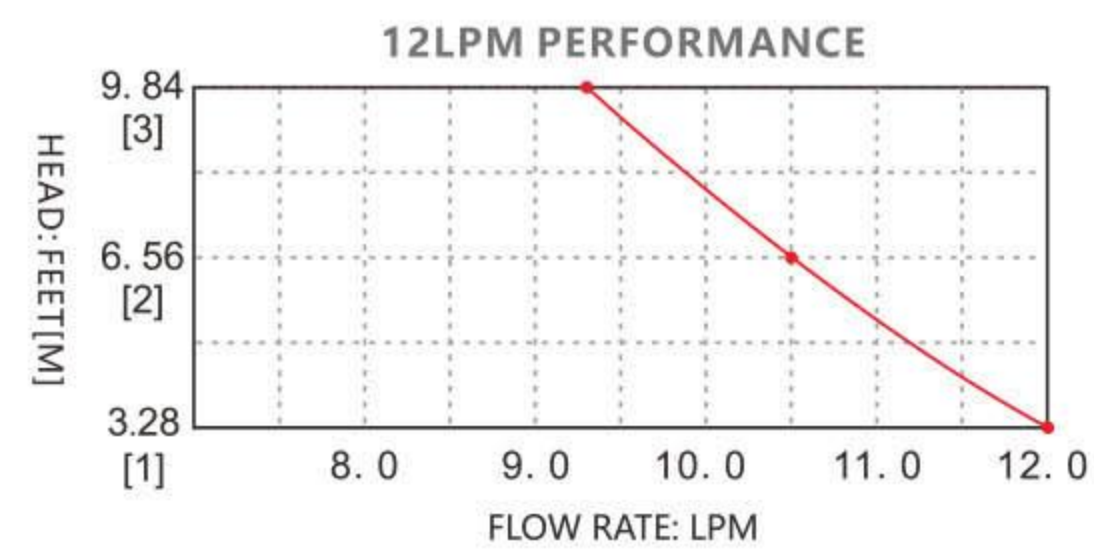
Compact, efficient, long life motor

Temperature Limits

110 °F (43 °C) Max.

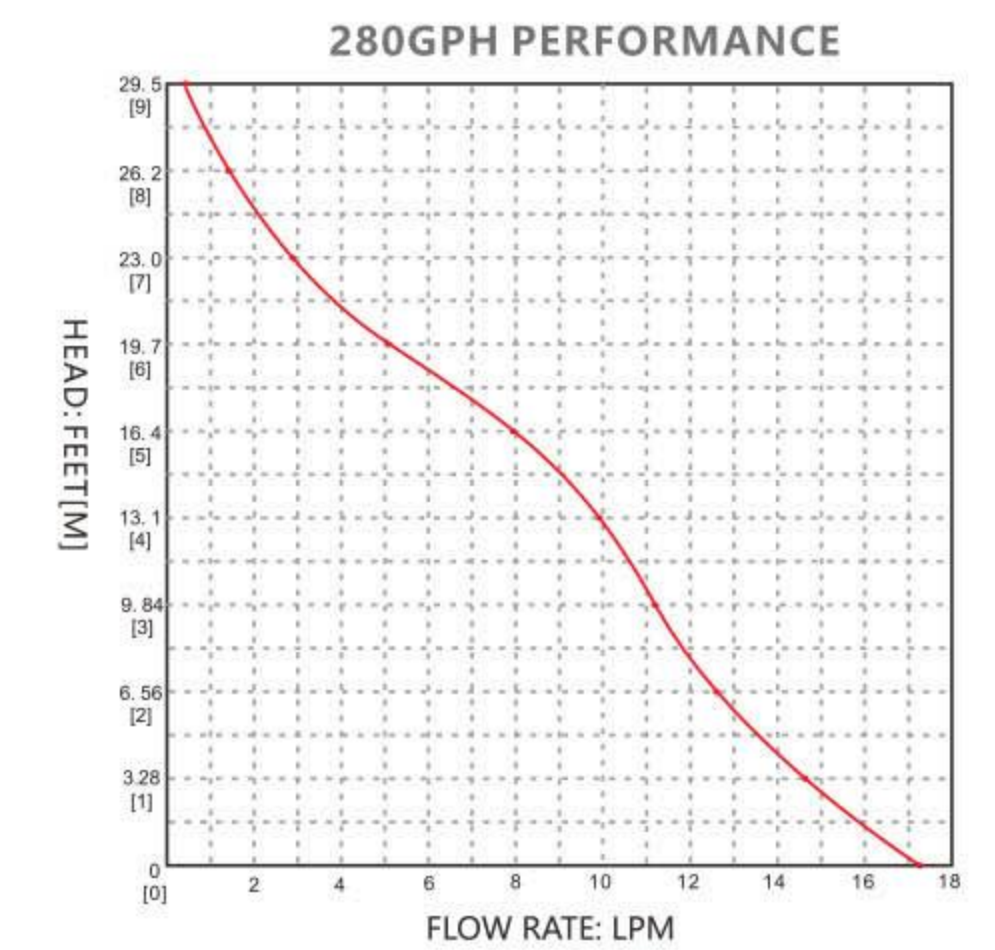
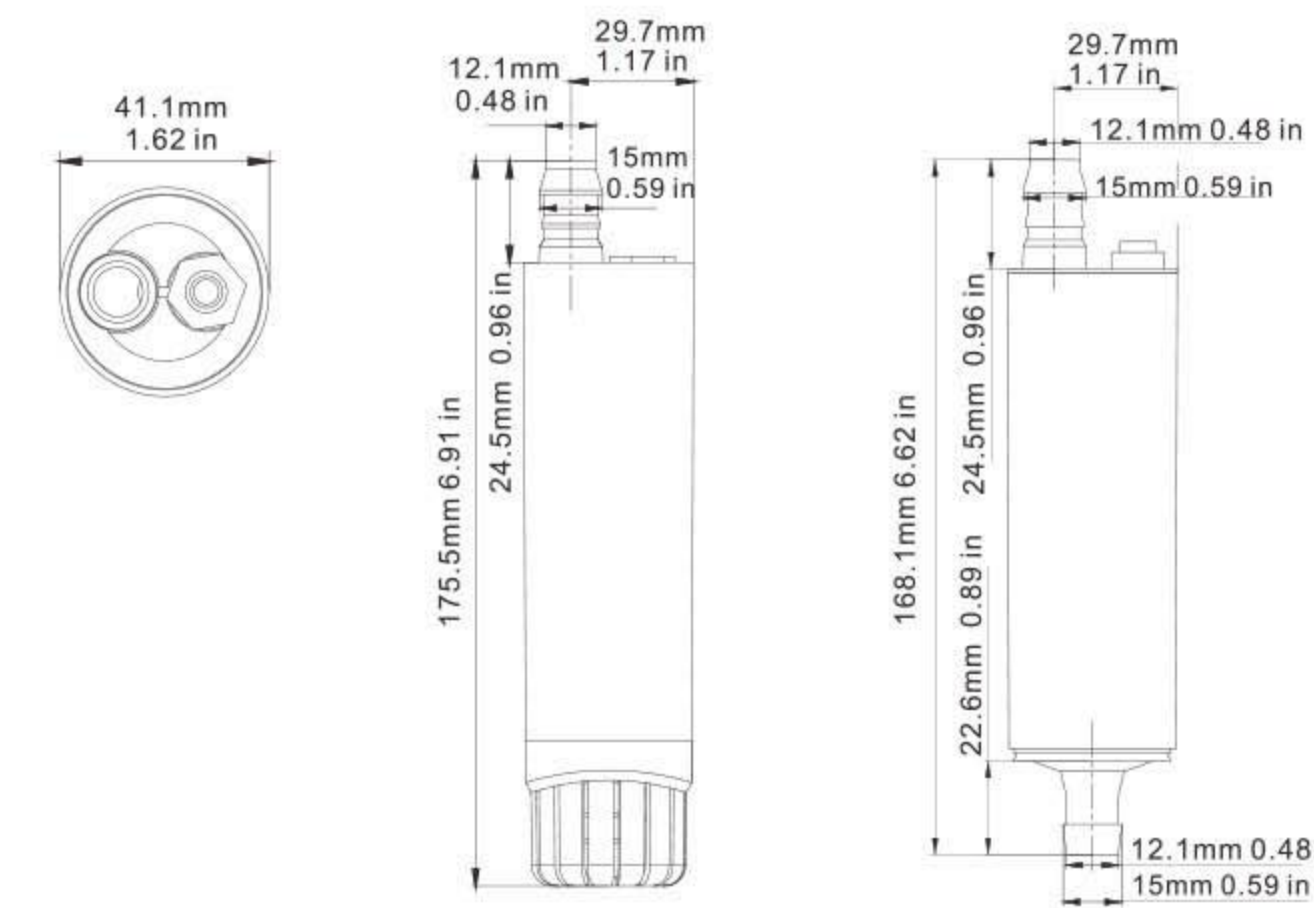
Duty Cycle

Intermittent (30 minutes)



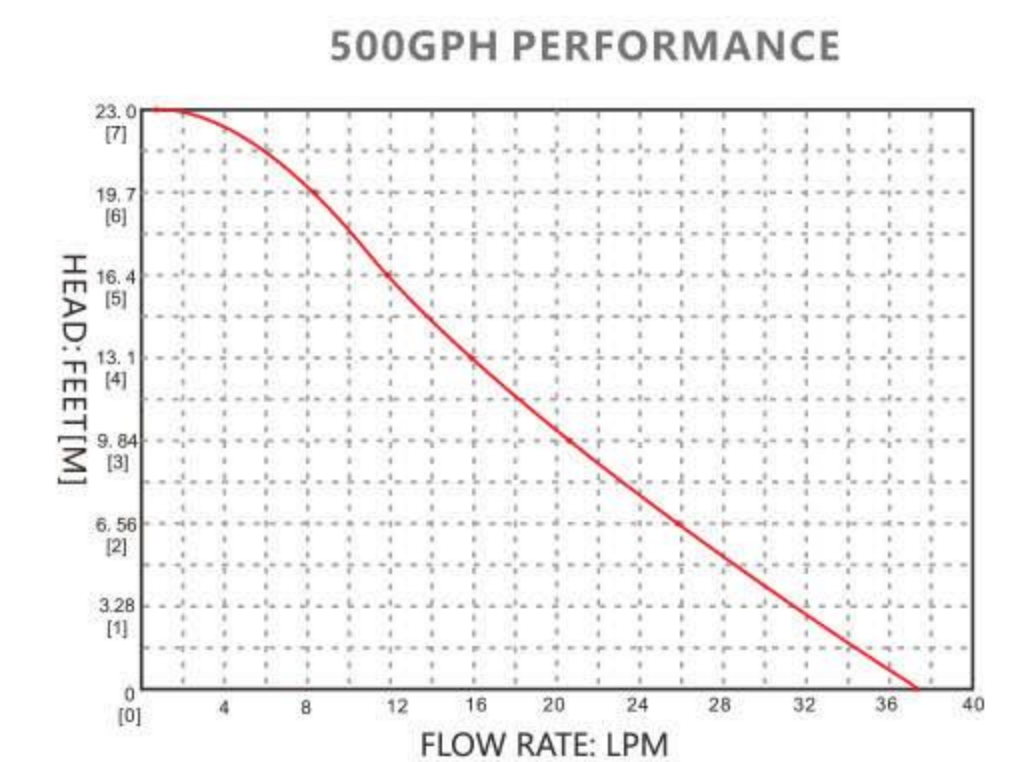
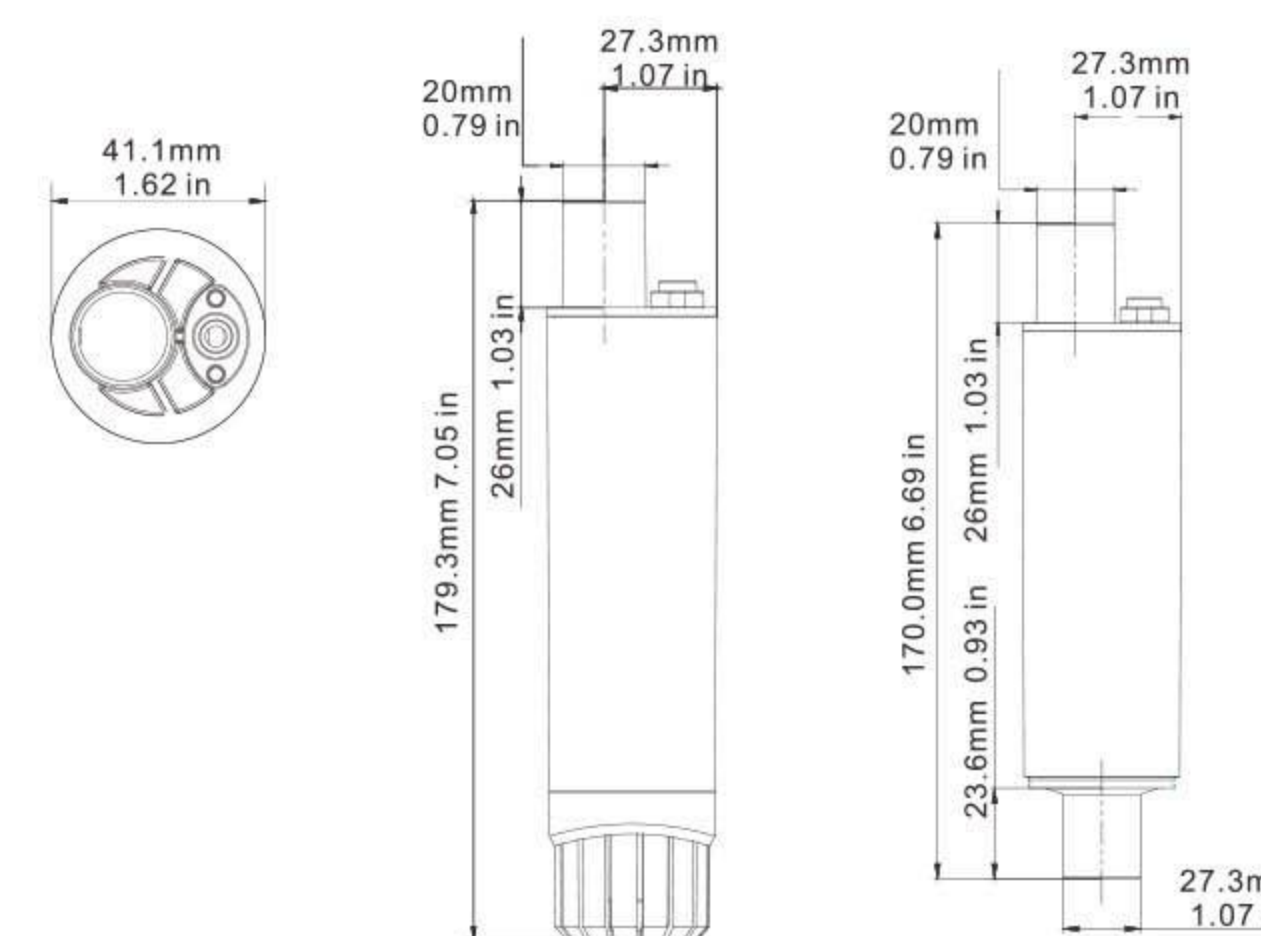
Standard Pump Configurations

| Model | Voltage | Max Amps | Flow rate | Bar | Head | Wire Lead | Outlet Dia. | N.W./G.W. |
|---------------|---------|----------|-----------|---------|-------------|-----------|--------------|----------------|
| SFSP1-L012-01 | 12V | 2.0 A | 12 LPM | 0.6 bar | 6 m / 19.7' | 1 m / 3' | 12 mm / 1/2" | 0.16 / 0.18 kg |
| SFSP1-L016-01 | 12V | 4.0 A | 16 LPM | 0.6 bar | 6 m / 19.7' | 1 m / 3' | 12 mm / 1/2" | 0.24 / 0.26 kg |



standard pump configurations

| Model | Flow Rate | Voltage | Max Draw | Fuse Amps | Head | Wire Lead | Outlet Dia. |
|----------------|-----------|---------|----------|-----------|-----------|-----------|-------------|
| SFSP1-G280-02A | 280 GPH | 12 V | 4.5 A | 7.5 A | 6 m/19.7' | 5 m/16' | 1/2" |
| SFSP1-G280-02B | 280 GPH | 12 V | 4.5 A | 7.5 A | 6 m/19.7' | 1 m/3' | 1/2" |



standard pump configurations

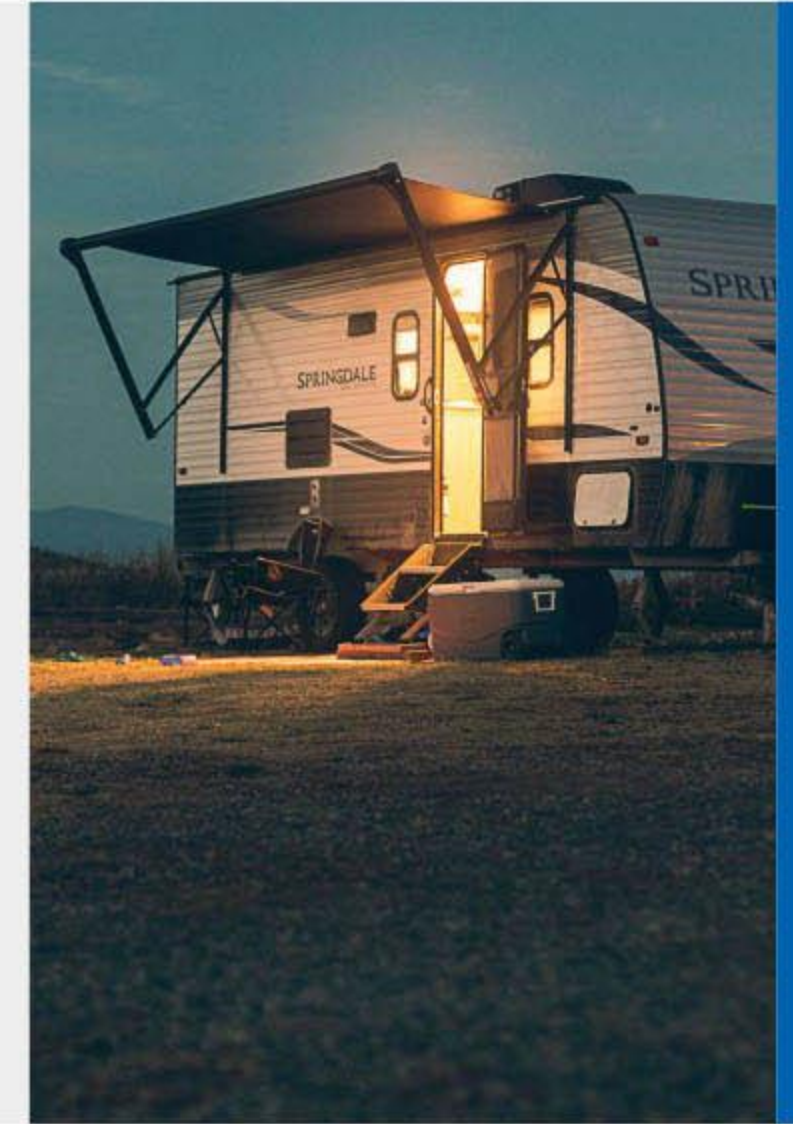
| Model | Flow Rate | Voltage | Max Draw | Fuse Amps | Head | Wire Lead | Outlet Dia. |
|----------------|-----------|---------|----------|-----------|---------|-----------|-------------|
| SFSP1-G500-02A | 500 GPH | 12 V | 4.5 A | 7.5 A | 7 m/23' | 5 m/16' | 3/4" |
| SFSP1-G500-02B | 500 GPH | 12 V | 4.5 A | 7.5 A | 7 m/23' | 1 m/3' | 3/4" |



Blister



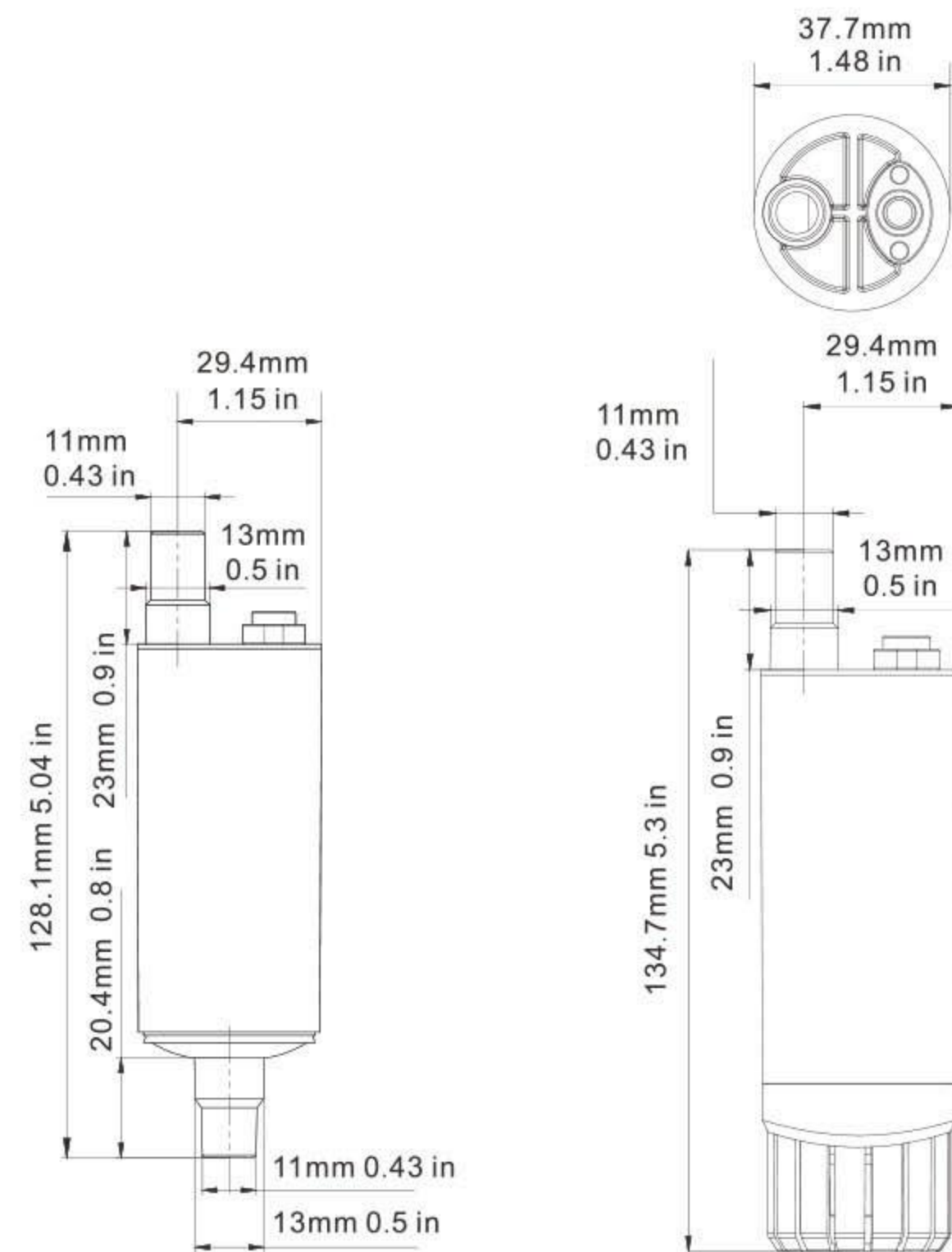
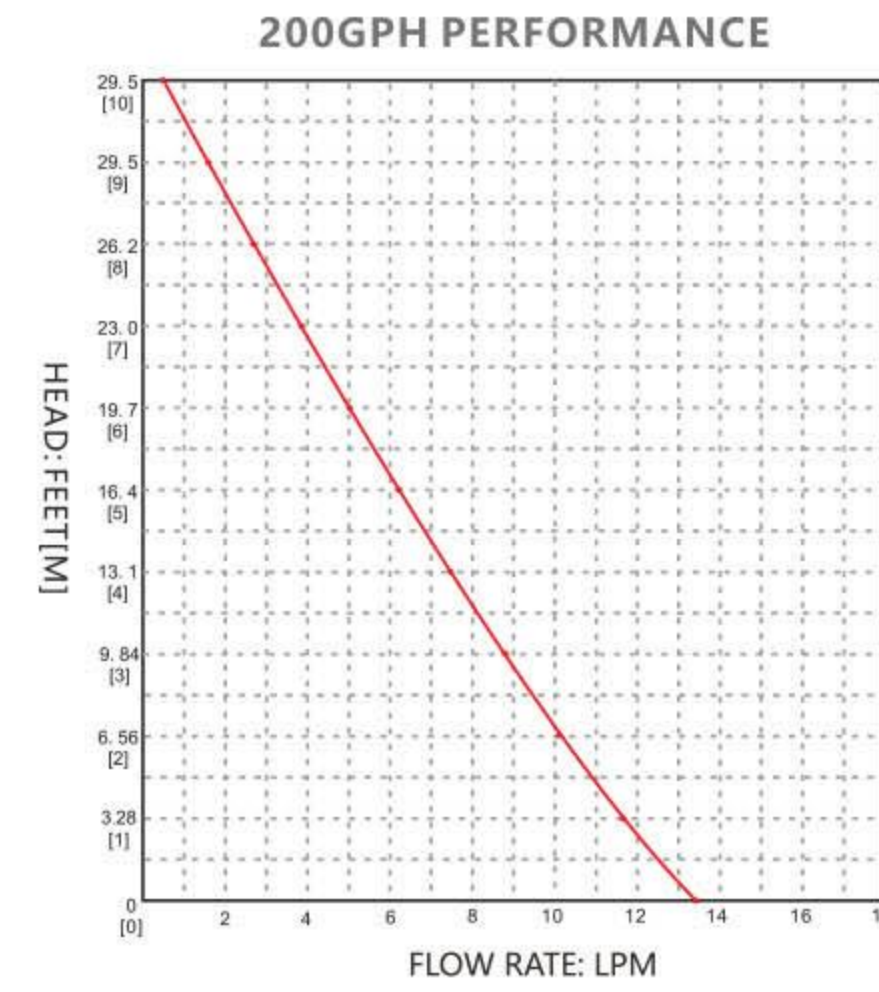
Color Box



Submersible And Line Pump 200 GPH

FEATURES & BENEFITS

- Able to pump 80 °C sea water
- Able to run about 20 minutes
- Portable to carry on
- Easy installation
- Intermittent duty



standard pump configurations

| Model | Flow Rate | Voltage | Max Draw | Fuse Amps | Head | Wire Lead | Outlet Dia. |
|----------------|-----------|---------|----------|-----------|-----------|-----------|-------------|
| SFSP1-G200-03B | 200 GPH | 12 V | 4.5 A | 7.5 A | 5 m/16.4' | 1 m/3' | 3/8" / 1/2" |

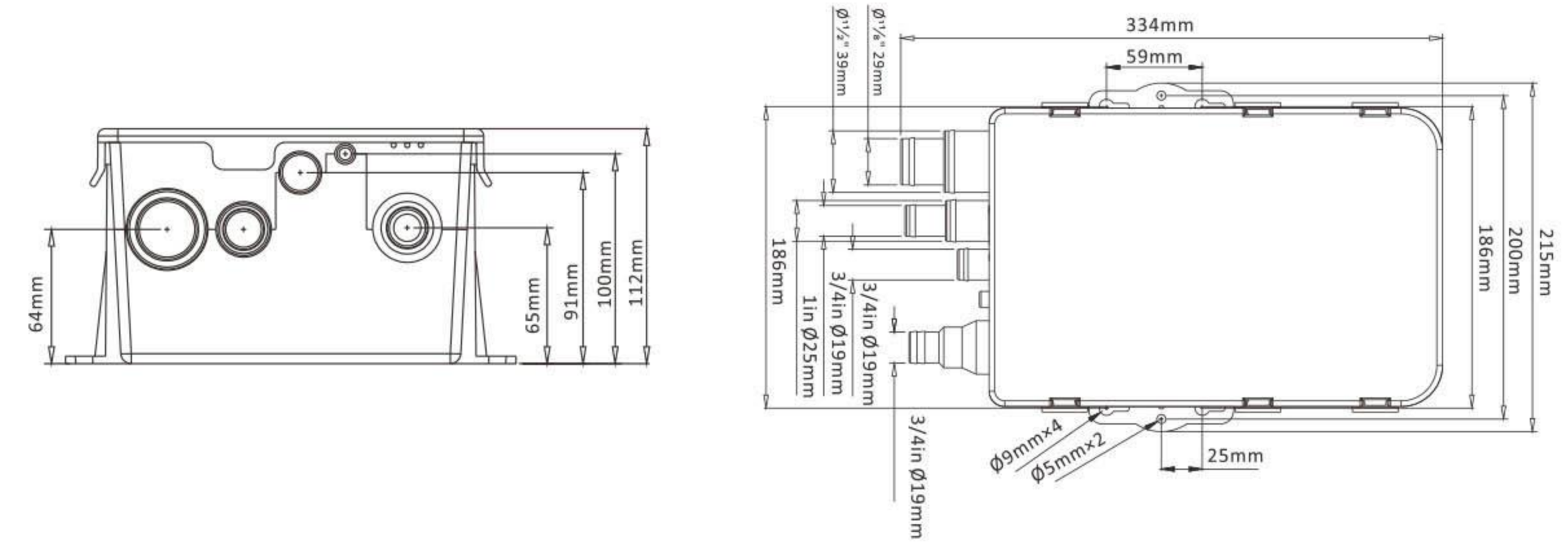
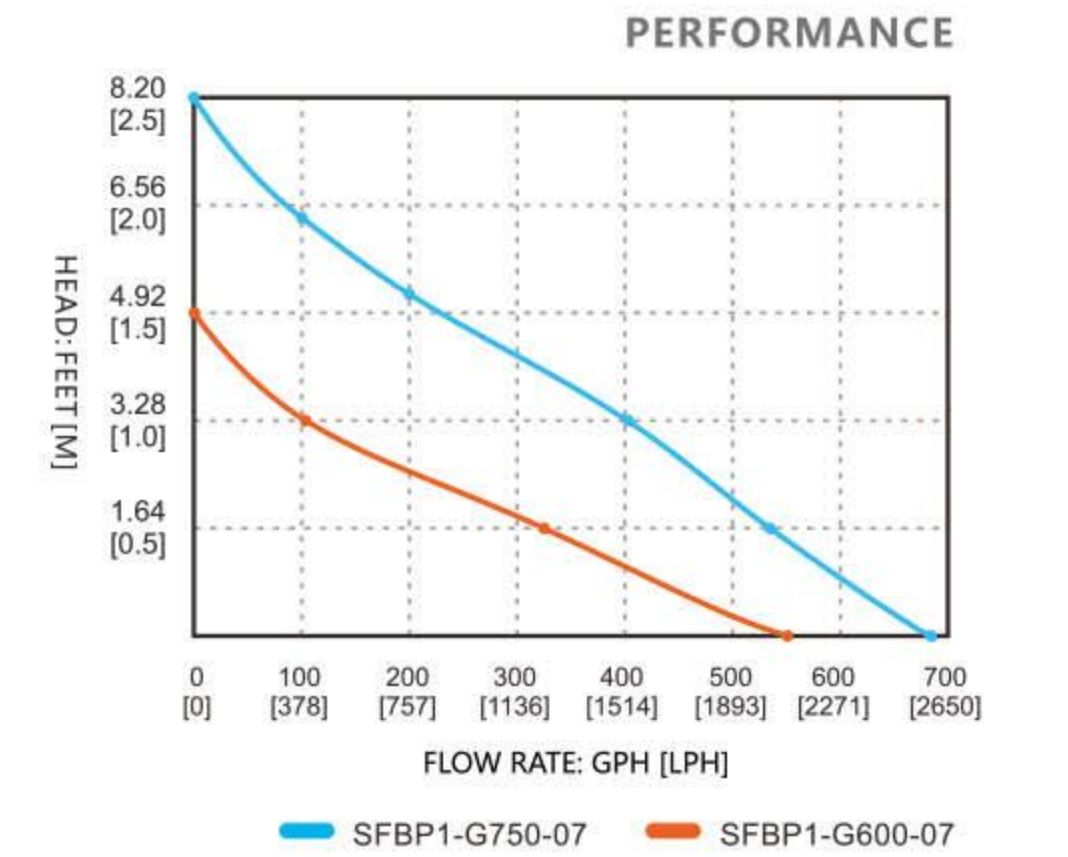
Shower Sump Pump System 600/750 GPH

FEATURES & BENEFITS

- Removable mesh filter allows easy cleaning
- Clear screw-down cover
- Check valve on outlet
- Ignition protected
- Handles waste water from more than one tapping point
- Easy installation
- Multiple inlet ports for versatile usage
- 18 AWG, 1 m long Leads

MOTOR

- Type**
Sealed, efficient, long life motor
- Duty Cycle**
Intermittent



Standard Pump Configurations

| Model | Flow rate | Volts | Current | Head | Wire lead | Outlet Dia. | N.W./G.W. |
|---------------|-----------|-------|---------|---------------|------------|-------------|--------------|
| SFBP1-G600-07 | 600 GPH | 12 V | 2.5 A | 2.5 m / 8.0' | 1 m / 3.0' | 19 mm/3/4" | 1.17/1.35 kg |
| SFBP2-G600-07 | 600 GPH | 24 V | 1.5 A | 2.5 m / 8.0' | 1 m / 3.0' | 19 mm/3/4" | 1.17/1.36 kg |
| SFBP1-G750-07 | 750 GPH | 12 V | 3.0 A | 3.0 m / 10.0' | 1 m / 3.0' | 19 mm/3/4" | 1.17/1.37 kg |
| SFBP2-G750-07 | 750 GPH | 24 V | 1.6 A | 3.0 m / 10.0' | 1 m / 3.0' | 19 mm/3/4" | 1.17/1.38 kg |

WATER PRESSURE SYSTEMS



Pressurized Accumulator Tanks



water inlet with water pressure regulator



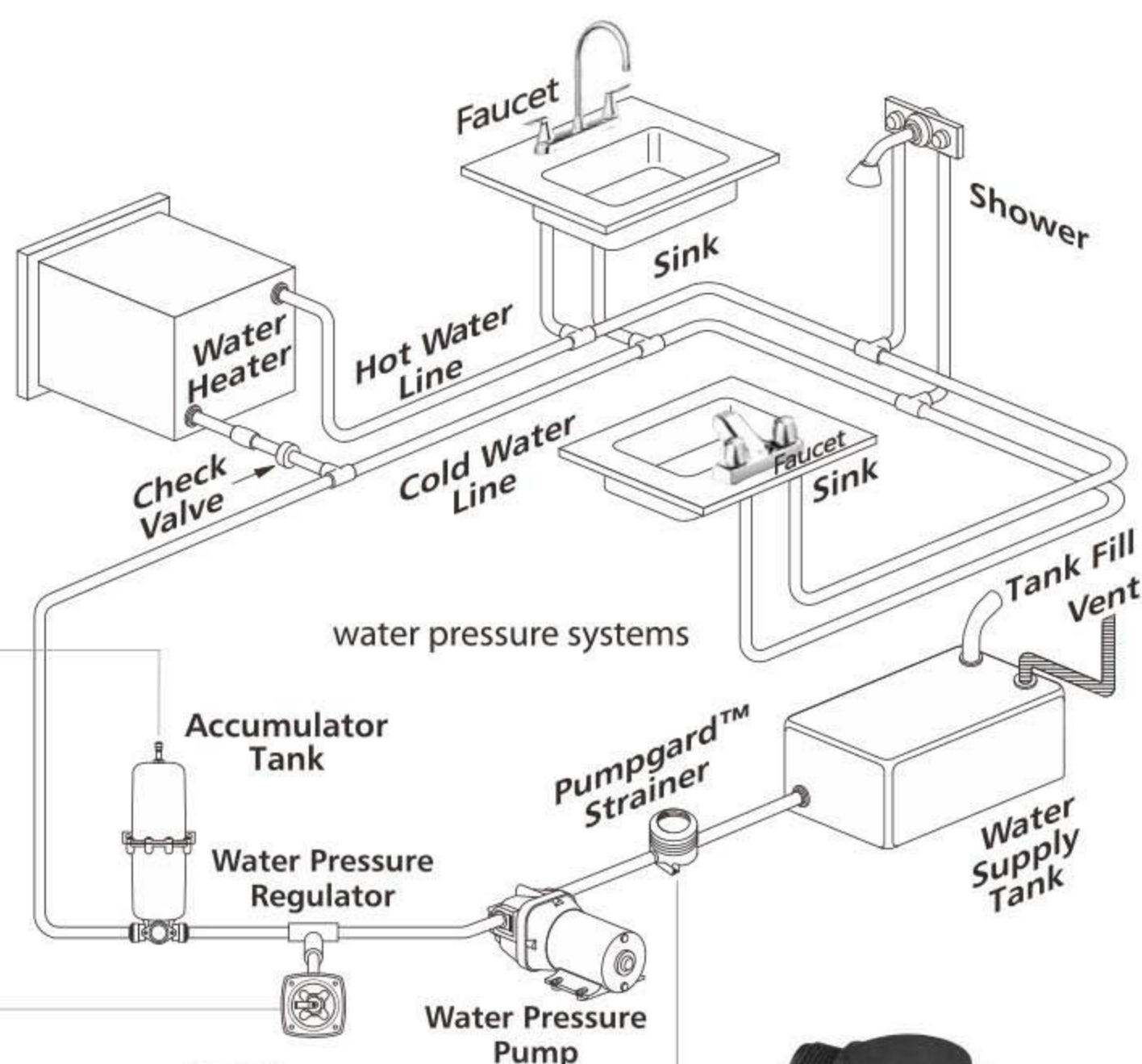
Accumulator Pressure Boost System



33 Series Fresh water pump



42 Series Fresh water pump



water pressure systems



51S01 Filter - 1/2" - 14 MNPT



52S02 Filter - 1/2" - 14 MNPT

SEAFLO is a leading manufacturer of plumbing products for Marine, RV, Agricultural, Industrial, Construction and OEM Applications. Our Fresh Water Pumps are of uncompromised quality, with proven reliability, and a vast variety of options. Our Diaphragm Pumps are available in DC and AC currents, in flows from 0.7 GPM up to 7.0 GPM which can serve 2 to 5 3/8" (10 mm) or 1/2" (13 mm) outlets. This automatic demand water system pump has a built-in pressure switch, which automatically starts and stops when the faucet is opened and closed. Our tough design provides performance that you can rely on for years. Quality fresh water pumps you can trust with and 2 year warranty.

Features & Benefits

- Positive displacement pump
- Capable of supplying 2-5 fixtures
- Internal bypass technology reduces cycling (22/42/43/51 series)
- Can run dry
- Quiet operation
- Demand pump
- Low amp draw
- Open flow from 1.0 gpm/3.8lpm to 7.0 gpm/26.5 lpm
- Pressure from 17 psi/1.2 bar to 70 psi/4.8 bar
- Self priming up to 6 feet/1.8 m
- Industry standard mount pattern
- Completely rubber & iron mounting-base
- Adjustable pressure switch
- Easy connect fittings and strainers
- Marine grade blocked wiring



Industry Carton

Color Box

Standard Accessories
23F001*2 (5/8" X 3/8")

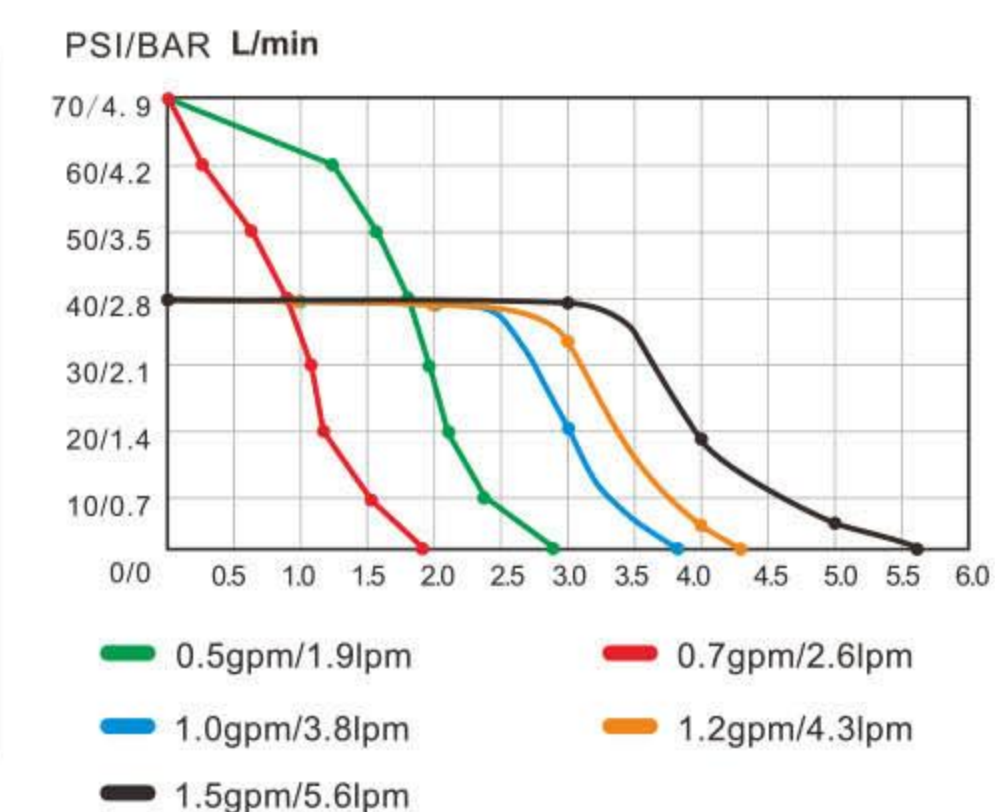
23A Series Water Pump

FEATURES & BENEFITS

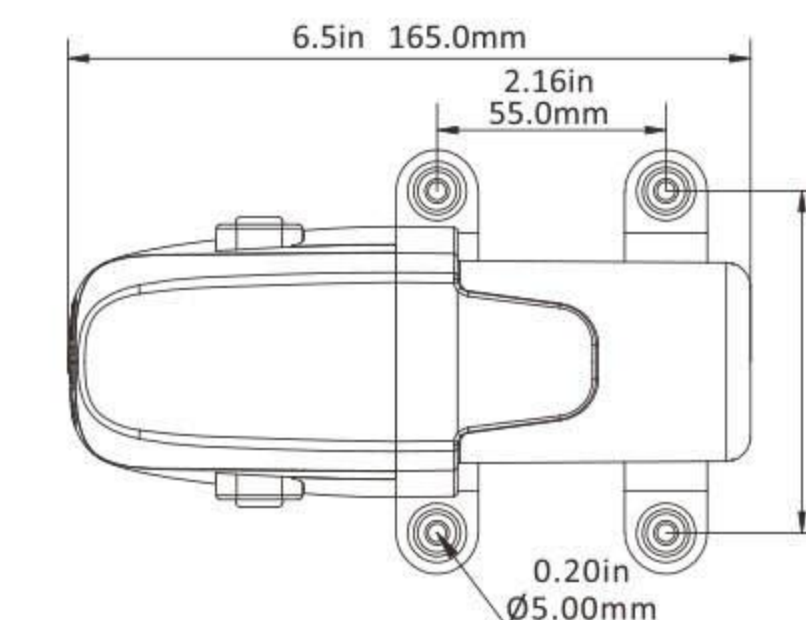
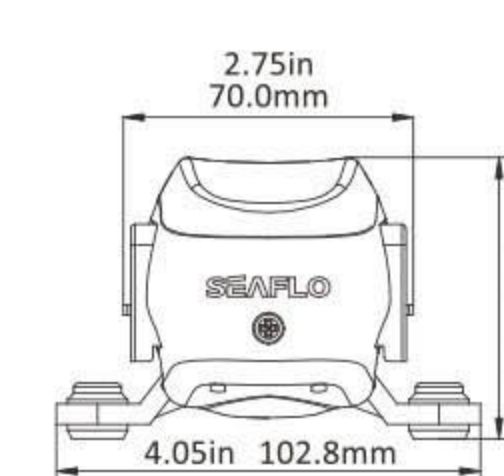
- Open flow up to 1.5gpm/5.6lpm
- Dry run capability
- Max Self-priming up to 5 feet/1.5m
- Waterproof grade IP54 with extra cover
- On-demand long life pressure switch
- Configurable reflux function
- Adapt to a variety of scenarios
- Multiple connector options
- By pass technology reduces cycling
- Ignition protected, CE, RoHS

PUMP

- Max Recommended Temperature 140 °F (60 °C) Max.
- Priming Capabilities
2 feet (0.6m) suction lift for 0.5 and 0.7gpm
5 feet (1.5m) suction lift for 1, 1.2 and 1.5gpm
- Inlet/Outlet Ports
5/8" quick connector
- Weight
1.54 lbs (0.7 kg)



Can match multiple 1/4" quick attach fittings to meet different requirements.



Standard Pump Configurations

| Model | Voltage | GPM/LPM | Control Type | Amps | PSI/BAR | Valves | Diaphragm | Ports |
|-------------------|---------|---------|------------------|--------|---------|--------|------------|-------------------|
| SFDP1-010-040-23A | 12V | 1.0/3.8 | Switch & By pass | 3.8Max | 40/2.8 | EPDM | Santoprene | 5/8" quick attach |
| SFDP2-010-040-23A | 24V | 1.0/3.8 | Switch & By pass | 2.0Max | 40/2.8 | EPDM | Santoprene | 5/8" quick attach |
| SFDP1-012-040-23A | 12V | 1.2/4.3 | Switch & By pass | 4.2Max | 40/2.8 | EPDM | Santoprene | 5/8" quick attach |
| SFDP2-012-040-23A | 24V | 1.2/4.3 | Switch & By pass | 2.2Max | 40/2.8 | EPDM | Santoprene | 5/8" quick attach |
| SFDP1-015-040-23A | 12V | 1.5/5.6 | Switch & By pass | 4.5Max | 40/2.8 | EPDM | Santoprene | 5/8" quick attach |
| SFDP2-015-040-23A | 24V | 1.5/5.6 | Switch & By pass | 2.5Max | 40/2.8 | EPDM | Santoprene | 5/8" quick attach |

Inquire about other configurations, or valve and diaphragm materials



NEW



NEW



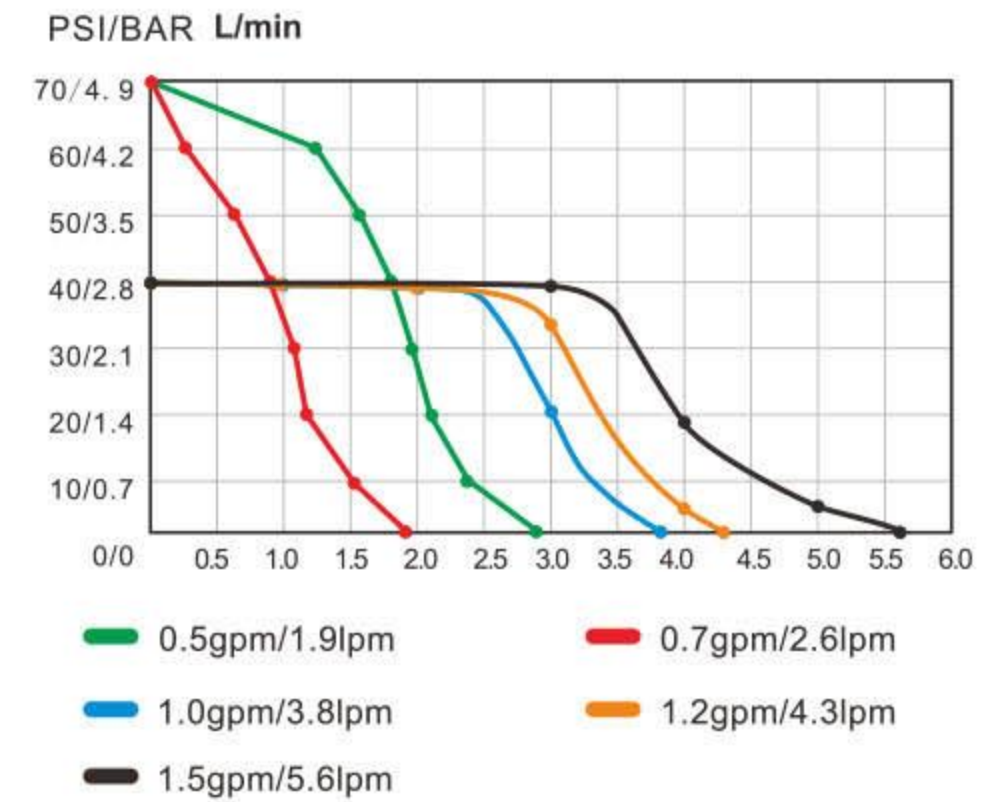
23B Series Water Pump

FEATURES & BENEFITS

- Open flow up to 1.5gpm/5.6lpm
- Dry run capability
- Max Self-priming up to 5 feet/1.5m
- Waterproof grade IP54 with extra cover
- On-demand long life pressure switch
- Configurable reflux function
- Adapt to a variety of scenarios
- Multiple connector options
- By pass technology reduces cycling
- Extra button for easy control
- Ignition protected, CE, UKCA, RoHS

PUMP

- Max Recommended Temperature**
140 °F (60 °C) Max.
- Priming Capabilities**
5 feet (1.5m) suction lift
- Inlet/Outlet Ports**
5/8" quick connector
- Weight**
1.54 lbs (0.7 kg)



The power adapter
Input voltage: AC100V-240V
Output voltage: 12V 3.A

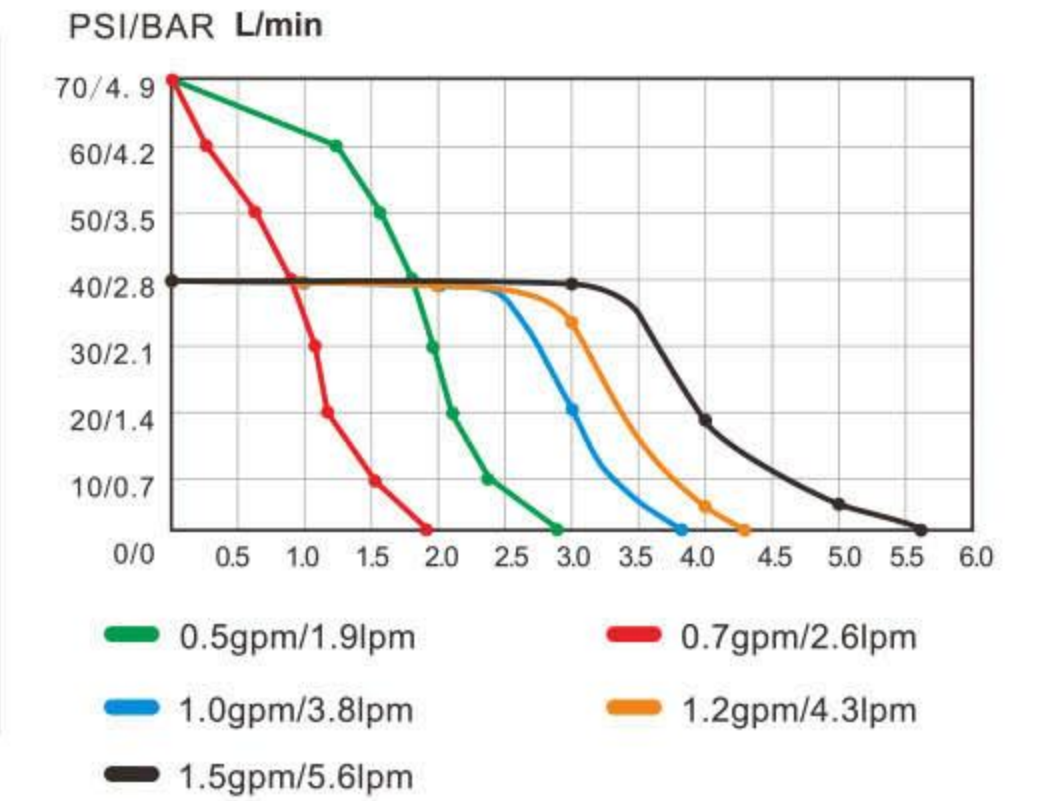
23C Series Water Pump

FEATURES & BENEFITS

- Continuous duty
- Can run dry
- Self-Priming
- Quite operation
- Long Life Pressure Switch
- Multiple ports available
- On-demand pressure switch
- Adjustable pressure setting
- Capable of supplying 1-2 fixtures
- By pass technology reduces cycling

PUMP

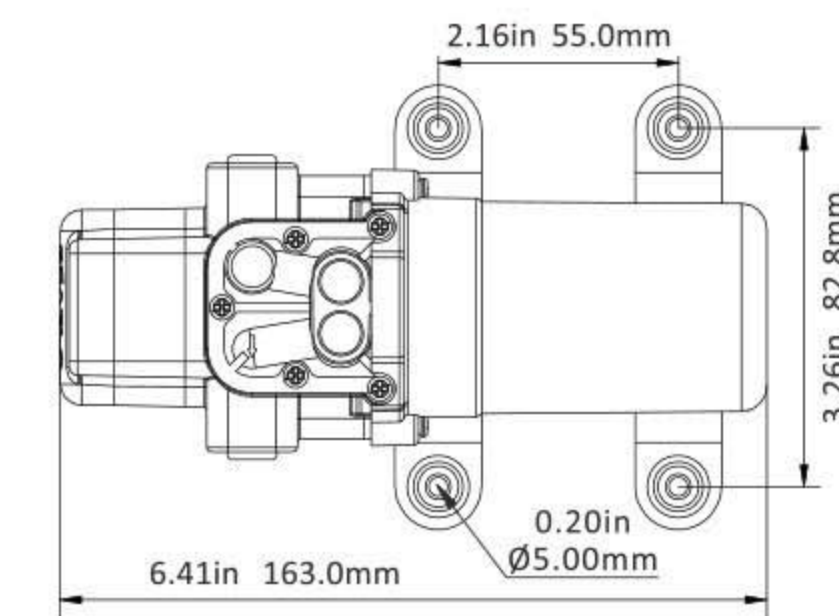
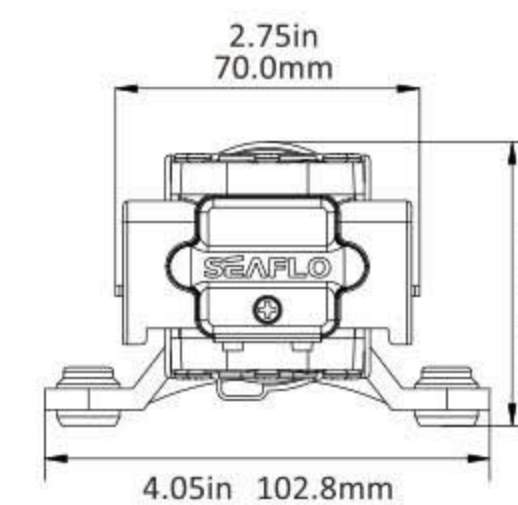
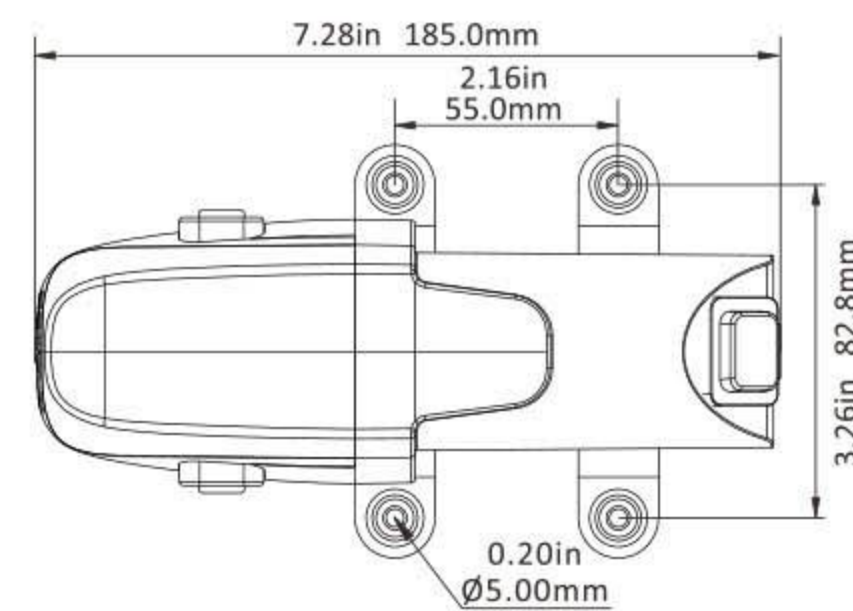
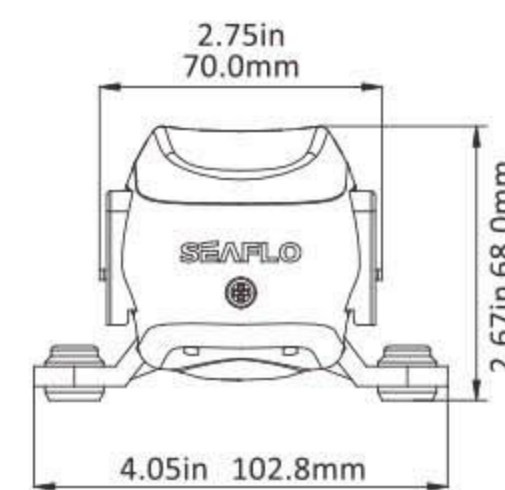
- Max Recommended Temperature**
140 °F (60 °C) Max.
- Priming Capabilities**
2.4 feet (0.8m) suction lift
- Inlet/Outlet Ports**
5/8" hose barb
(Custom O-Ring Outlets available)
- Weight**
1.54 lbs (0.7 kg)



Can match multiple 1/4" quick attach fittings to meet different requirements.



Optional Accessories



Can match multiple 1/4" quick attach fittings to meet different requirements.



Optional Accessories



Standard Pump Configurations

| Model | Voltage | GPM/LPM | Control Type | Amps(A) | PSI/BAR | Valves | Diaphragm | Ports |
|--------------------|-----------|------------|------------------|---------|---------|--------|------------|-------------------|
| SFDPAX-005-070-23B | 100V-240V | 0.5 / 1.89 | Switch & By pass | 1.8Max | 70/4.8 | EPDM | Santoprene | 5/8" quick attach |
| SFDPAX-007-070-23B | 100V-240V | 0.7 / 2.65 | Switch & By pass | 2.2Max | 70/4.8 | EPDM | Santoprene | 5/8" quick attach |
| SFDPAX-010-040-23B | 100V-240V | 1.0 / 3.8 | Switch & By pass | 2.5Max | 40/2.8 | EPDM | Santoprene | 5/8" quick attach |
| SFDPAX-012-040-23B | 100V-240V | 1.2 / 4.5 | Switch & By pass | 2.8Max | 40/2.8 | EPDM | Santoprene | 5/8" quick attach |
| SFDPAX-015-040-23B | 100V-240V | 1.5 / 5.6 | Switch & By pass | 3.0Max | 40/2.8 | EPDM | Santoprene | 5/8" quick attach |

Inquire about other configurations, or valve and diaphragm materials

Standard Pump Configurations

| Model | Voltage | GPM/LPM | Control Type | Amps(A) | PSI/BAR | Valves | Diaphragm | Ports |
|-------------------|---------|---------|------------------|---------|---------|--------|------------|-------------------|
| SFDP1-010-040-23C | 12V | 1.0/3.8 | Switch & By pass | 3.8Max | 40/2.8 | EPDM | Santoprene | 5/8" quick attach |
| SFDP2-010-040-23C | 24V | 1.0/3.8 | Switch & By pass | 2.0Max | 40/2.8 | EPDM | Santoprene | 5/8" quick attach |
| SFDP1-012-040-23C | 12V | 1.2/4.3 | Switch & By pass | 4.2Max | 40/2.8 | EPDM | Santoprene | 5/8" quick attach |
| SFDP2-012-040-23C | 24V | 1.2/4.3 | Switch & By pass | 2.2Max | 40/2.8 | EPDM | Santoprene | 5/8" quick attach |
| SFDP1-015-040-23C | 12V | 1.5/5.6 | Switch & By pass | 4.5Max | 40/2.8 | EPDM | Santoprene | 5/8" quick attach |
| SFDP2-015-040-23C | 24V | 1.5/5.6 | Switch & By pass | 2.5Max | 40/2.8 | EPDM | Santoprene | 5/8" quick attach |

Inquire about other configurations, or valve and diaphragm materials



21 Series Water Pump

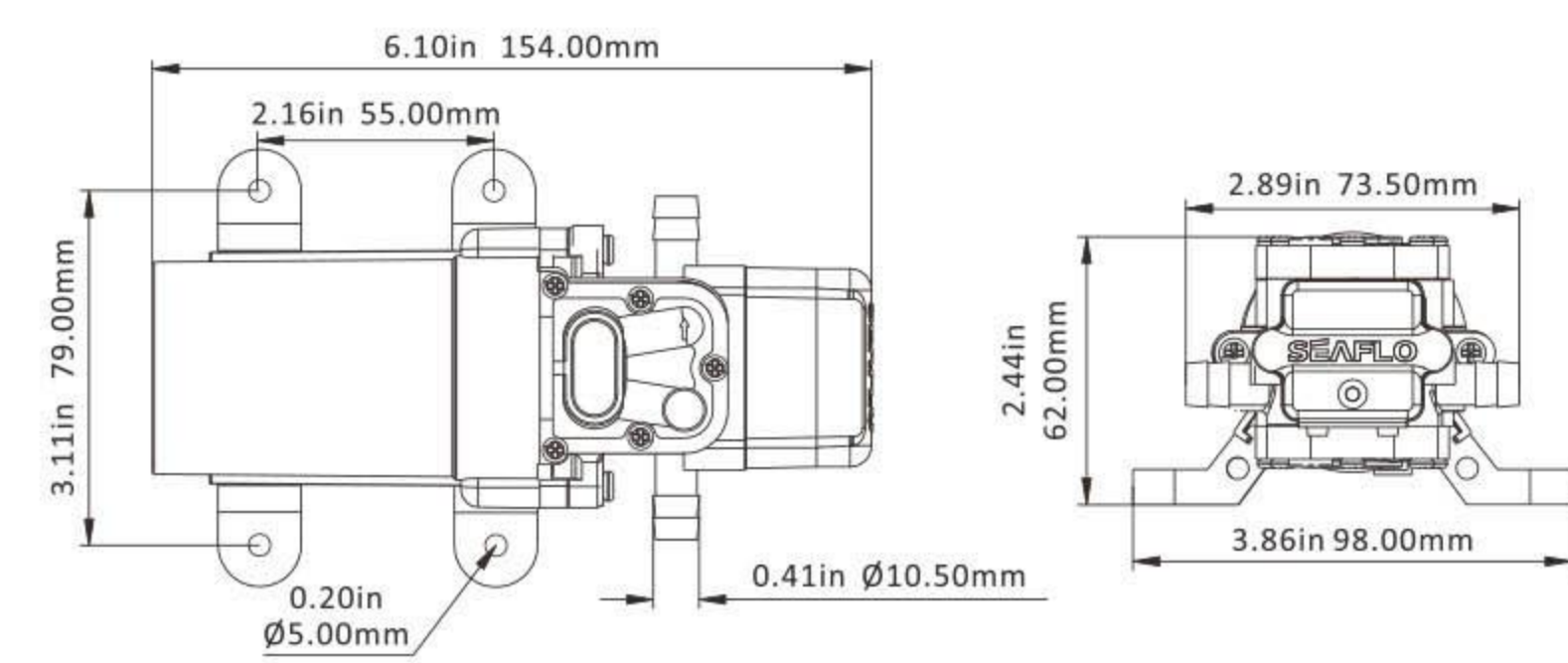
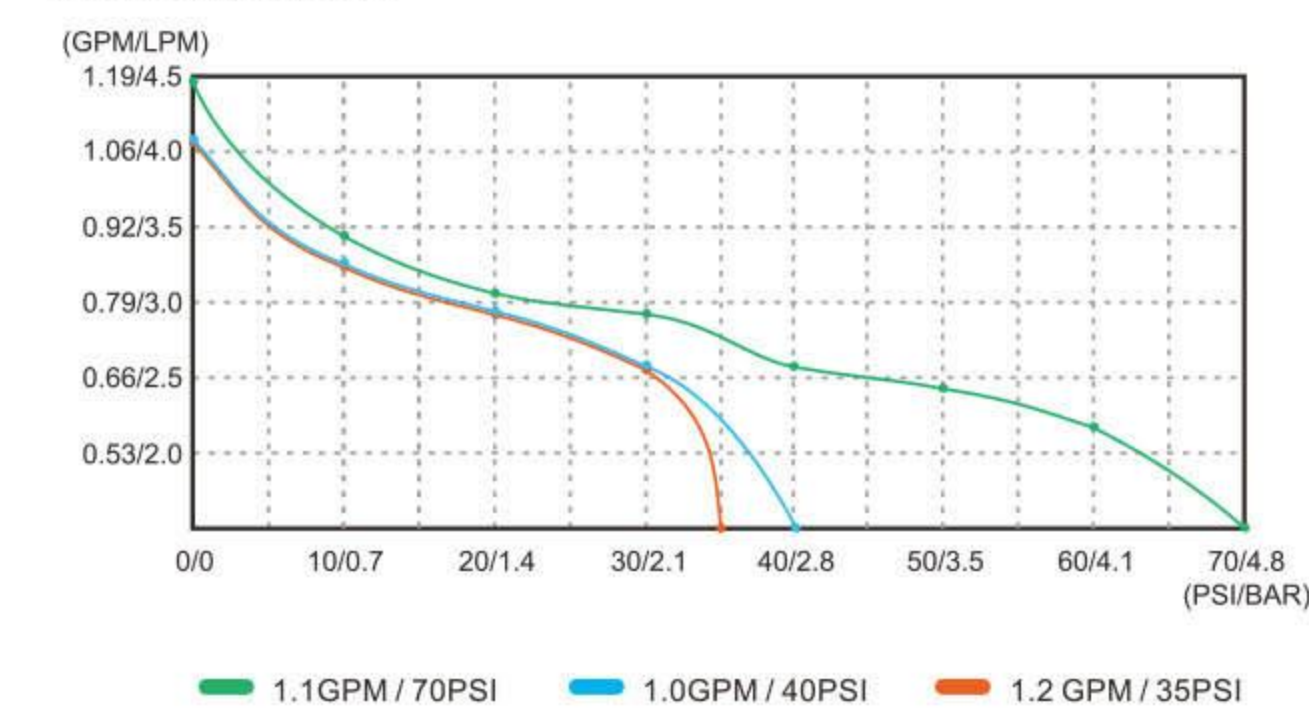
FEATURES & BENEFITS

- Capable of supplying 1-2 fixtures
- Compact design
- On-demand pressure switch
- Adjustable pressure setting
- Can run dry
- Quiet operation
- Industry standard mounting pattern
- 18 AWG, 13" (33 cm) long Leads

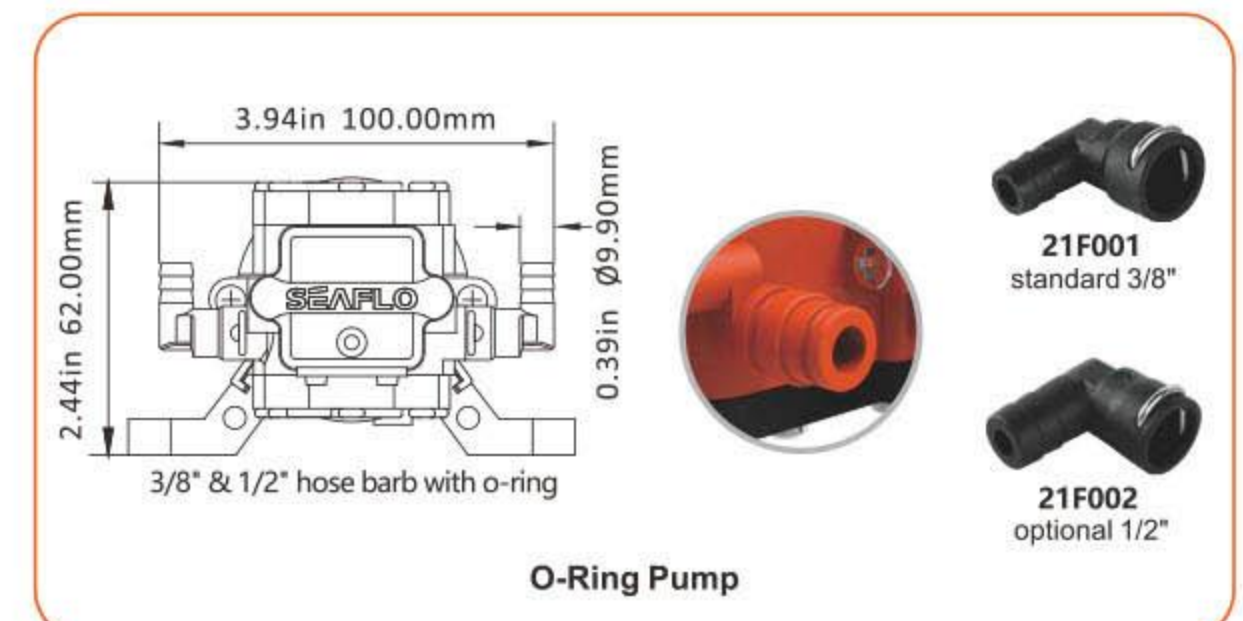
PUMP

- Max Recommended Temperature**
110 °F (43 °C) Max.
- Priming Capabilities**
4 feet (1.2 m) suction lift
- Inlet/Outlet Ports**
3/8" hose barb
(Custom O-Ring Outlets available)
- Weight**
1.25 lbs (0.57 kg)

PERFORMANCE



Standard Borrd Pump



O-Ring Pump

Standard Pump Configurations

| Model | Voltage | GPM/LPM | Control Type | Amps | PSI/BAR | Valves | Diaphragm | Ports |
|------------------|---------|---------|--------------|---------|---------|--------|------------|------------------------------|
| SFDP1-010-040-21 | 12 V | 1.0/3.8 | Switch | 4.0 MAX | 40/2.8 | EPDM | Santoprene | 3/8" Barb (or Custom O-Ring) |
| SFDP2-010-040-21 | 24 V | 1.0/3.8 | Switch | 2.0 MAX | 40/2.8 | EPDM | Santoprene | 3/8" Barb (or Custom O-Ring) |
| SFDP1-011-070-21 | 12V | 1.1/4.0 | Switch | 4.0 MAX | 70/4.8 | EPDM | Santoprene | 3/8" Barb (or Custom O-Ring) |
| SFDP1-012-035-21 | 12 V | 1.2/4.3 | Switch | 4.0 MAX | 35/2.4 | EPDM | Santoprene | 3/8" Barb (or Custom O-Ring) |
| SFDP2-012-035-21 | 24V | 1.2/4.3 | Switch | 2.0 MAX | 35/2.4 | EPDM | Santoprene | 3/8" Barb (or Custom O-Ring) |

Inquire about other configurations, or valve and diaphragm materials

22 Series Water Pump

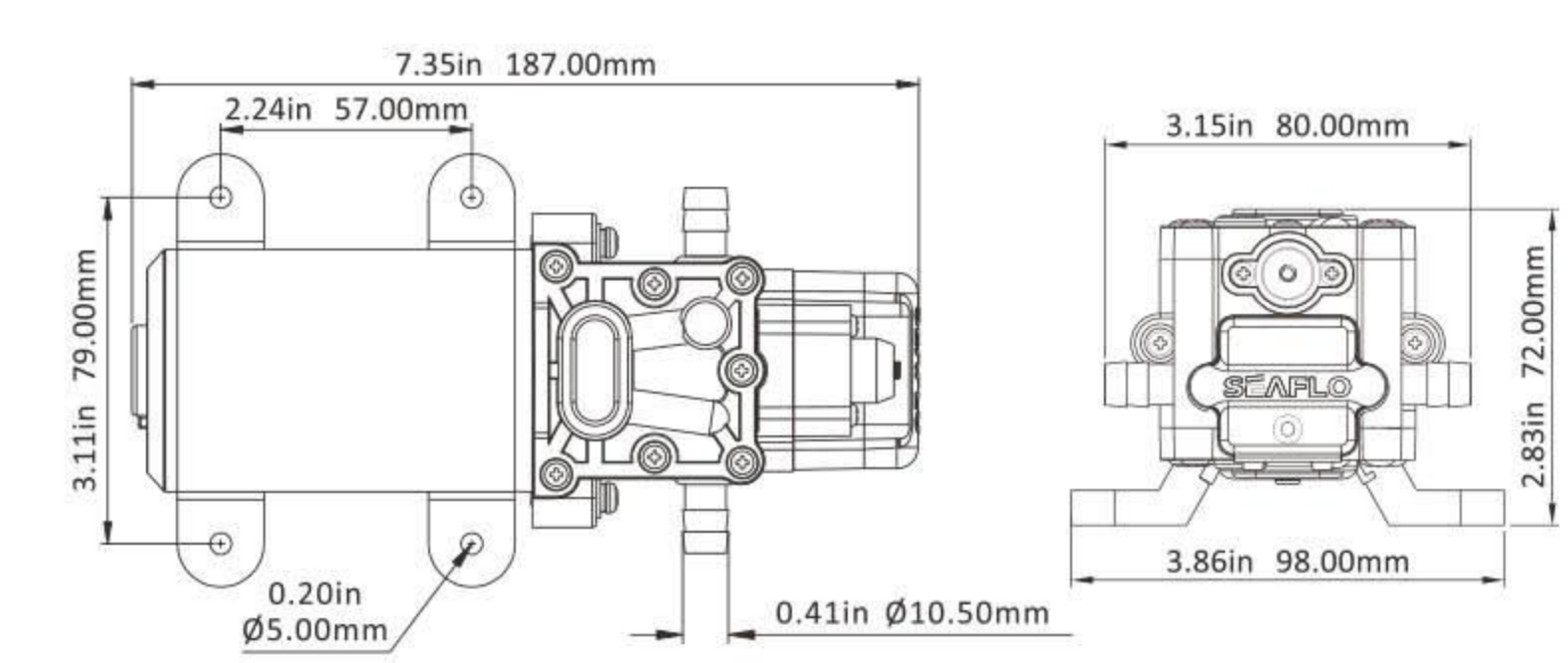
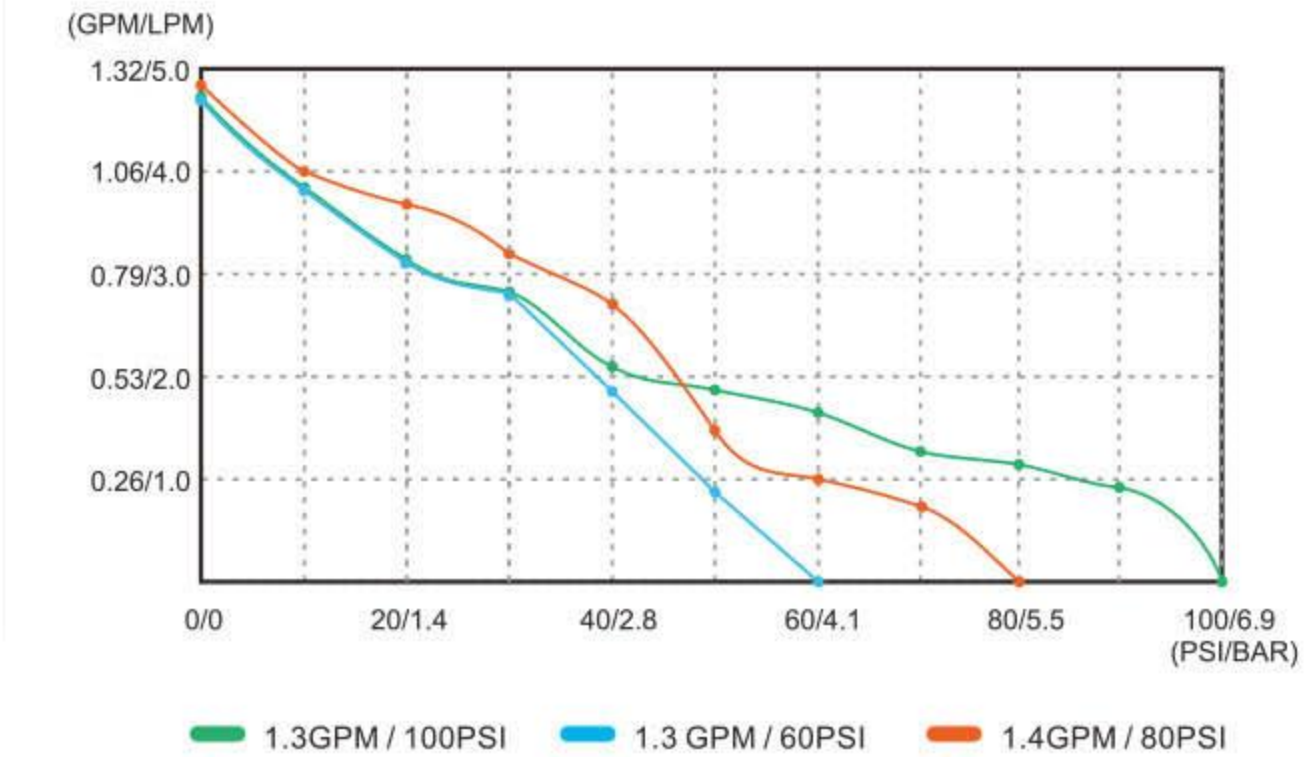
FEATURES & BENEFITS

- Continuous Duty
- Capable of supplying 1-2 fixtures
- By-pass technology reduces cycling
- On-demand pressure switch
- Adjustable pressure setting
- Capable of up to 100 PSI
- Can run dry
- Quiet operation
- 18 AWG, 9.5" (24 cm) long Leads

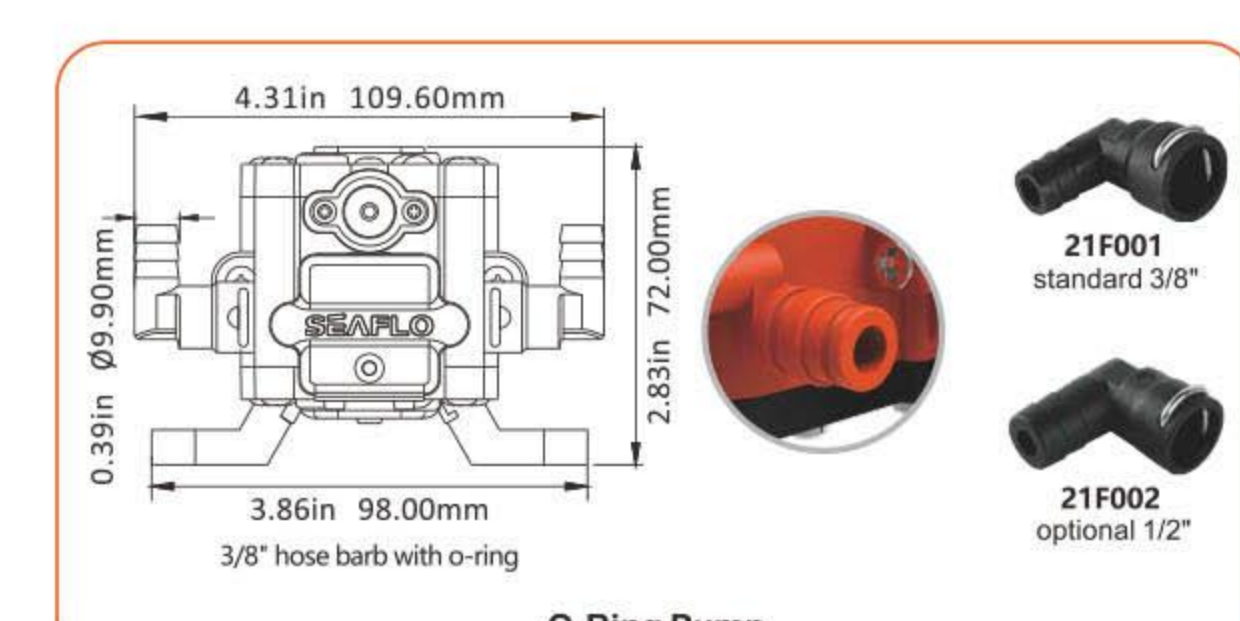
PUMP

- Max Recommended Temperature**
110 °F (43 °C) Max.
- Priming Capabilities**
6 feet (1.8 m) suction lift
- Inlet/Outlet Ports**
3/8" hose barb
(Custom O-Ring Outlets available)
- Weight**
2.6 lbs (1.18 kg)

PERFORMANCE



Standard Borrd Pump



O-Ring Pump

Standard Pump Configurations

| Model | Voltage | GPM/LPM | Control Type | Amps | PSI/BAR | Valves | Diaphragm | Ports |
|------------------|---------|---------|------------------|---------|---------|--------|------------|------------------------------|
| SFDP1-013-060-22 | 12 V | 1.3/5.0 | Switch & By pass | 5.0 MAX | 60/4.1 | EPDM | Santoprene | 3/8" Barb (or Custom O-Ring) |
| SFDP2-013-060-22 | 24 V | 1.3/5.0 | Switch & By pass | 2.5 MAX | 60/4.1 | EPDM | Santoprene | 3/8" Barb (or Custom O-Ring) |
| SFDP1-013-100-22 | 12 V | 1.3/5.0 | Switch & By pass | 6.0 MAX | 100/6.9 | EPDM | Santoprene | 3/8" Barb (or Custom O-Ring) |
| SFDP2-013-100-22 | 24 V | 1.3/5.0 | Switch & By pass | 3.0 MAX | 100/6.9 | EPDM | Santoprene | 3/8" Barb (or Custom O-Ring) |
| SFDP1-014-080-22 | 12 V | 1.4/5.1 | Switch & By pass | 5.5 MAX | 80/5.5 | EPDM | Santoprene | 3/8" Barb (or Custom O-Ring) |

Inquire about other configurations, or valve and diaphragm materials



33 Series Water Pump

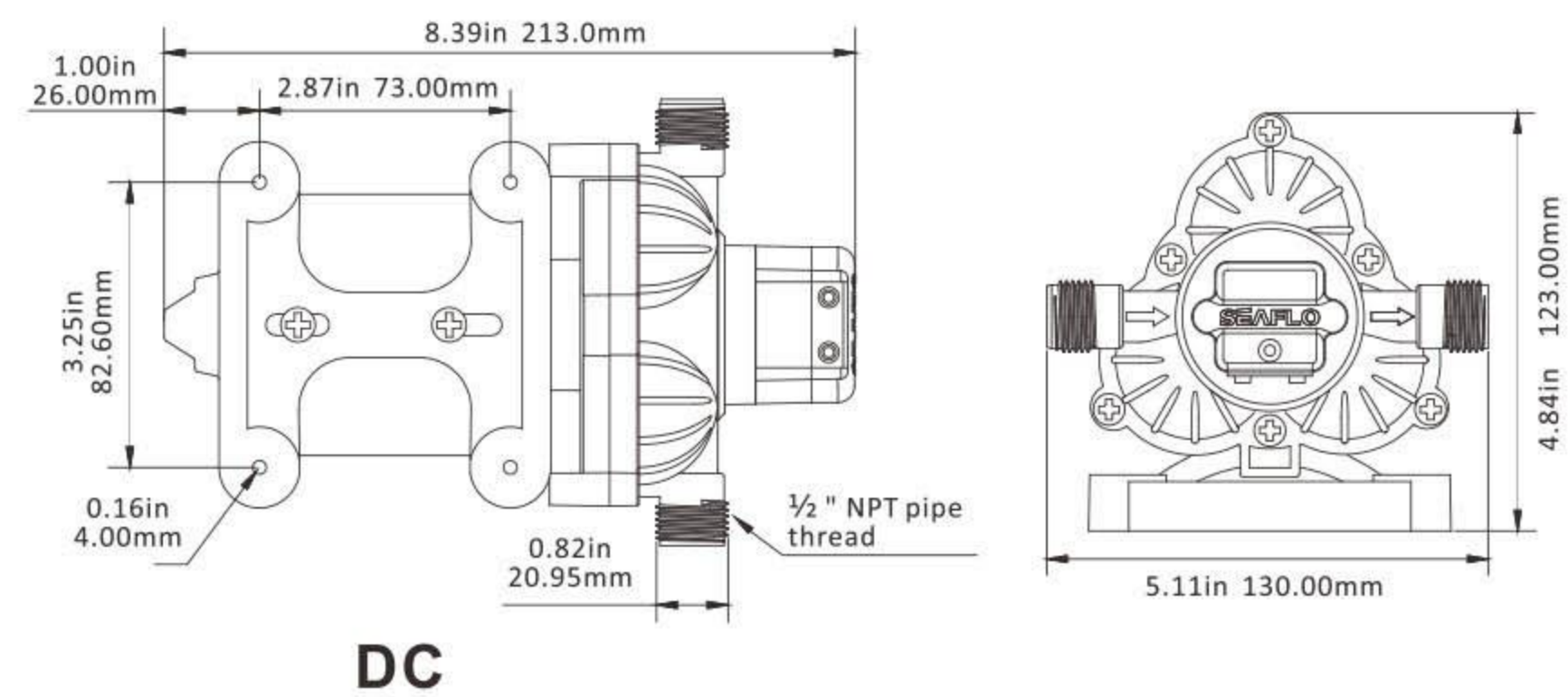
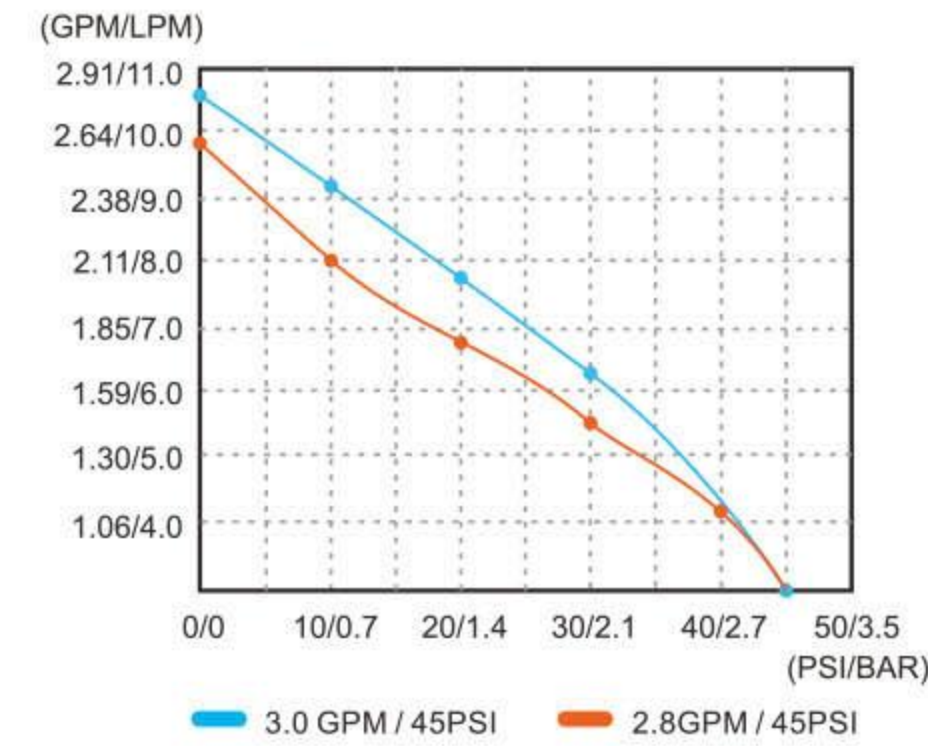
FEATURES & BENEFITS

- Capable of supplying 2-3 fixtures
- Up to 3.0 GPM
- Self priming
- Run dry safe
- Quiet operation
- On-demand use
- Industry Standard mounting pattern
- Completely rubber mounting-base
- Adjustable pressure switch
- 16 AWG, 4.5"(11.4 cm) long Leads

PUMP

- Max Recommended Temperature**
140 °F (60 °C) Max.
- Priming Capabilities**
6 feet (1.8 m) suction lift
- Inlet/Outlet Ports**
1/2"-14 MNPT
- Weight**
3.97 lbs (1.80 kg)

PERFORMANCE



Standard Pump Configurations

| Model | Voltage | Control Type | GPM/LPM | PSI/BAR | Max Draw(A) | Valves | Diaphragm | Ports | Wire Connections |
|-------------------|---------|--------------|----------|---------|-------------|--------|------------|--------------|------------------|
| SFDP1-028-045-33 | 12 V | Switch | 2.8/10.6 | 45/3.1 | 5.61 | EPDM | Santoprene | 1/2"-14 MNPT | 2-Pin/Leads |
| SFDP2-028-045-33 | 24 V | Switch | 2.8/10.6 | 45/3.1 | 3.02 | EPDM | Santoprene | 1/2"-14 MNPT | 2-Pin/Leads |
| SFDP1-030-045-33 | 12 V | Switch | 3.0/11.3 | 45/3.1 | 6.74 | EPDM | Santoprene | 1/2"-14 MNPT | 2-Pin/Leads |
| SFDP2-030-045-33 | 24 V | Switch | 3.0/11.3 | 45/3.1 | 3.40 | EPDM | Santoprene | 1/2"-14 MNPT | 2-Pin/Leads |
| SFDPA1-030-045-33 | 115 V | Demand | 3.0/11.3 | 45/3.1 | 1.60 | EPDM | Santoprene | 1/2"-14 MNPT | Leads/Plug |
| SFDPA2-030-045-33 | 220 V | Demand | 3.0/11.3 | 45/3.1 | 0.80 | EPDM | Santoprene | 1/2"-14 MNPT | Leads/Plug |

43 Series Water Pump

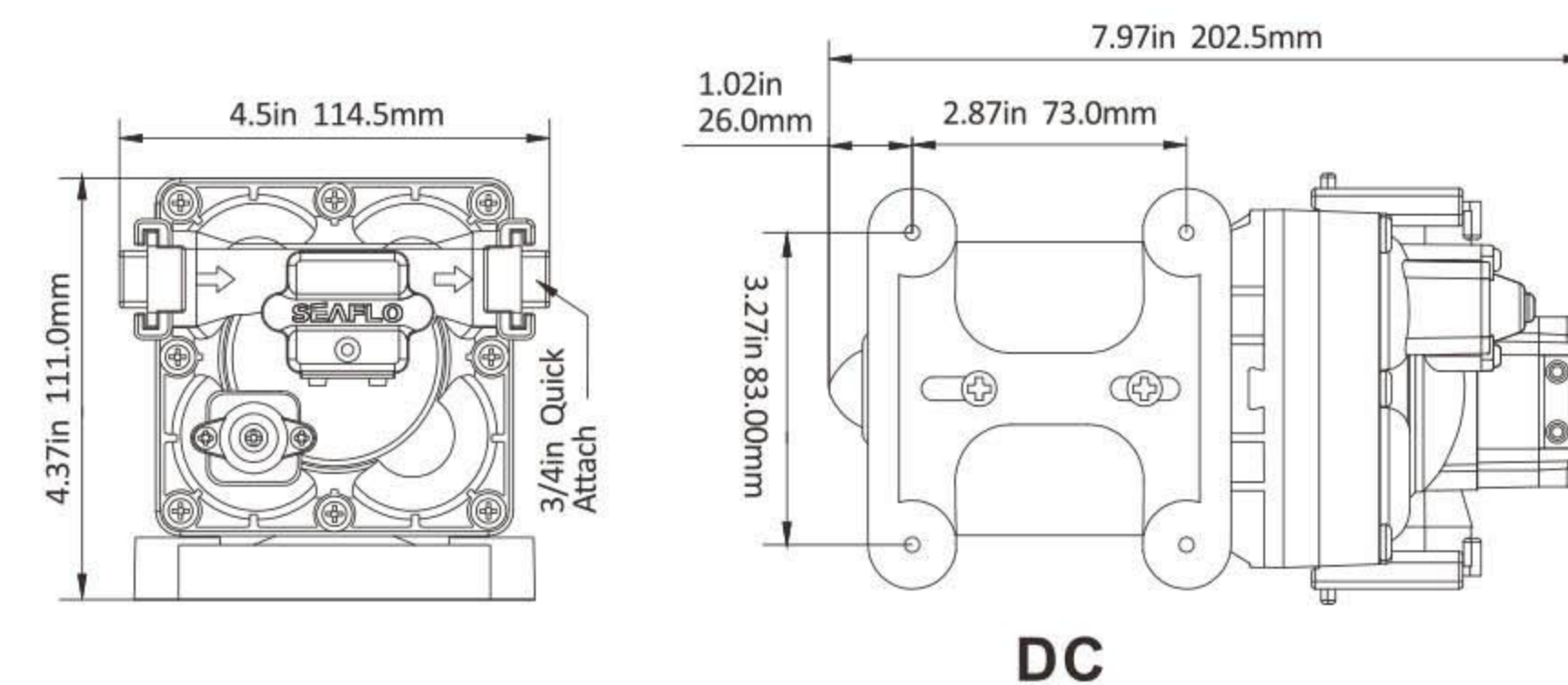
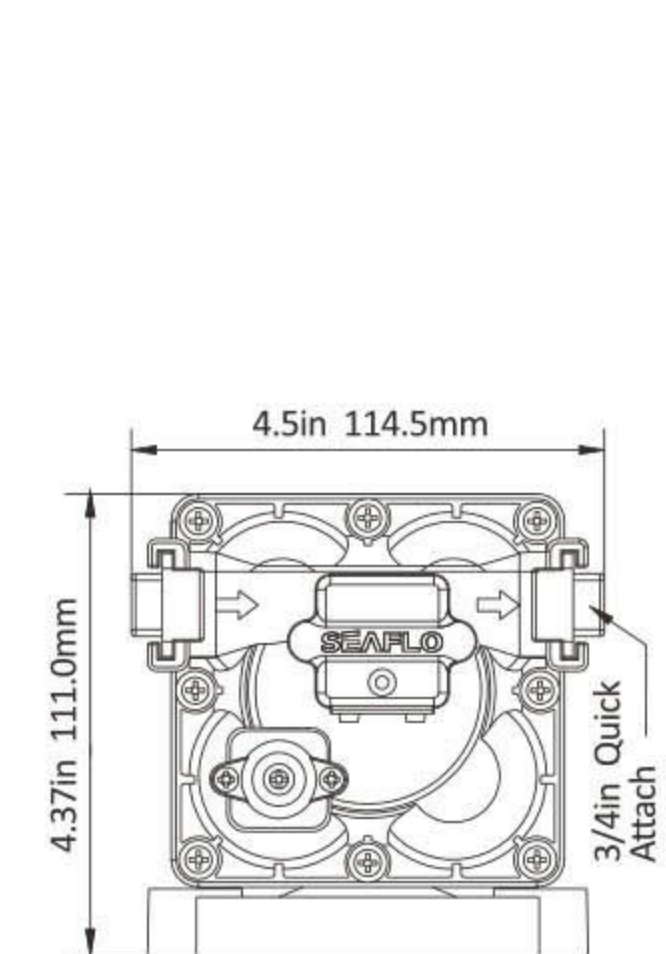
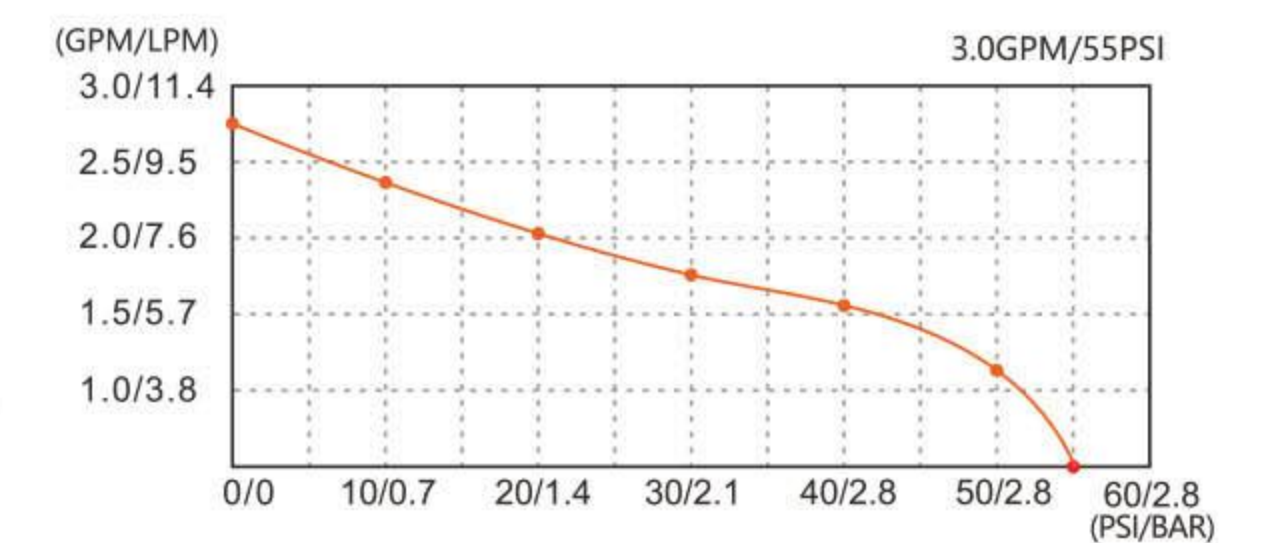
FEATURES & BENEFITS

- Up to 3.0 GPM
- Quick-Connect fittings
- Self priming
- Run dry safe
- Quiet operation
- On-demand use
- Industry Standard mounting pattern
- Completely rubber mounting-base Internal bypass technology reduces cycling
- 16 AWG, 9.4"(23.8 cm) long Leads

PUMP

- Max Recommended Temperature**
140 °F (60 °C) Max.
- Priming Capabilities**
6 feet (1.8 m) suction lift
- Inlet/Outlet Ports**
Quick Attach
- Weight**
4.1 lbs (1.90 kg)

PERFORMANCE



Standard Pump Configurations

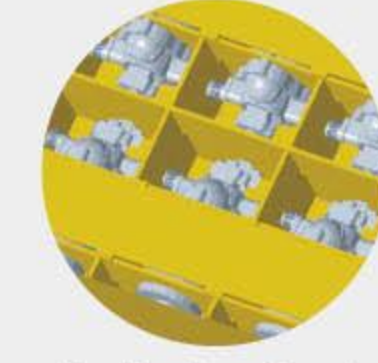
| Model | Voltage | Control Type | GPM/LPM | PSI/BAR | Max Draw(A) | Valves | Diaphragm | Ports | Wire Connections |
|-------------------|---------|------------------|----------|---------|-------------|--------|------------|--------------|------------------|
| SFDP1-030-055-43 | 12 V | Switch & By pass | 3.0/11.3 | 55/3.8 | 6.86 | EPDM | Santoprene | Quick Attach | 2-Pin/Leads |
| SFDP2-030-055-43 | 24 V | Switch & By pass | 3.0/11.3 | 55/3.8 | 3.48 | EPDM | Santoprene | Quick Attach | 2-Pin/Leads |
| SFDPA1-030-055-43 | 115 V | Switch & By pass | 3.0/11.3 | 55/3.8 | 1.10 | EPDM | Santoprene | Quick Attach | Leads/Plug |
| SFDPA2-030-055-43 | 220 V | Switch & By pass | 3.0/11.3 | 55/3.8 | 0.50 | EPDM | Santoprene | Quick Attach | Leads/Plug |



Industry Carton



Color Box



Industry Carton



Color Box



41 Series (short) Water Pump

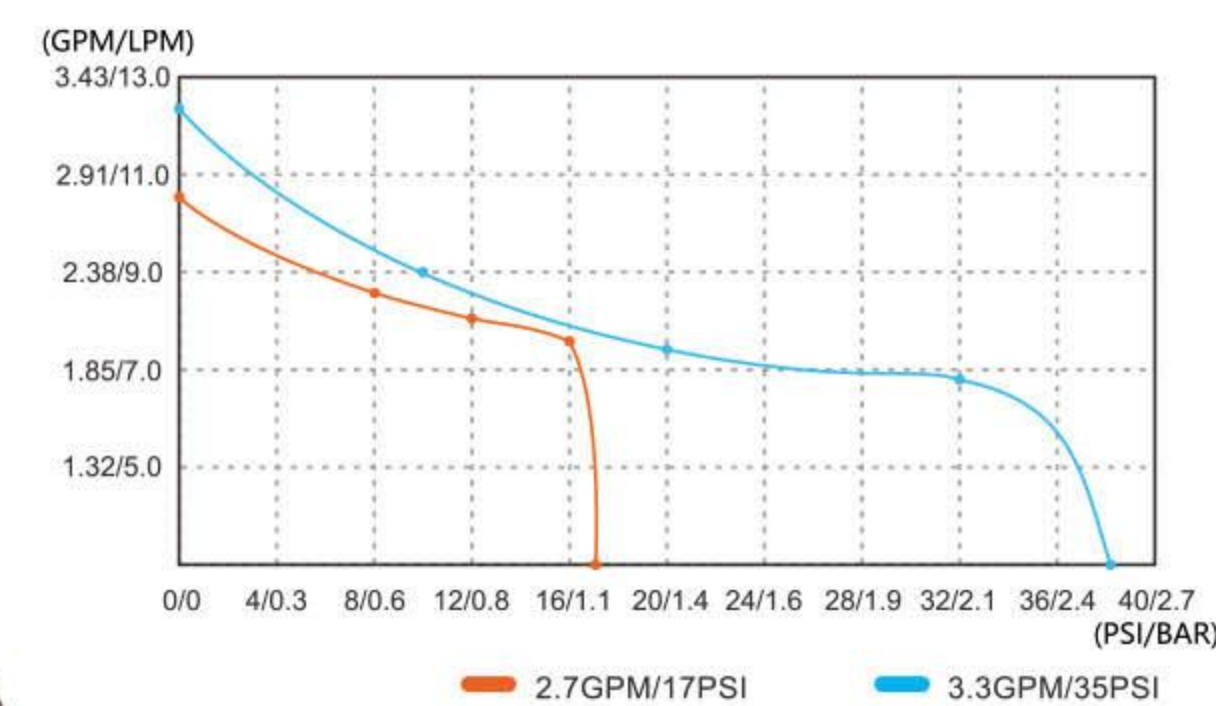
FEATURES & BENEFITS

- Up to 3.3 GPM
- Can supply up to 3 fixtures
- Quick-Connect fittings
- Self priming
- Run dry safe
- On-demand use
- Industry Standard mounting pattern
- Rubber mounting-feet
- Can be used for Fresh & Salt Water
- 16 AWG, 4.5" (11.4 cm) long Leads

PUMP

- Max Recommended Temperature**
140 °F (60 °C) Max.
- Priming Capabilities**
6 feet (1.8 m) suction lift
- Inlet/Outlet Ports**
Quick Attach
- Weight**
4.0 lbs (1.80 kg)

PERFORMANCE



41short-AC Pump

Standard Accessories

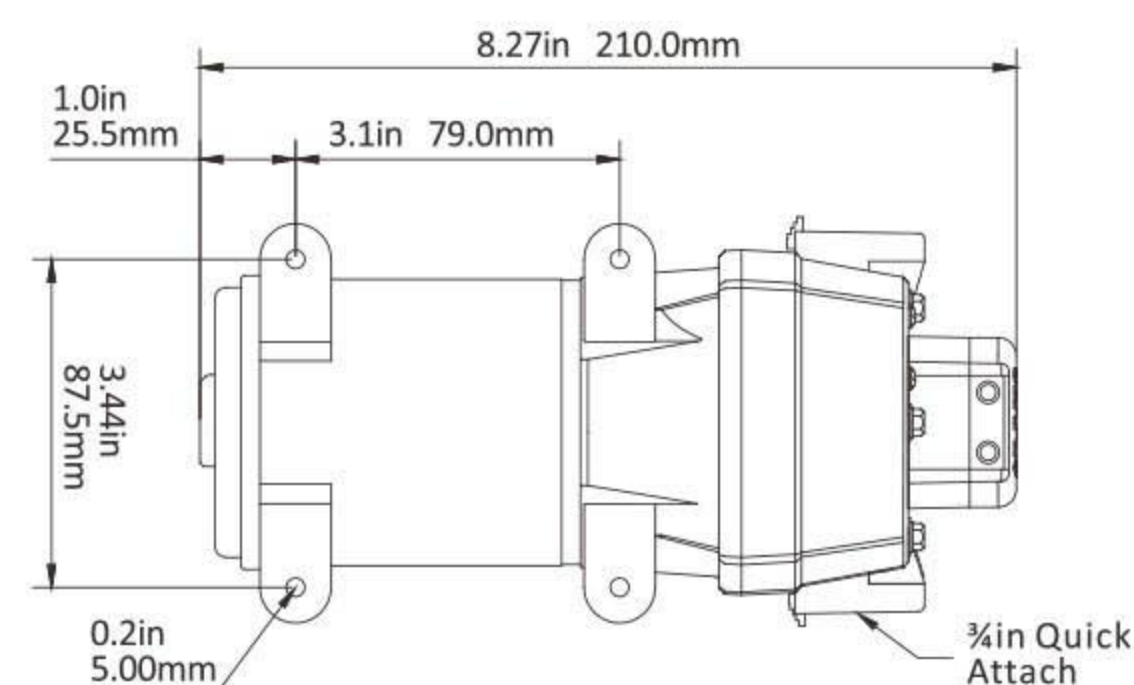


41F001

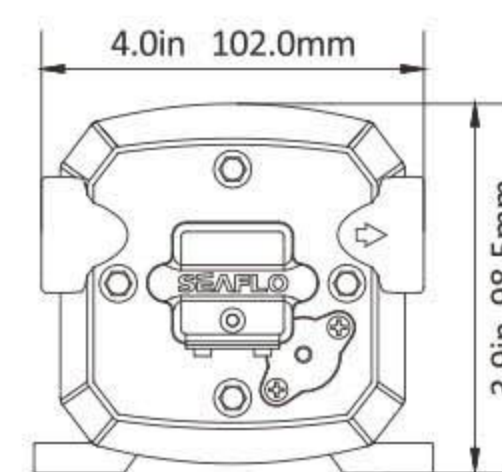
41F003

41F004

52S02



DC



Standard Pump Configurations

| Model | Voltage | Control Type | GPM/LPM | PSI/BAR | Max Draw(A) | Valves | Diaphragm | Ports | Wire Connections |
|-------------------|---------|------------------|----------|---------|-------------|--------|------------|--------------|------------------|
| SFDP1-027-017-41 | 12 V | Switch & By pass | 2.7/10.0 | 17/1.2 | 4.43 | EPDM | Santoprene | Quick Attach | 2-Pin/Leads |
| SFDP2-027-017-41 | 24 V | Switch & By pass | 2.7/10.0 | 17/1.2 | 2.34 | EPDM | Santoprene | Quick Attach | 2-Pin/Leads |
| SFDP1-033-035-41 | 12 V | Switch & By pass | 3.3/12.5 | 35/2.4 | 8.50 | EPDM | Santoprene | Quick Attach | 2-Pin/Leads |
| SFDP2-033-035-41 | 24 V | Switch & By pass | 3.3/12.5 | 35/2.4 | 4.48 | EPDM | Santoprene | Quick Attach | 2-Pin/Leads |
| SFDPA1-033-035-41 | 115 V | Demand & By pass | 3.3/12.5 | 35/2.4 | 1.25 | Viton | Santoprene | Quick Attach | Leads/Plug |
| SFDPA2-033-035-41 | 220 V | Demand & By pass | 3.3/12.5 | 35/2.4 | 0.55 | Viton | Santoprene | Quick Attach | Leads/Plug |

41 Series (long) Water Pump

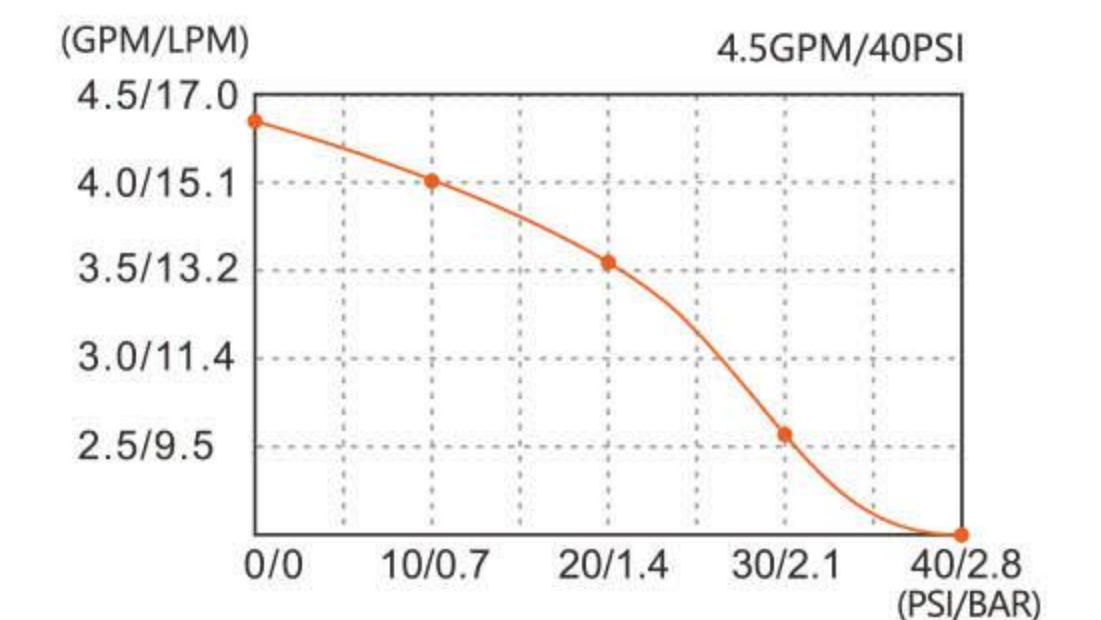
FEATURES & BENEFITS

- Up to 4.5 GPM
- Can supply up to 4 fixtures
- Quick-Connect fittings
- Self priming
- Run dry safe
- On-demand use
- Industry Standard mounting pattern
- Rubber mounting-feet
- Can be used for Fresh & Salt Water
- Adjustable pressure switch
- 16 AWG, 4.5" (11.4 cm) long Leads

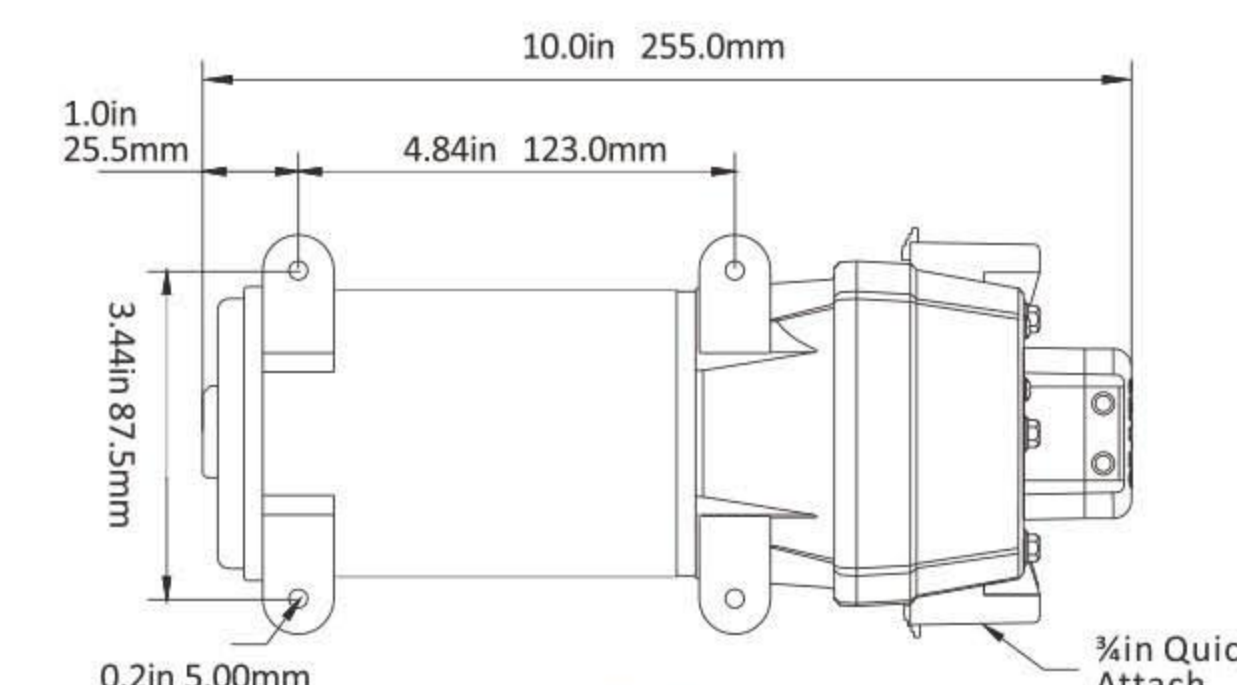
PUMP

- Max Recommended Temperature**
140 °F (60 °C) Max.
- Priming Capabilities**
6 feet (1.8 m) suction lift
- Inlet/Outlet Ports**
Quick Attach
- Weight**
5.0 lbs (2.30 kg)

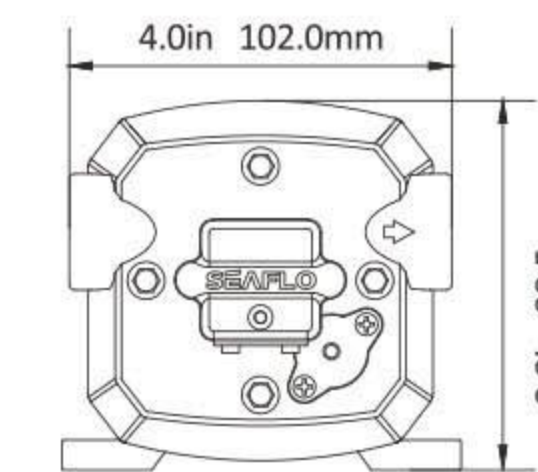
PERFORMANCE



41long-AC Pump



DC



Standard Accessories



41F001

41F003

41F004

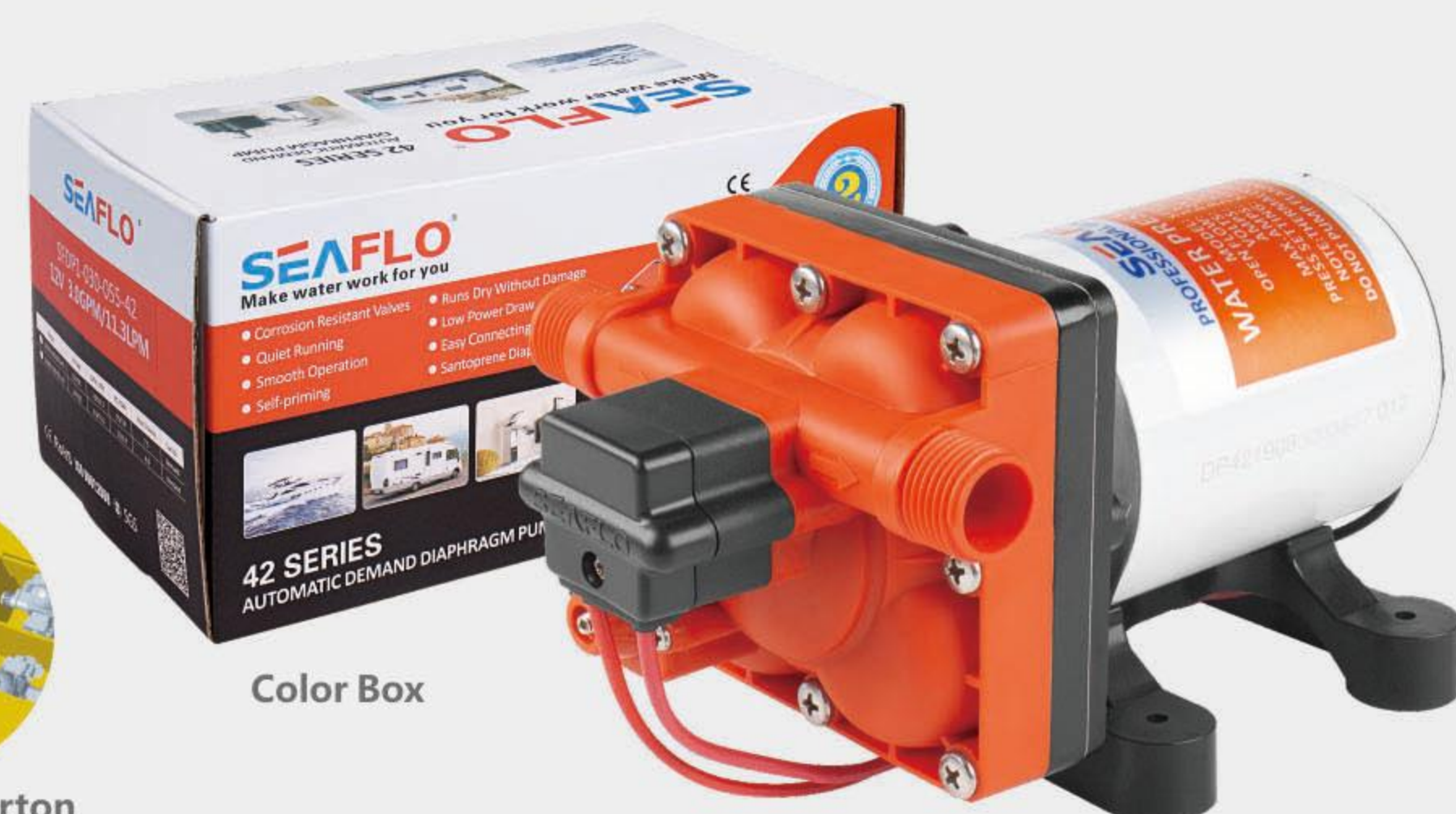
52S02

Standard Pump Configurations

| Model | Voltage | Control Type | GPM/LPM | PSI/BAR | Max Draw(A) | Valves | Diaphragm | Ports | Wire Connections |
|-------------------|---------|------------------|----------|---------|-------------|--------|------------|--------------|------------------|
| SFDP1-045-040-41 | 12 V | Switch & By pass | 4.5/17.0 | 40/2.8 | 12.13 | EPDM | Santoprene | Quick Attach | 2-Pin/Leads |
| SFDP2-045-040-41 | 24 V | Switch & By pass | 4.5/17.0 | 40/2.8 | 6.07 | EPDM | Santoprene | Quick Attach | 2-Pin/Leads |
| SFDPA1-045-040-41 | 115 V | Demand & By pass | 4.5/17.0 | 40/2.8 | 1.54 | EPDM | Santoprene | Quick Attach | Leads/Plug |
| SFDPA2-045-040-41 | 220 V | Demand & By pass | 4.5/17.0 | 40/2.8 | 0.77 | EPDM | Santoprene | Quick Attach | Leads/Plug |



Industry Carton



Color Box



Industry Carton



Color Box



42 Series (short) Water Pump

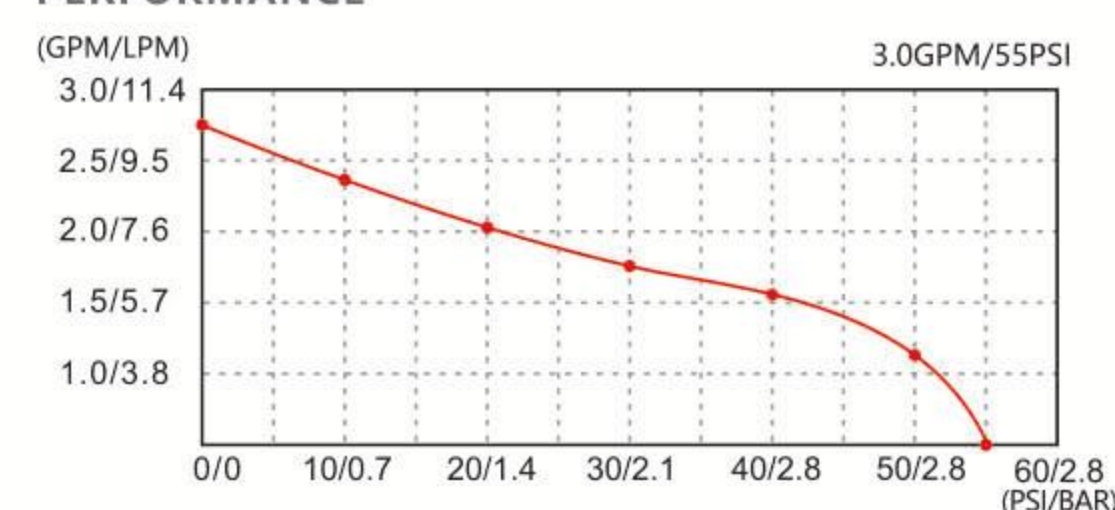
FEATURES & BENEFITS

- Up to 3.0 GPM
- Self priming
- Run dry safe
- Quiet operation
- On-demand use
- Industry Standard mounting pattern
- Completely rubber mounting-base
- Internal bypass technology reduces cycling
- 16 AWG, 9.4"(23.8 cm) long with

PUMP

- Max Recommended Temperature**
140 °F (60 °C) Max.
- Priming Capabilities**
6 feet (1.8 m) suction lift
- Inlet/Outlet Ports**
1/2"-14 MNPT
- Weight**
4.1 lbs (1.90 kg)

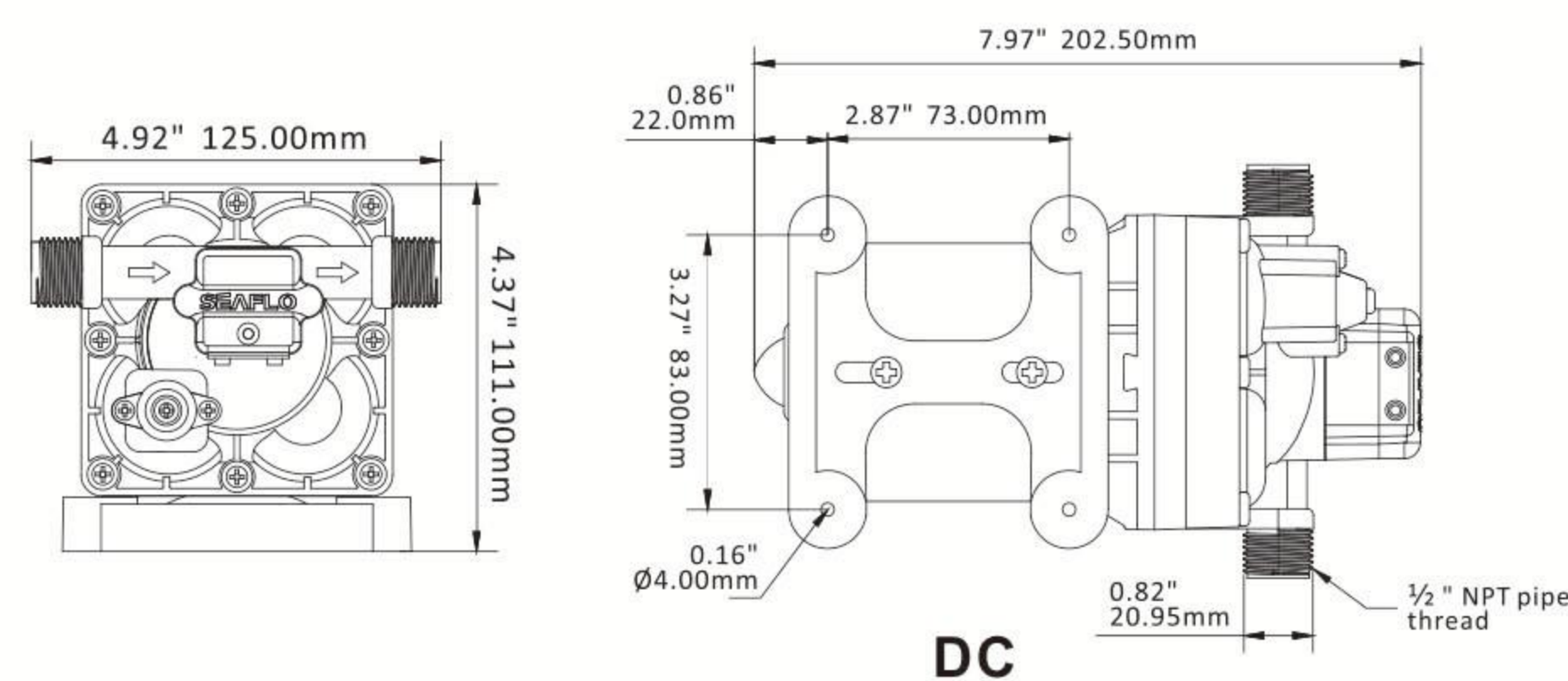
PERFORMANCE



Standard Accessories



42 short-AC Pump



Standard Pump Configurations

| Model | Voltage | Control Type | GPM/LPM | PSI/BAR | Max Draw(A) | Valves | Diaphragm | Ports | Wire Connections |
|-------------------|---------|------------------|----------|---------|-------------|--------|------------|--------------|------------------|
| SFDP1-030-055-42 | 12 V | Switch & By pass | 3.0/11.3 | 55/3.8 | 7.00 | EPDM | Santoprene | 1/2"-14 MNPT | 2-Pin/Leads |
| SFDP2-030-055-42 | 24 V | Switch & By pass | 3.0/11.3 | 55/3.8 | 3.37 | EPDM | Santoprene | 1/2"-14 MNPT | 2-Pin/Leads |
| SFDPA1-030-055-42 | 115 V | Switch & By pass | 3.0/11.3 | 55/3.8 | 1.10 | EPDM | Santoprene | 1/2"-14 MNPT | Leads/Plug |
| SFDPA2-030-055-42 | 220 V | Switch & By pass | 3.0/11.3 | 55/3.8 | 0.50 | EPDM | Santoprene | 1/2"-14 MNPT | Leads/Plug |

42 Series (long) Water Pump

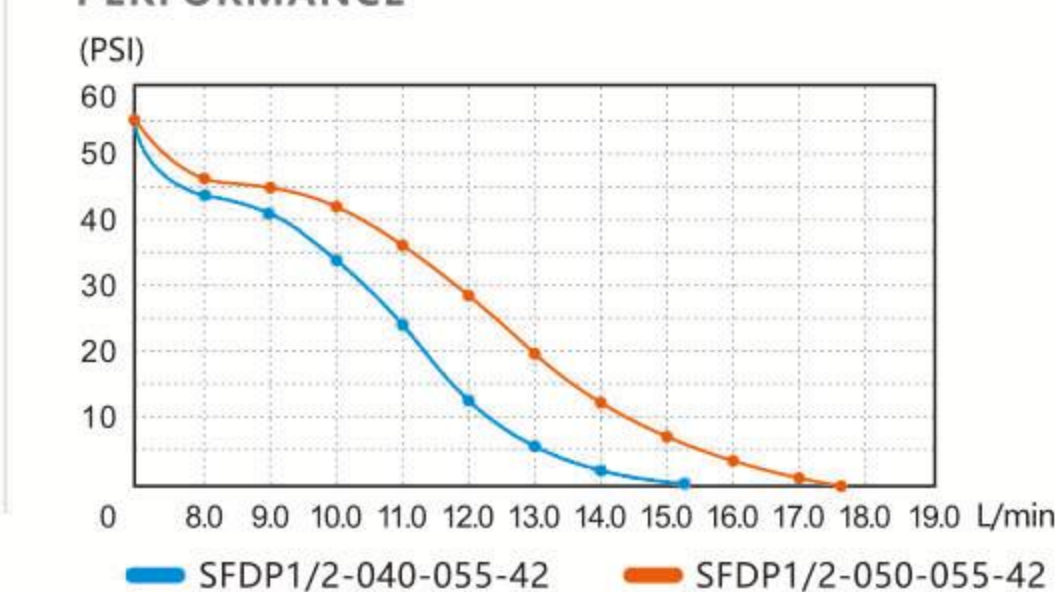
FEATURES & BENEFITS

- Up to 5.0 GPM
- Self priming
- Run dry safe
- Quiet operation
- On-demand use
- Industry Standard mounting pattern
- Completely rubber mounting-base
- Internal bypass technology reduces cycling
- 14 AWG, 9.4"(23.8 cm) long Leads

PUMP

- Max Recommended Temperature**
140 °F (60 °C) Max.
- Priming Capabilities**
6 feet (1.8 m) suction lift
- Inlet/Outlet Ports**
1/2" MNPT
- Weight**
5.95 lbs (2.7 kg)

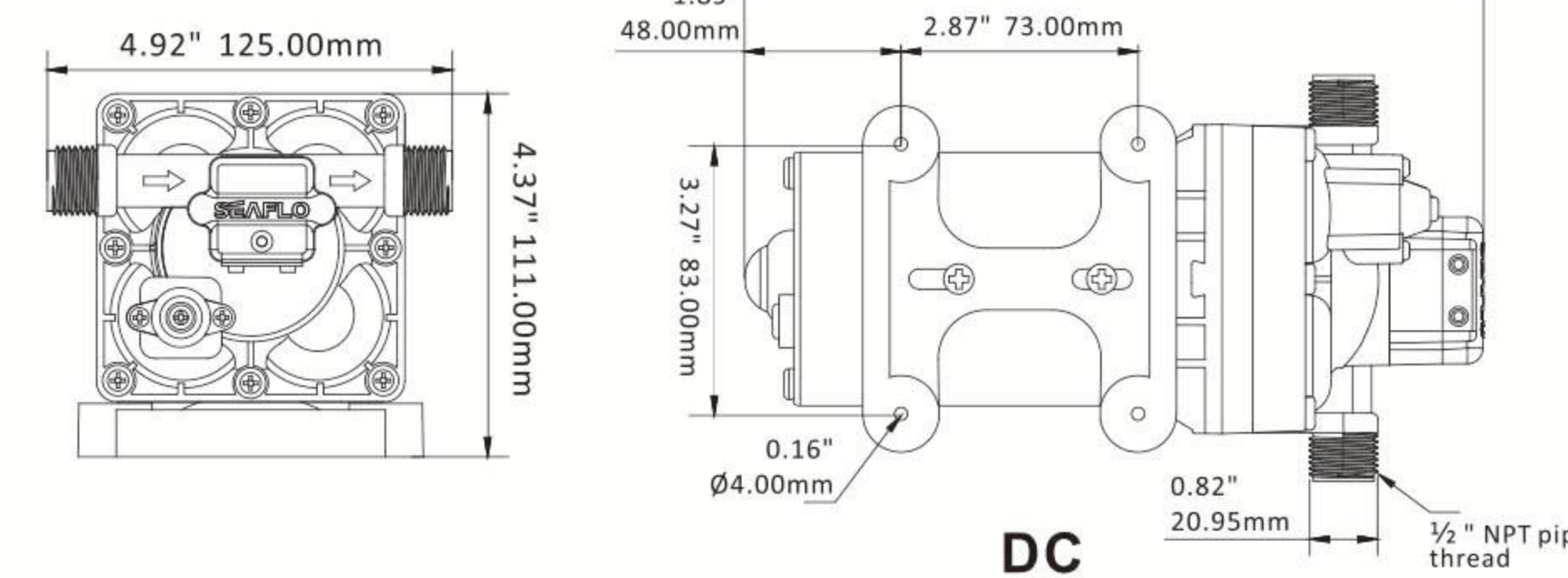
PERFORMANCE



Standard Accessories



42 long-AC Pump



Standard Pump Configurations

| Model | Voltage | Control Type | GPM/LPM | PSI/BAR | Max Draw(A) | Valves | Diaphragm | Ports | Wire Connections |
|-------------------|---------|------------------|----------|---------|-------------|--------|------------|-----------|------------------|
| SFDP1-040-055-42 | 12 V | Switch & By pass | 4.0/15.0 | 55/3.8 | 13.00 | EPDM | Santoprene | 1/2" MNPT | 2-Pin/Leads |
| SFDP2-040-055-42 | 24 V | Switch & By pass | 4.0/15.0 | 55/3.8 | 6.00 | EPDM | Santoprene | 1/2" MNPT | 2-Pin/Leads |
| SFDP1-050-055-42 | 12 V | Switch & By pass | 5.0/18.9 | 55/3.8 | 15.00 | EPDM | Santoprene | 1/2" MNPT | 2-Pin/Leads |
| SFDP2-050-055-42 | 24 V | Switch & By pass | 5.0/18.9 | 55/3.8 | 7.50 | EPDM | Santoprene | 1/2" MNPT | 2-Pin/Leads |
| SFDPA1-040-055-42 | 115V | Switch & By pass | 4.0/15.0 | 55/3.8 | 1.80 | EPDM | Santoprene | 1/2" MNPT | Leads/Plug |
| SFDPA2-040-055-42 | 220V | Switch & By pass | 4.0/15.0 | 55/3.8 | 0.85 | EPDM | Santoprene | 1/2" MNPT | Leads/Plug |



Industry Carton



Color Box



Industry Carton



Color Box



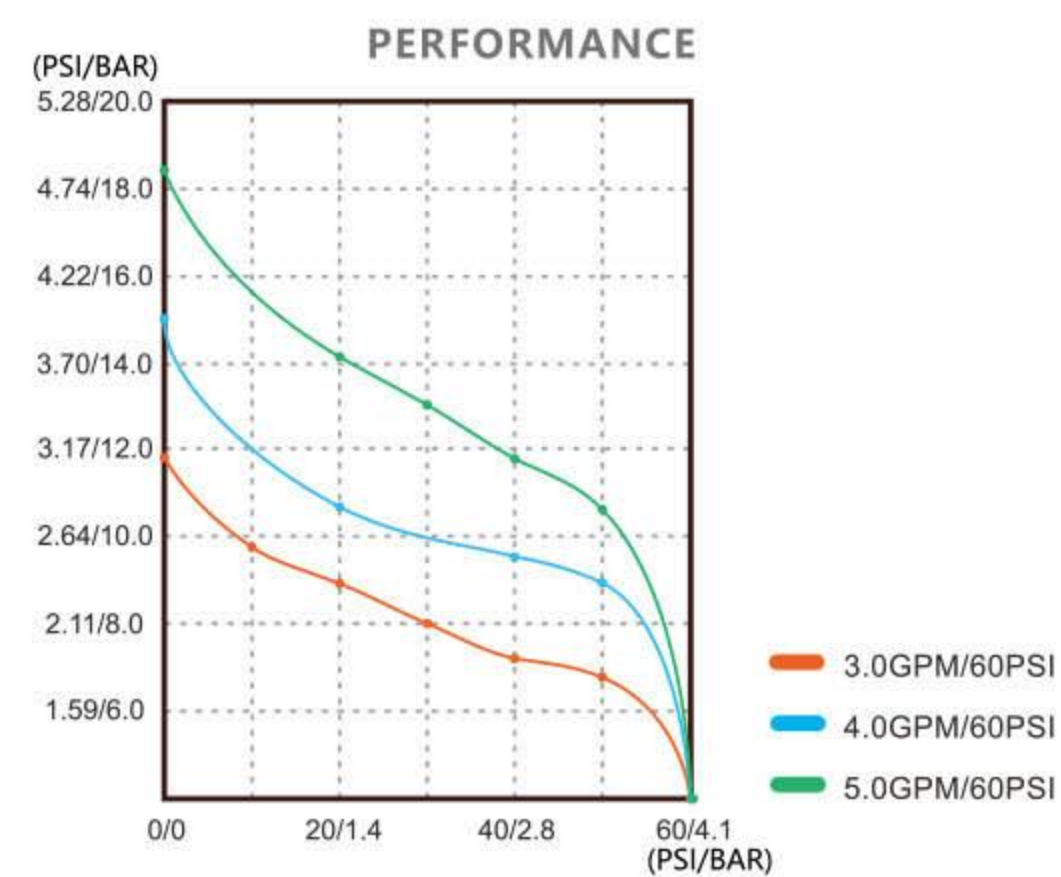
51 New Series Water Pump

FEATURES & BENEFITS

- Precise pressure control and stable performance
- Good sealing performance, waterproof and dustproof
- Low starting pressure, reduces cycling
- Good heat dissipation
- Longer pump life
- Can supply up to 4 fixtures
- Run dry capable for normal workloads
- Very quiet operation
- On-demand only
- Fresh water or salt water available
- 16 AWG, 9" (22.8 cm) long leads

PUMP

- Max Recommended Temperature**
140 °F (60 °C) Max.
- Priming Capabilities**
6 feet (1.8 m) suction lift
- Inlet/Outlet Ports**
1/2" MNPT
- Weight**
5.9 lbs (2.68 kg)



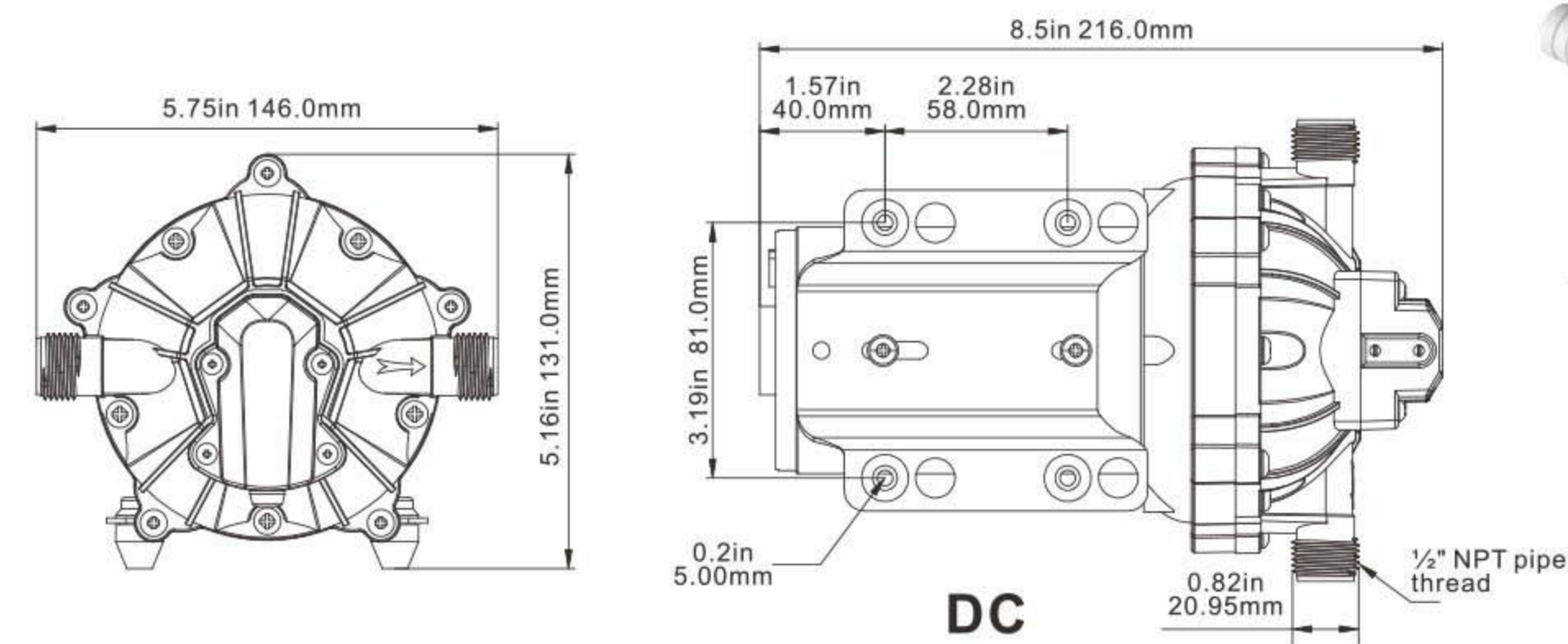
Standard Accessories



51F001 x 2 51S01



51 NEW-AC Pump



DC

Standard Pump Configurations

| Model | Voltage | Control Type | GPM/LPM | PSI/BAR | Max Draw(A) | Valves | Diaphragm | Ports | Wire Connections |
|----------------------|---------|--------------|----------|---------|-------------|--------|------------|--------------|------------------|
| SFDP1-040-060-51 NEW | 12 V | Switch | 4.0/15.0 | 60/4.2 | 11.0 | EPDM | Santoprene | 1/2"-14 MNPT | 2-Pin/Leads |
| SFDP2-040-060-51 NEW | 24 V | Switch | 4.0/15.0 | 60/4.2 | 6.0 | EPDM | Santoprene | 1/2"-14 MNPT | 2-Pin/Leads |
| SFDP1-050-060-51 NEW | 12 V | Switch | 5.0/18.9 | 60/4.2 | 15.0 | EPDM | Santoprene | 1/2"-14 MNPT | 2-Pin/Leads |
| SFDP2-050-060-51 NEW | 24 V | Switch | 5.0/18.9 | 60/4.2 | 8.0 | EPDM | Santoprene | 1/2"-14 MNPT | 2-Pin/Leads |
| SFDP1-050-060-51 NEW | 115V | Switch | 5.0/18.9 | 60/4.2 | 2.56 | EPDM | Santoprene | 1/2"-14 MNPT | Leads/Plug |
| SFDP2-050-060-51 NEW | 220V | Switch | 5.0/18.9 | 60/4.2 | 1.28 | EPDM | Santoprene | 1/2"-14 MNPT | Leads/Plug |

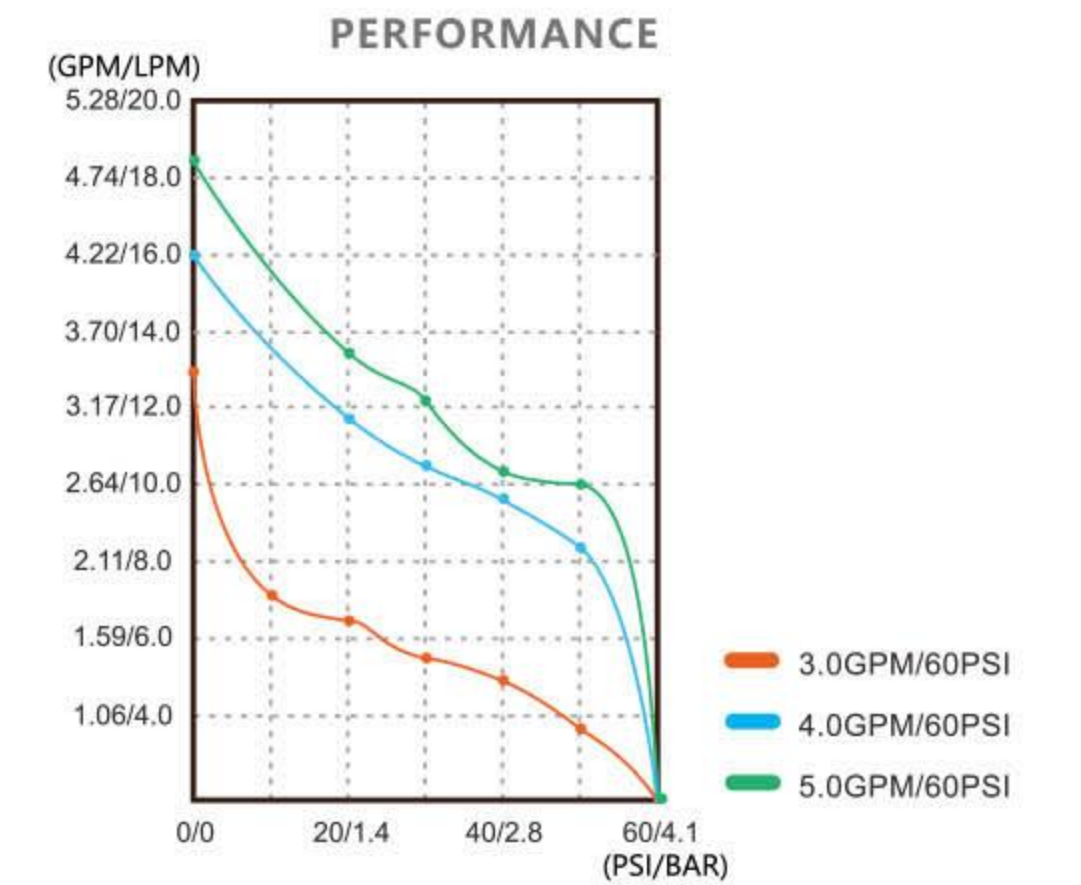
52A Series Water Pump

FEATURES & BENEFITS

- Up to 5.0 GPM
- Continuous Duty
- Can supply up to 4 fixtures
- Quick connect fittings
- Very quiet operation
- Self priming
- Run dry safe
- On-demand use
- Industry Standard mounting pattern
- Can be used for Fresh & Salt Water
- Heavy-Duty Motor
- 16 AWG, 9" (22.8 cm) long Leads

PUMP

- Max Recommended Temperature**
140 °F (60 °C) Max.
- Priming Capabilities**
6 feet (1.8 m) suction lift
- Inlet/Outlet Ports**
Quick Attach
- Weight**
5.95 lbs (2.7 kg)



Standard Accessories

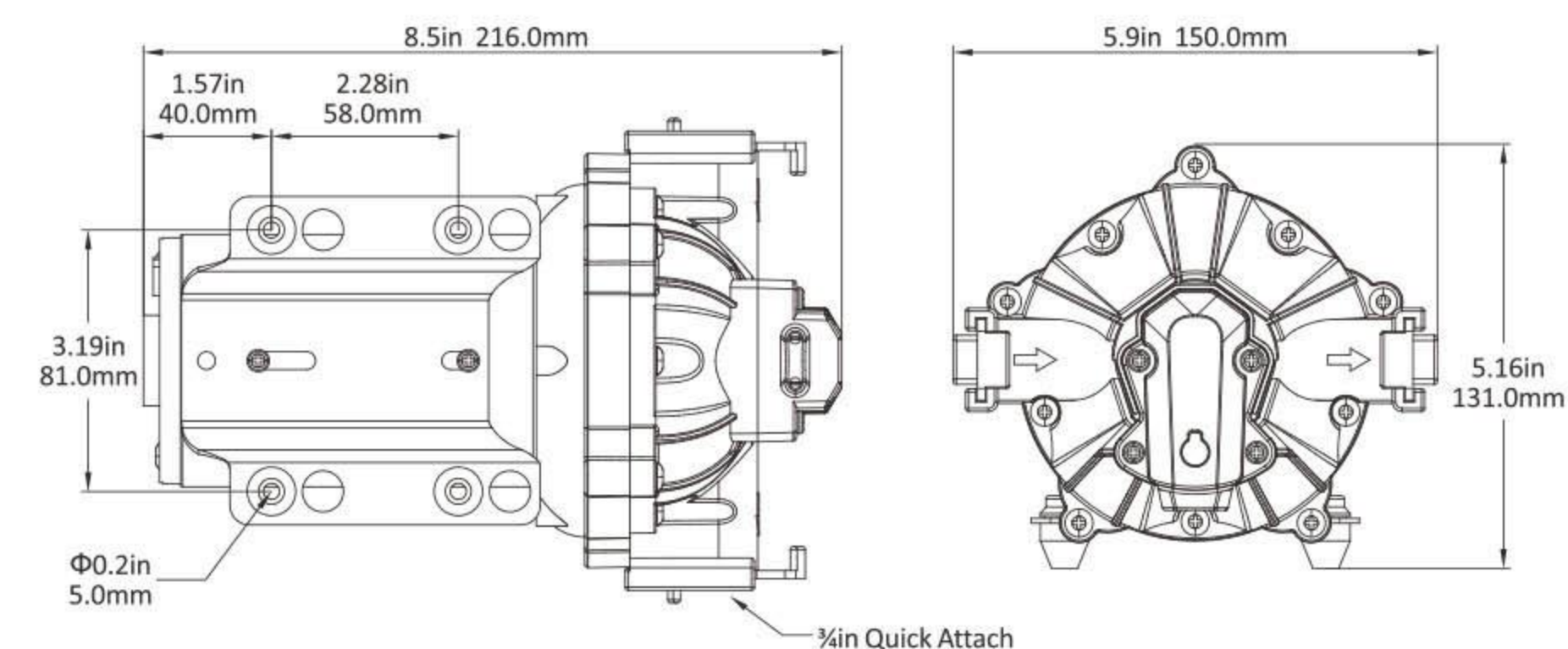


41F001

41F003

41F004

52S01



Standard Pump Configurations

| Model | Voltage | Control Type | GPM/LPM | PSI/BAR | Max Draw(A) | Valves | Diaphragm | Ports | Wire Connections |
|-------------------|---------|--------------|----------|---------|-------------|--------|------------|--------------|------------------|
| SFDP1-040-060-52A | 12 V | Switch | 4.0/15.0 | 60/4.2 | 13.0 | EPDM | Santoprene | Quick Attach | 2-Pin/Leads |
| SFDP2-040-060-52A | 24 V | Switch | 4.0/15.0 | 60/4.2 | 7.0 | EPDM | Santoprene | Quick Attach | 2-Pin/Leads |
| SFDP1-050-060-52A | 12 V | Switch | 5.0/18.9 | 60/4.2 | 17.0 | EPDM | Santoprene | Quick Attach | 2-Pin/Leads |
| SFDP2-050-060-52A | 24 V | Switch | 5.0/18.9 | 60/4.2 | 9.0 | EPDM | Santoprene | Quick Attach | 2-Pin/Leads |
| SFDP1-050-070-52A | 12 V | Switch | 5.0/18.9 | 70/4.8 | 18.0 | EPDM | Santoprene | Quick Attach | 2-Pin/Leads |
| SFDP2-050-070-52A | 24 V | Switch | 5.0/18.9 | 70/4.8 | 10.0 | EPDM | Santoprene | Quick Attach | 2-Pin/Leads |



Color Box

Industry Carton



Color Box



Industry Carton



53 Series Water Pump

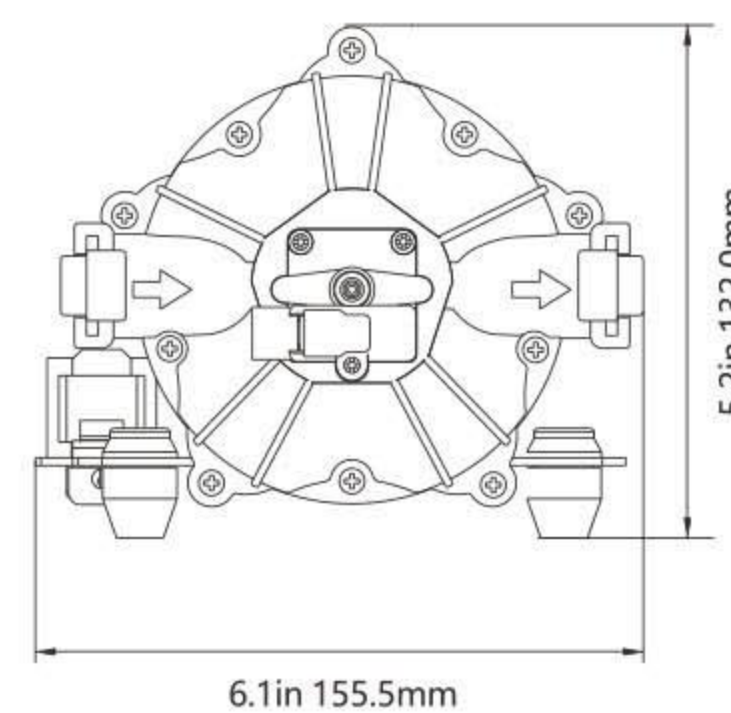
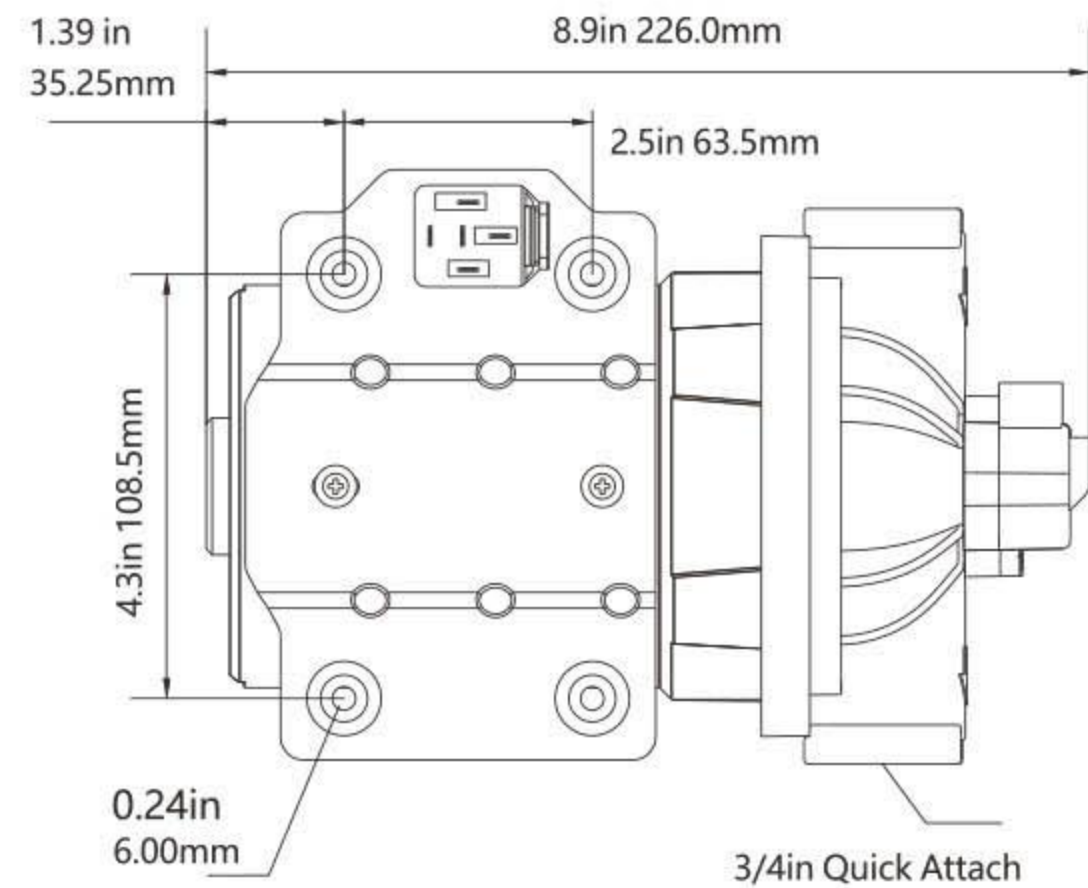
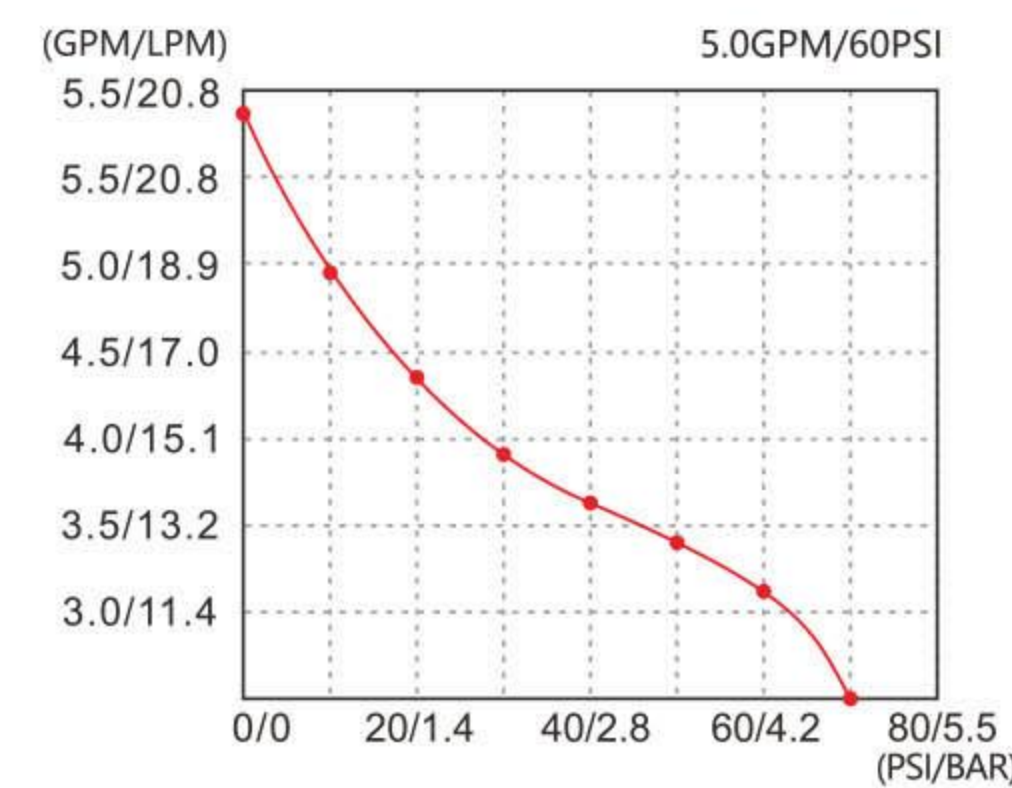
FEATURES & BENEFITS

- Up to 7.0 GPM
- Continuous Duty
- Can supply up to 6 fixtures
- Heavy-Duty Motor
- Quick connect fittings
- Self priming
- Run dry safe
- On-demand use
- Can be used for Fresh & Salt Water
- Adjustable pressure switch
- 16 AWG, 9" (22.8 cm) long Leads

PUMP

- Max Recommended Temperature**
140 °F (60 °C) Max.
- Priming Capabilities**
6 feet (1.8 m) suction lift
- Inlet/Outlet Ports**
Quick Attach
- Weight**
9.5 lbs (4.31 kg)

PERFORMANCE



Standard Accessories



Standard Pump Configurations

| Model | Voltage | Control Type | GPM/LPM | PSI/BAR | Max Draw(A) | Valves | Diaphragm | Ports | Wire Connections |
|------------------|---------|--------------|----------|---------|-------------|--------|------------|--------------|------------------|
| SFDP1-070-060-53 | 12 V | Switch | 7.0/26.5 | 60/4.1 | 24.5 | EPDM | Santoprene | Quick Attach | 2-Pin/Leads |
| SFDP2-070-060-53 | 24 V | Switch | 7.0/26.5 | 60/4.1 | 13.0 | EPDM | Santoprene | Quick Attach | 2-Pin/Leads |

55 Series Water Pump With Bypass

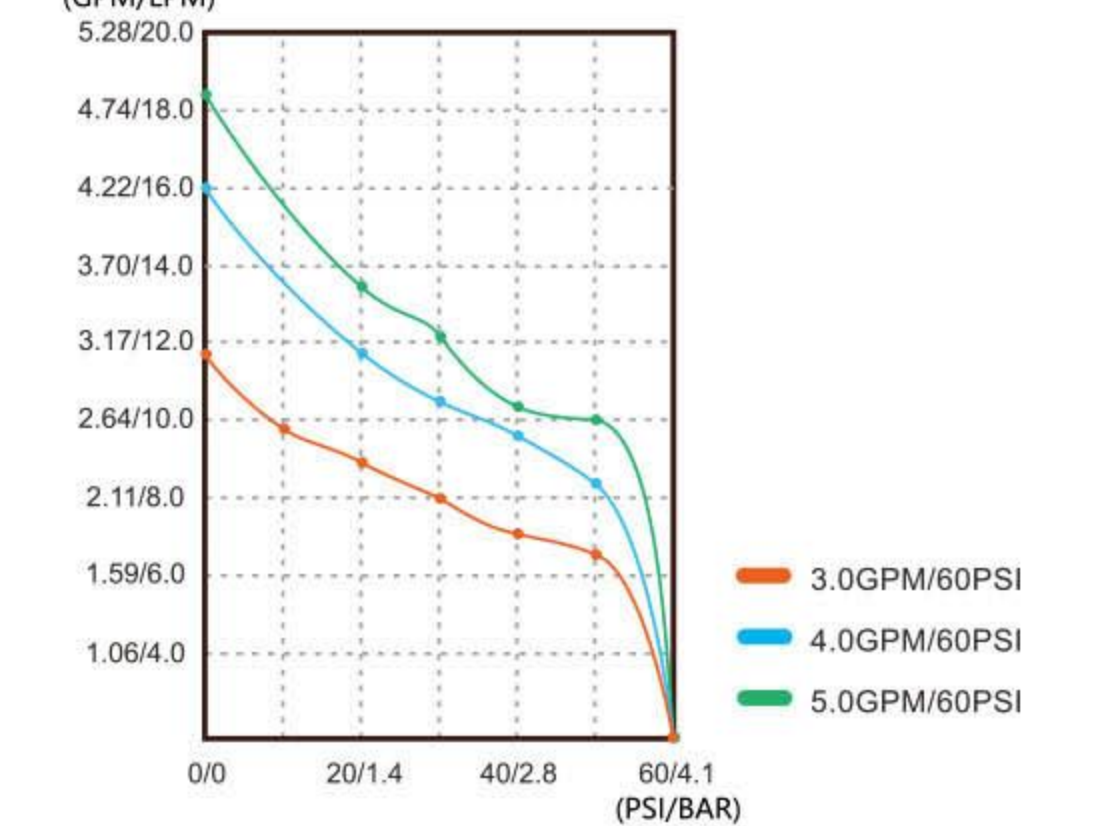
FEATURES & BENEFITS

- Precise pressure control and stable performance
- Good sealing performance, waterproof and dustproof
- Low starting pressure, reduces cycling
- Good heat dissipation
- Longer pump life
- Can supply up to 4 fixtures
- Run dry capable for normal workloads
- Very quiet operation
- On-demand combine with by-pass
- Fresh water or salt water available
- 16 AWG, 9" (22.8 cm) long Leads

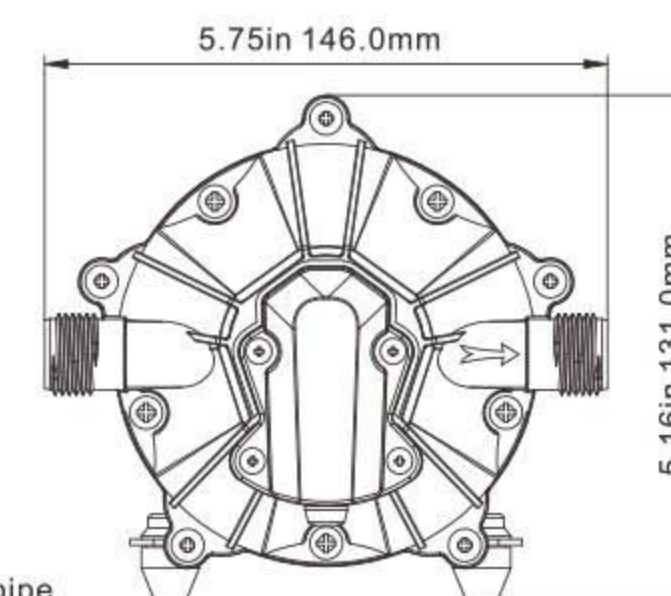
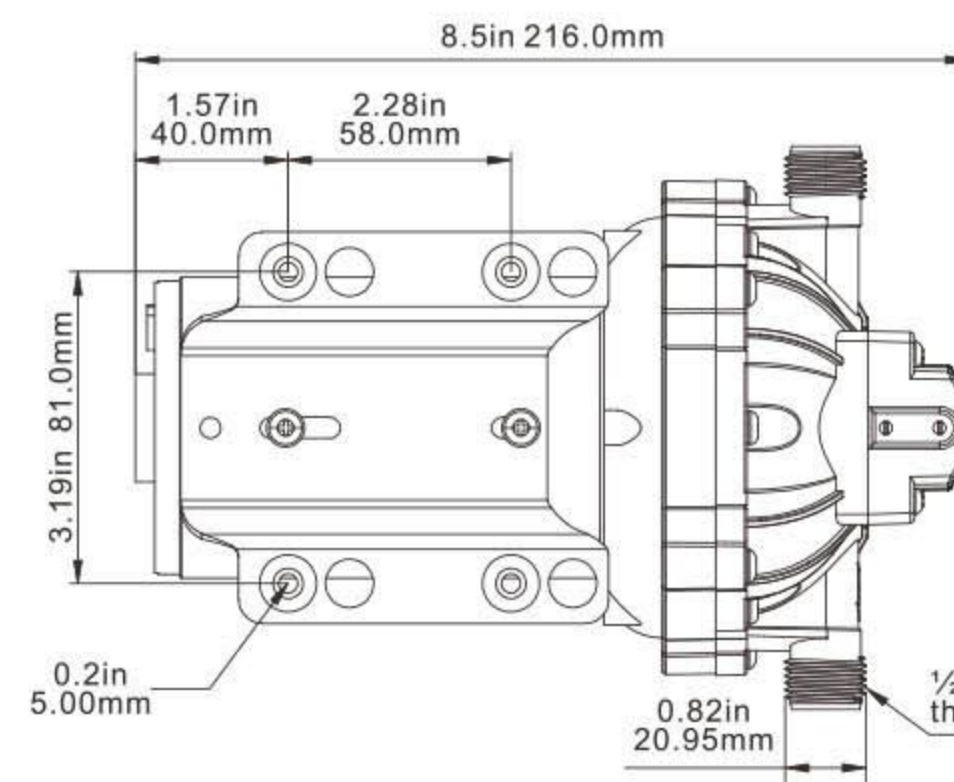
PUMP

- Max Recommended Temperature**
140 °F (60 °C) Max.
- Priming Capabilities**
6 feet (1.8 m) suction lift
- Inlet/Outlet Ports**
1/2" MNPT
- Weight**
5.9 lbs (2.68 kg)

PERFORMANCE



Standard Accessories



DC



55-AC Pump

Standard Pump Configurations

| Model | Voltage | Control Type | GPM/LPM | PSI/BAR | Max Draw(A) | Valves | Diaphragm | Ports | Wire Connections |
|------------------|---------|------------------|----------|---------|-------------|--------|------------|--------------|------------------|
| SFDP1-040-060-55 | 12 V | Switch & By Pass | 4.0/15.0 | 60/4.2 | 11.0 | EPDM | Santoprene | 1/2"-14 MNPT | 2-Pin/Leads |
| SFDP2-040-060-55 | 24 V | Switch & By Pass | 4.0/15.0 | 60/4.2 | 6.0 | EPDM | Santoprene | 1/2"-14 MNPT | 2-Pin/Leads |
| SFDP1-050-060-55 | 12 V | Switch & By Pass | 5.0/18.9 | 60/4.2 | 15.0 | EPDM | Santoprene | 1/2"-14 MNPT | 2-Pin/Leads |
| SFDP2-050-060-55 | 24 V | Switch & By Pass | 5.0/18.9 | 60/4.2 | 8.0 | EPDM | Santoprene | 1/2"-14 MNPT | 2-Pin/Leads |
| SFDP1-050-060-55 | 115V | Switch & By Pass | 5.0/18.9 | 60/4.2 | 2.56 | EPDM | Santoprene | 1/2"-14 MNPT | Leads/Plug |
| SFDP2-050-060-55 | 220V | Switch & By Pass | 5.0/18.9 | 60/4.2 | 1.28 | EPDM | Santoprene | 1/2"-14 MNPT | Leads/Plug |



56A Series Variable Speed Smart Pump

FEATURES & BENEFITS

- Variable speed technology
- Motor speed adjusts to water needs
- Capable of sustained low voltage operation
- Waterproof grade IPX5
- Run dry safe, long service life
- Strong suction, suction lift up to 1.8m
- CE, UKCA, RoHS, REACH, PAHS
- Quiet operation, bypass technology reduces cycling
- 5-chamber diaphragm pump operates more stably and smoothly

PUMP

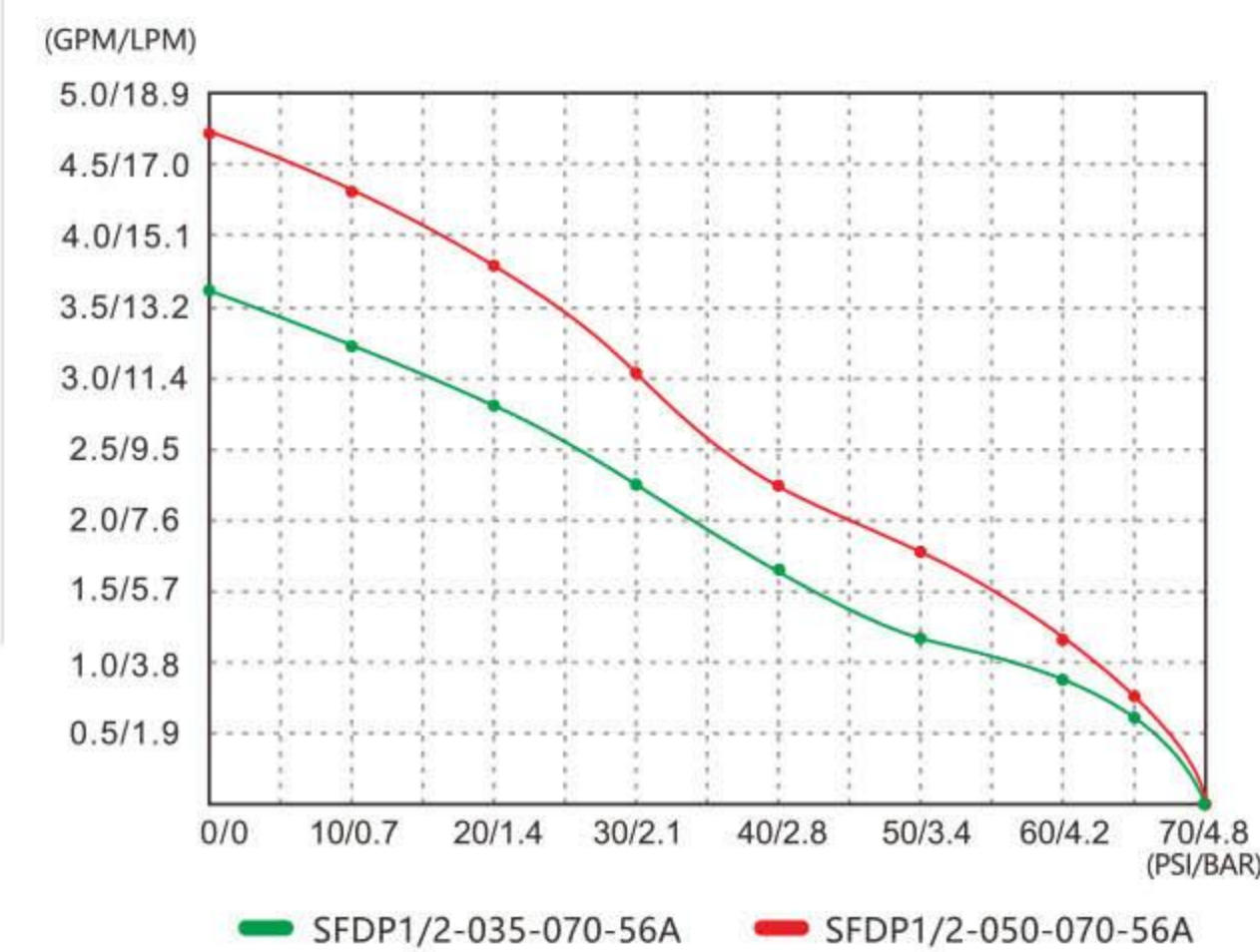
Max Recommended Temperature
140 °F (60 °C) Max.

Priming Capabilities
6 feet (1.8 m) suction lift

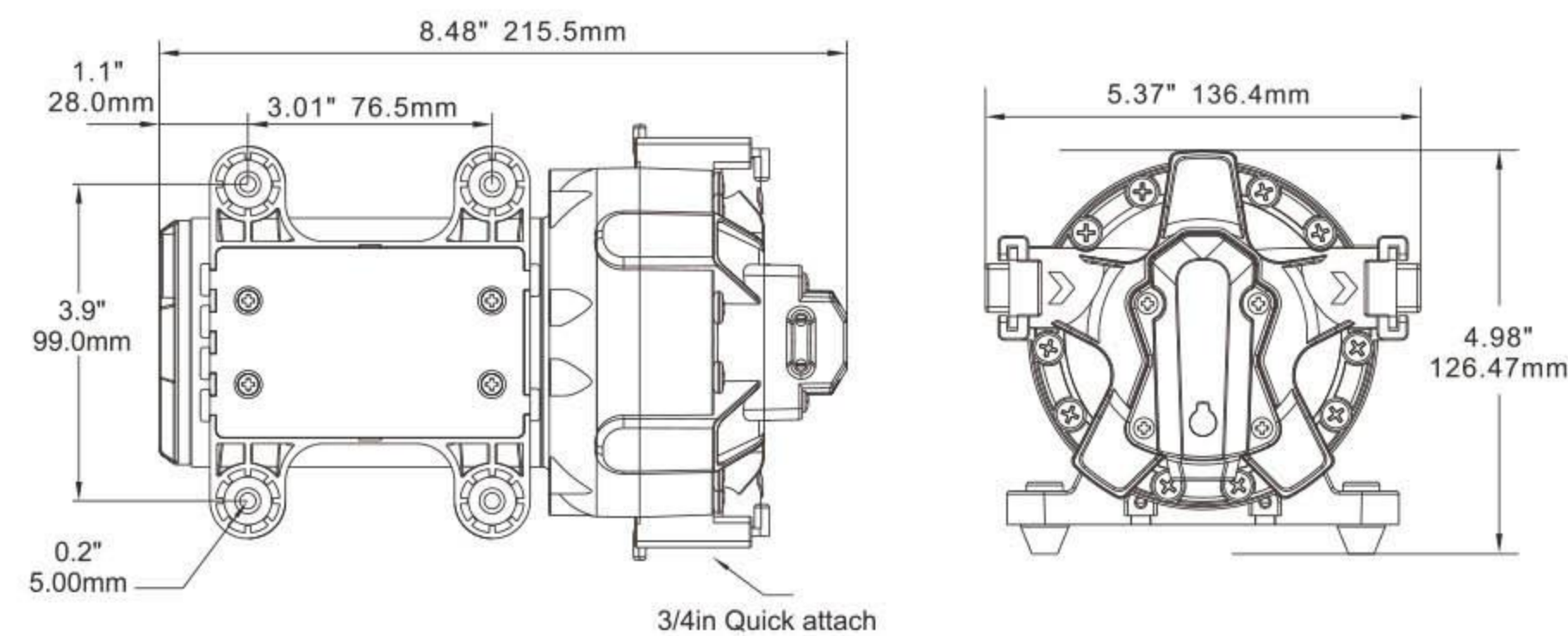
Inlet/Outlet Ports
Quick Attach

Weight
6.57 lbs (2.98 kg)

PERFORMANCE



Standard Accessories



Standard Pump Configurations

| Model | Voltage | Control Type | GPM/LPM | PSI/BAR | Max Draw(A) | Valves | Diaphragm | Ports | Wire Connections |
|-------------------|---------|----------------|----------|---------|-------------|--------|------------|--------------|------------------|
| SFDP1-035-070-56A | 12 V | Variable Speed | 3.5/13.2 | 70/4.8 | 7.5 | EPDM | Santoprene | Quick Attach | 2-Pin/Leads |
| SFDP2-035-070-56A | 24 V | Variable Speed | 3.5/13.2 | 70/4.8 | 4.0 | EPDM | Santoprene | Quick Attach | 2-Pin/Leads |
| SFDP1-050-070-56A | 12 V | Variable Speed | 5.0/18.9 | 70/4.8 | 10.0 | EPDM | Santoprene | Quick Attach | 2-Pin/Leads |
| SFDP2-050-070-56A | 24 V | Variable Speed | 5.0/18.9 | 70/4.8 | 5.5 | EPDM | Santoprene | Quick Attach | 2-Pin/Leads |

56C Series Variable Speed Smart Pump

FEATURES & BENEFITS

- Variable speed technology
- Motor speed adjusts to water needs
- Capable of sustained low voltage operation
- Waterproof grade IPX5
- Run dry safe, long service life
- Strong suction, suction lift up to 1.8m
- CE, UKCA, RoHS, REACH, PAHS
- Quiet operation, bypass technology reduces cycling
- 5-chamber diaphragm pump operates more stably and smoothly

PUMP

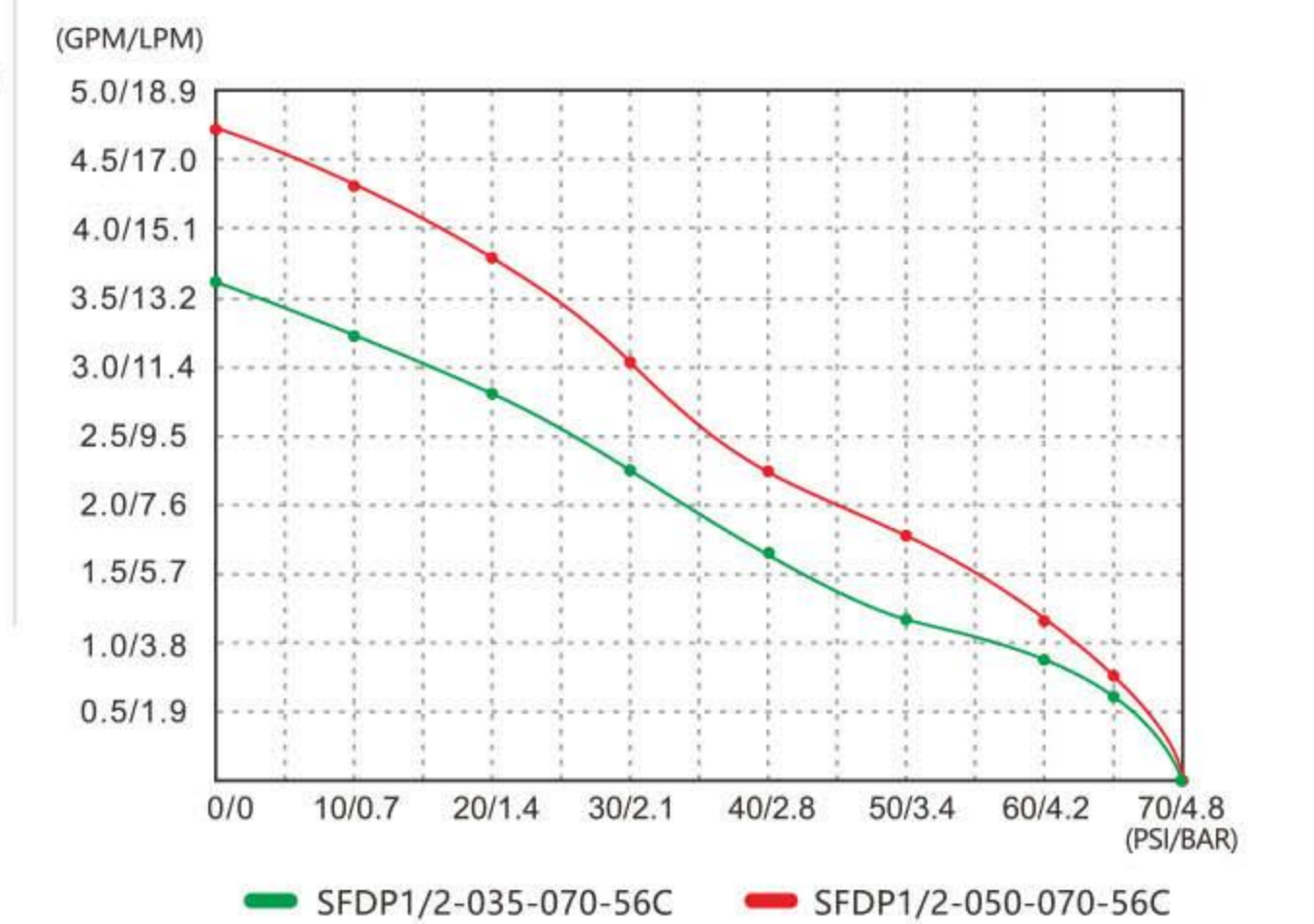
Max Recommended Temperature
140 °F (60 °C) Max.

Priming Capabilities
6 feet (1.8 m) suction lift

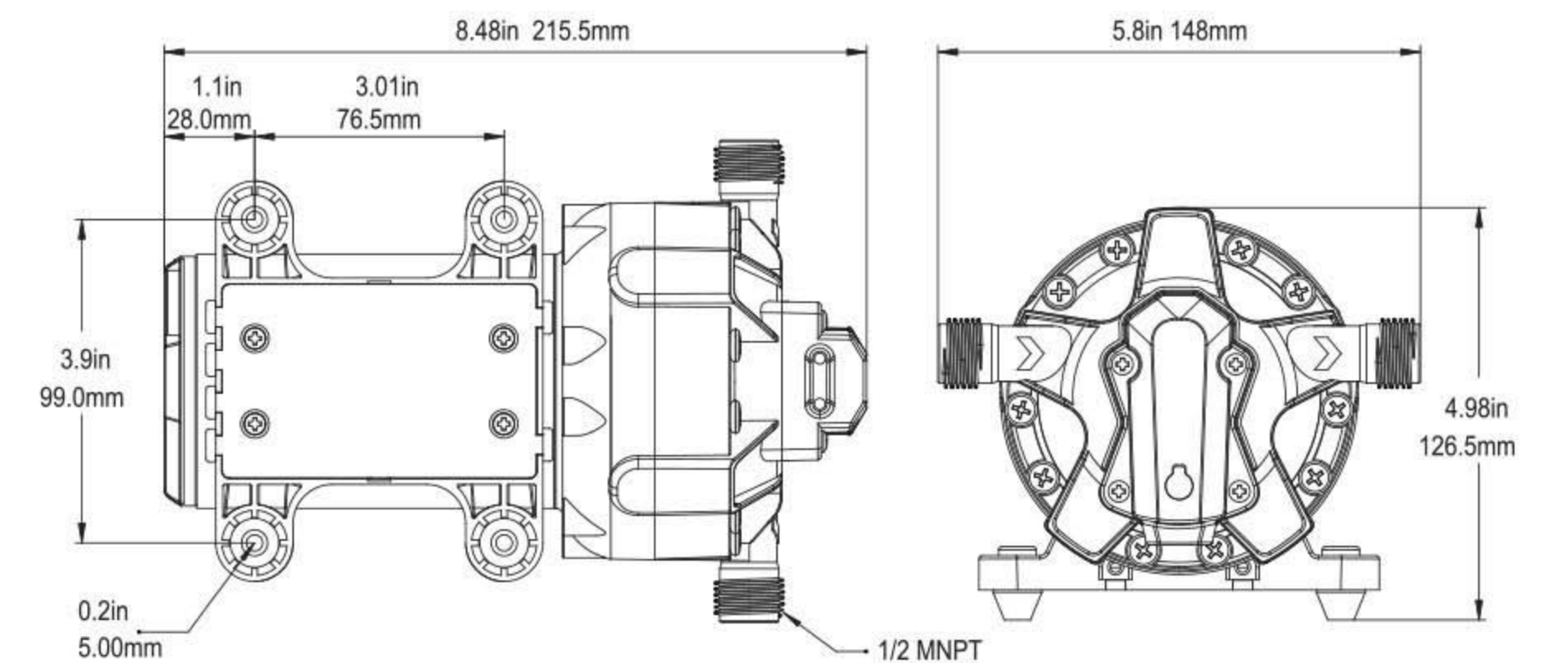
Inlet/Outlet Ports
1/2" MNPT

Weight
6.57 lbs (2.98 kg)

PERFORMANCE



Standard Accessories



Standard Pump Configurations

| Model | Voltage | Control Type | GPM/LPM | PSI/BAR | Max Draw(A) | Valves | Diaphragm | Ports | Wire Connections |
|-------------------|---------|----------------|----------|---------|-------------|--------|------------|-----------|------------------|
| SFDP1-035-070-56C | 12 V | Variable Speed | 3.5/13.2 | 70/4.8 | 7.5 | EPDM | Santoprene | 1/2" MNPT | 2-Pin/Leads |
| SFDP2-035-070-56C | 24 V | Variable Speed | 3.5/13.2 | 70/4.8 | 4.0 | EPDM | Santoprene | 1/2" MNPT | 2-Pin/Leads |
| SFDP1-050-070-56C | 12 V | Variable Speed | 5.0/18.9 | 70/4.8 | 10.0 | EPDM | Santoprene | 1/2" MNPT | 2-Pin/Leads |
| SFDP2-050-070-56C | 24 V | Variable Speed | 5.0/18.9 | 70/4.8 | 5.5 | EPDM | Santoprene | 1/2" MNPT | 2-Pin/Leads |



56 Series Portable Cleaning Kit

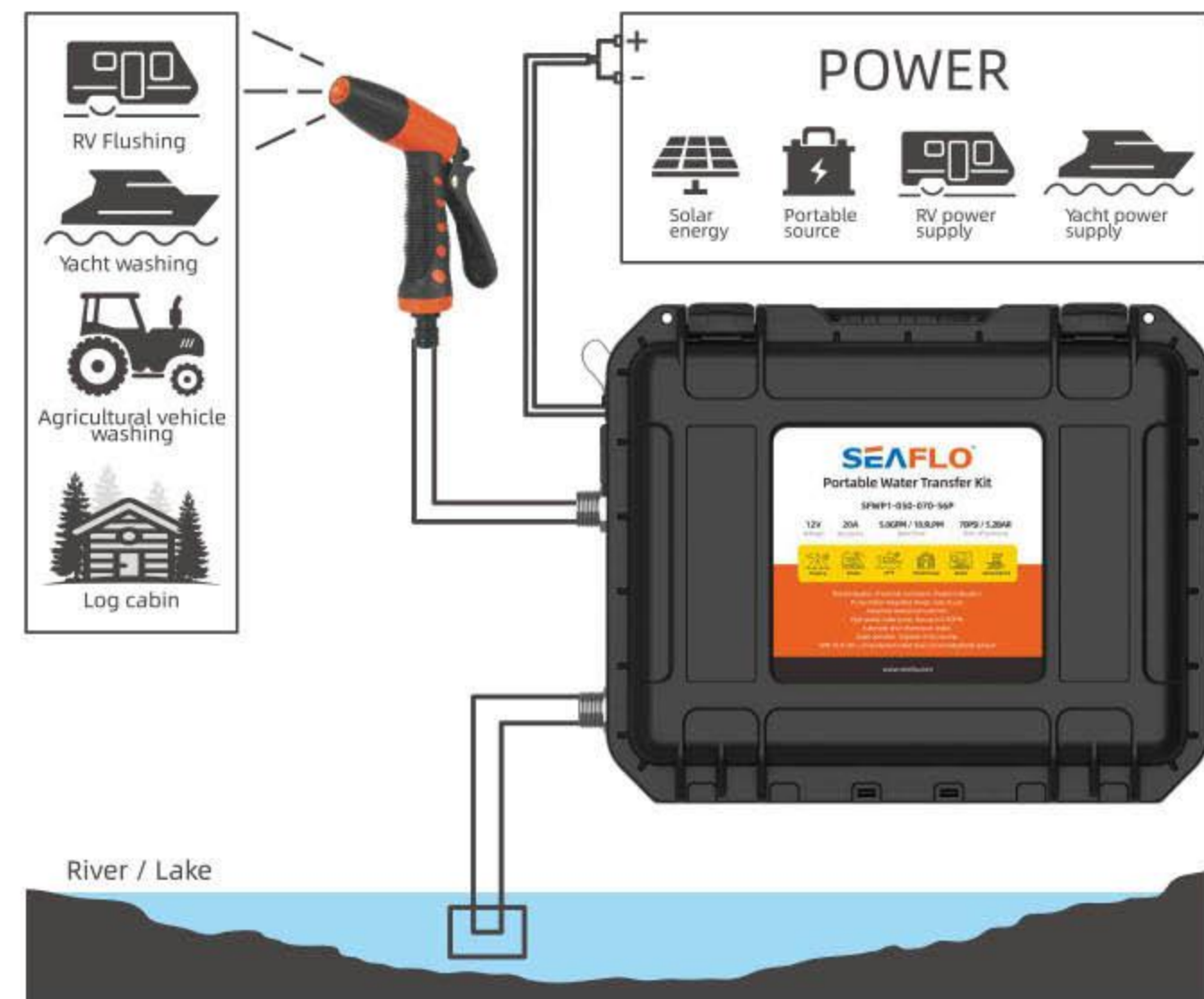
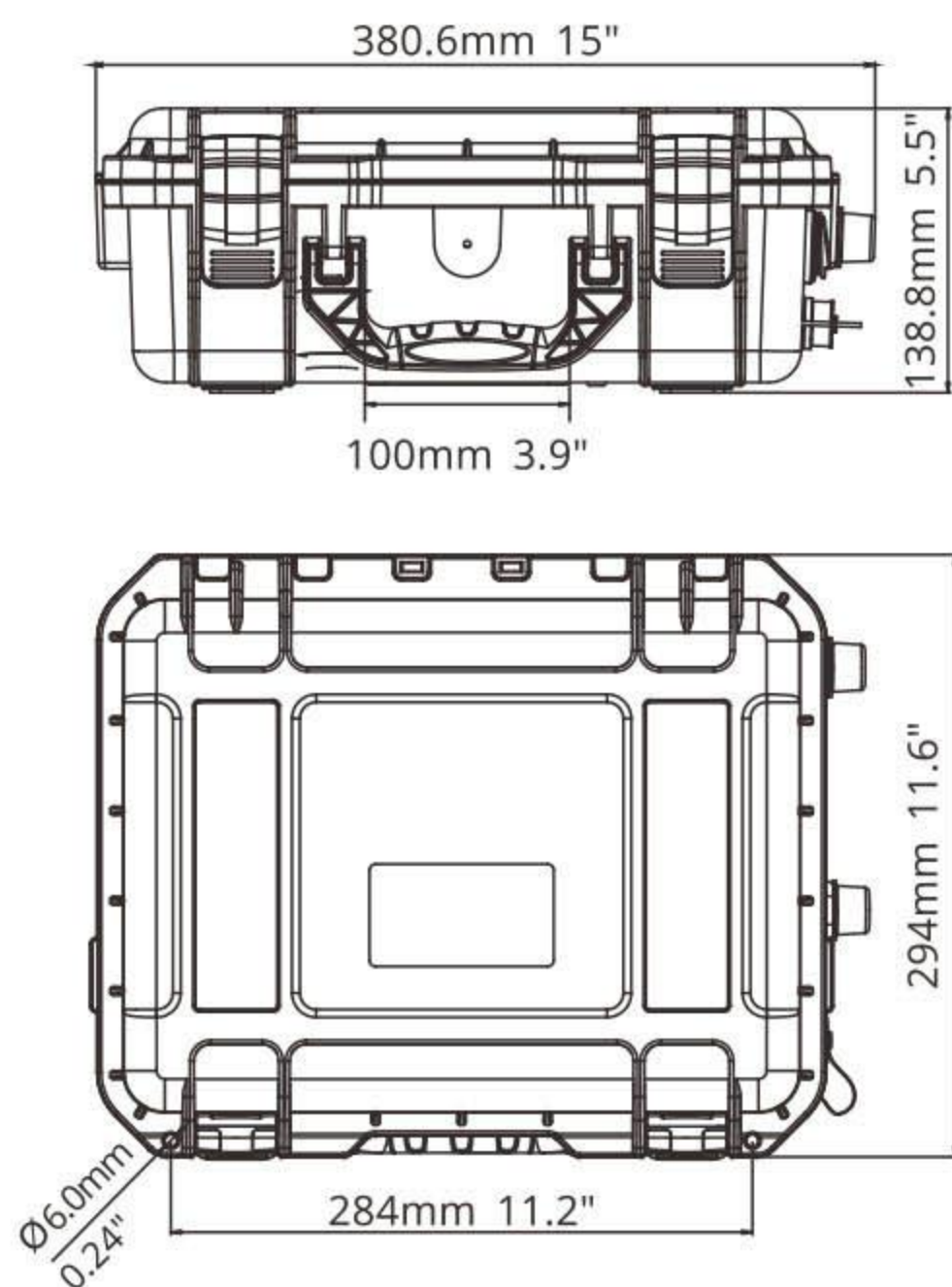
FEATURES & BENEFITS

1/2" NPTF connector can be directly connected to the pipe or used with a quick coupling
Pump station integrated design, easy to use
Advanced IPX6 rating waterproof outer box
High-power water pump, flow up to 5.0GPM
Automatic shut-off pressure switch
Quiet operation, Capable of dry running
With 17' (5.2m) UV-protected coiled hose coil and adjustable sprayer

PUMP

Liquid temperature
140 °F (60 °C) Max.
Priming Capabilities
5 feet (1.5 m) suction lift
Max Pressure
70 PSI (4.8 BAR)
Weight
11.2 lbs (5.1 kg)

Standard Accessories



Standard Pump Configurations

| Model | Voltage | Open Flow (GPM/LPM) | Control Type | Max Draw(A) | Shut-off Pressure (PSI/BAR) | Valves | Diaphragm | Ports | Wire Connections |
|-------------------|---------|---------------------|------------------|-------------|-----------------------------|--------|------------|--------------|----------------------|
| SFWP1-050-070-56P | 12 V | 5.0 / 18.9 | Demand & By pass | 20.0 | 70 / 4.8 | EPDM | Santoprene | Quick attach | Waterproof connector |

56 Series Portable Water Transfer Kit

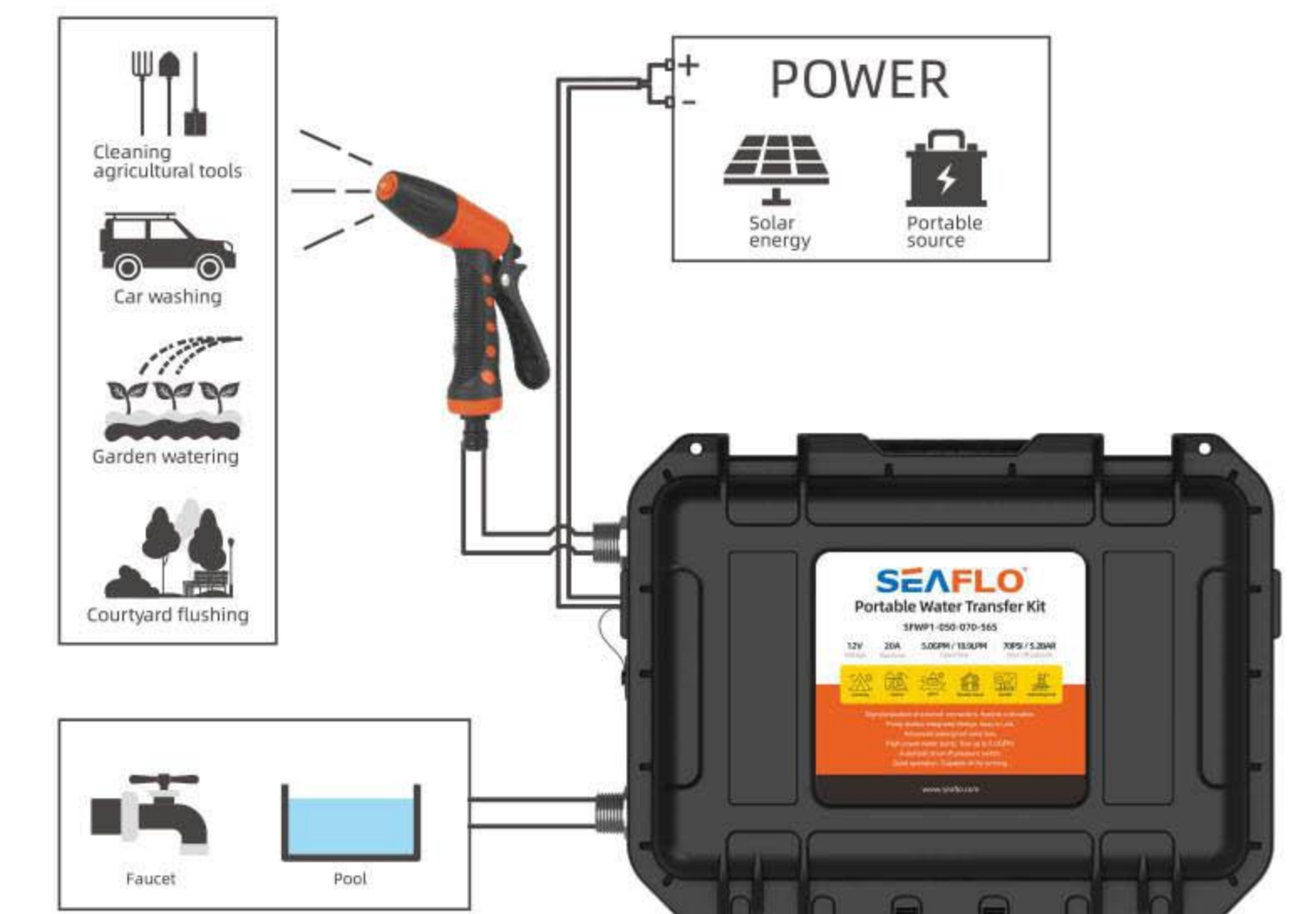
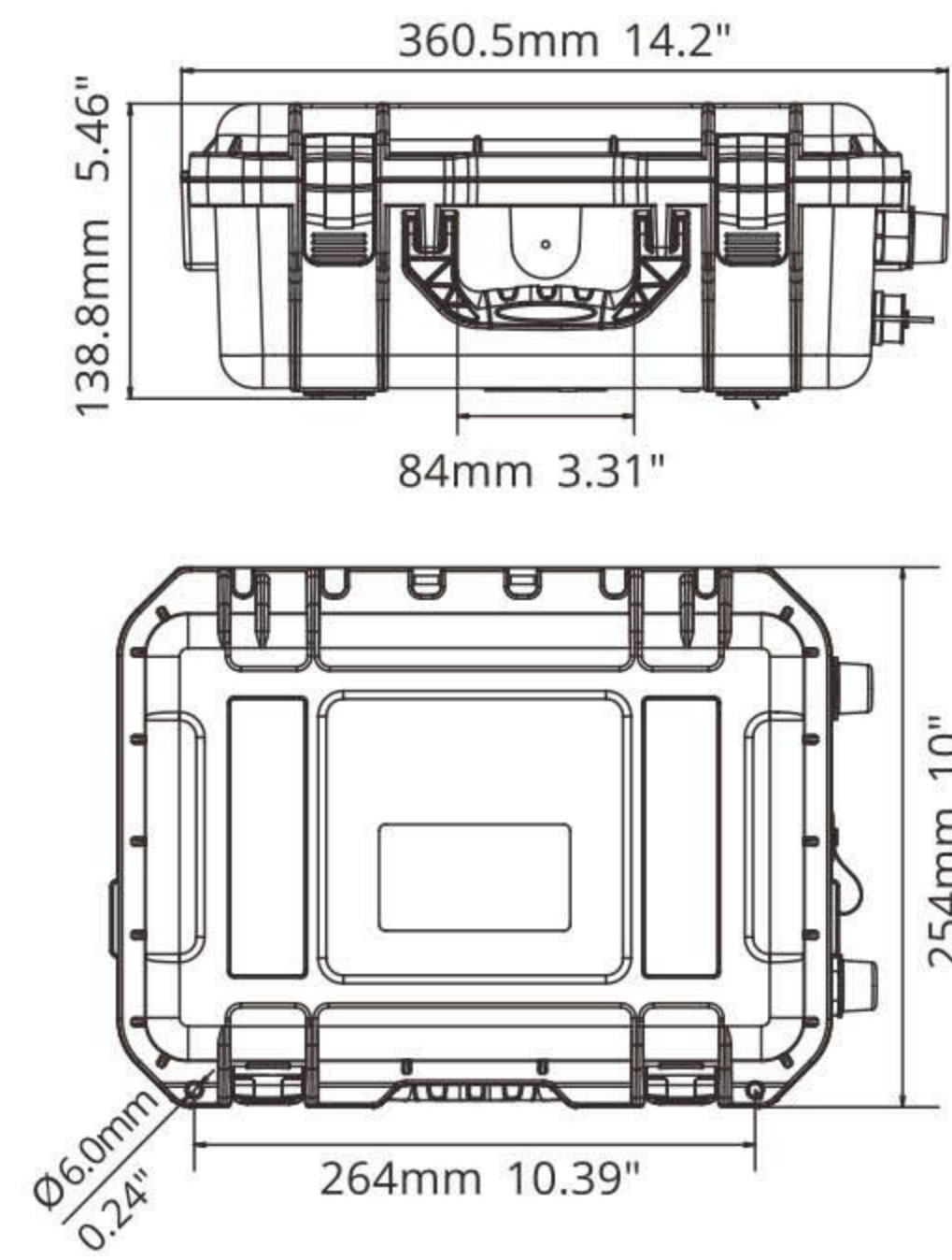
FEATURES & BENEFITS

1/2" NPTF can connector be directly connected to the pipe or used with a quick coupling
Pump station integrated design, easy to use
Advanced IPX6 rating waterproof outer box
High-power water pump, flow up to 5.0GPM
Automatic shut-off pressure switch
Quiet operation, Capable of dry running

PUMP

Liquid temperature
140 °F (60 °C) Max.
Priming Capabilities
5 feet (1.5 m) suction lift
Max Pressure
70 PSI (4.8 BAR)
Weight
9.9 lbs (4.5 kg)

Standard Accessories



Standard Pump Configurations

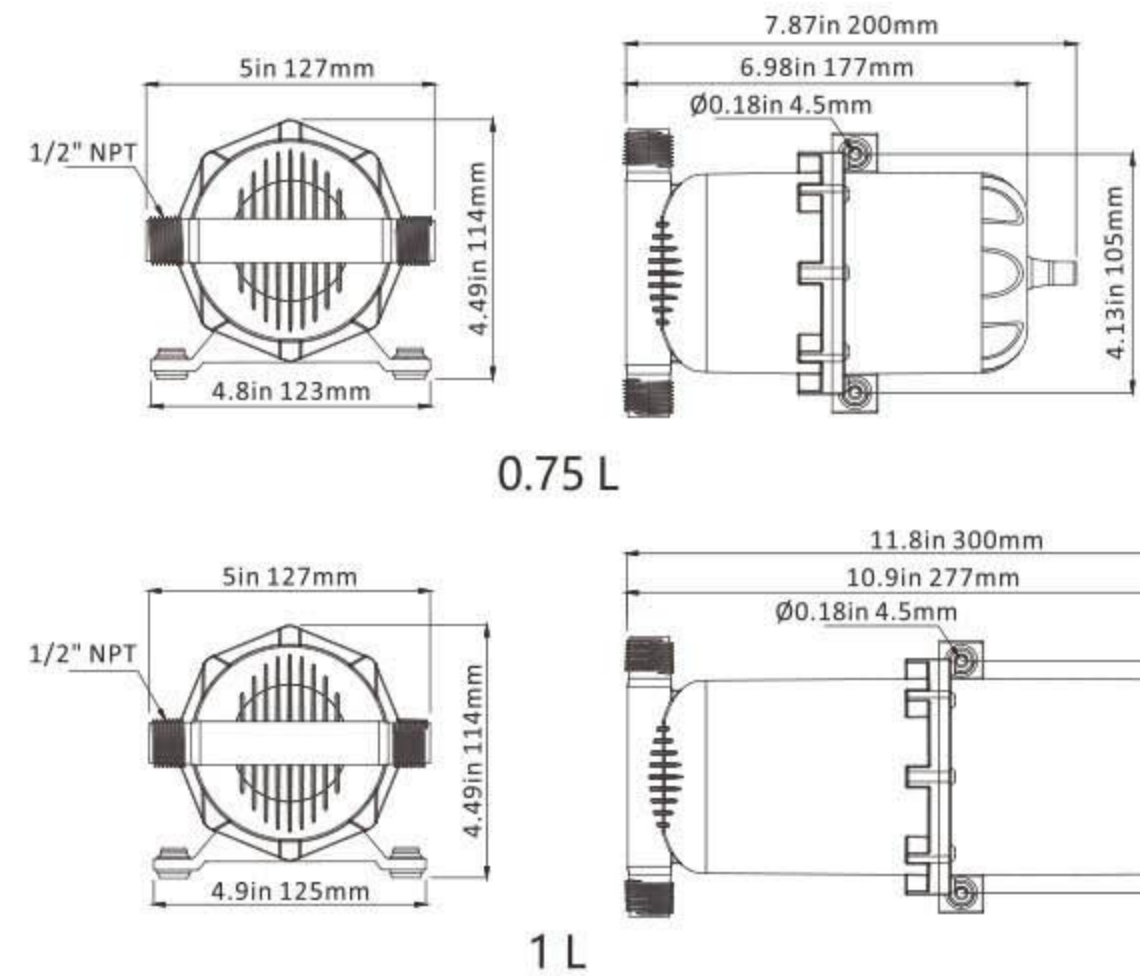
| Model | Voltage | Open Flow (GPM/LPM) | Control Type | Max Draw(A) | Shut-off Pressure (PSI/BAR) | Valves | Diaphragm | Ports | Wire Connections |
|-------------------|---------|---------------------|------------------|-------------|-----------------------------|--------|------------|--------------|----------------------|
| SFWP1-050-070-56S | 12 V | 5.0 / 18.9 | Demand & By pass | 20.0 | 70 / 4.8 | EPDM | Santoprene | Quick attach | Waterproof connector |

Pressurized Accumulator Tank 0.75 L / 1 L

Accumulator tanks hold a reservoir of air and water down stream from the pump. The air acts as a cushion, absorbing pump and pressure fluctuations, smoothing the flow and making the system quieter. Accumulators allow the pump to reach shut-off pressure more smoothly which reduces the on/off cycle which gives better control of hot water delivery.

FEATURES & BENEFITS

- Smoother flow, quieter water systems.
- Internal rubber membrane eliminates maintenance and allows universal mounting.
- Better control of hot water temperatures.
- Simply fitted to new or existing systems.
- Longer pump life, lower battery drain.
- Snap-in port fittings.



Standard Accessories:



Optional Accessories:



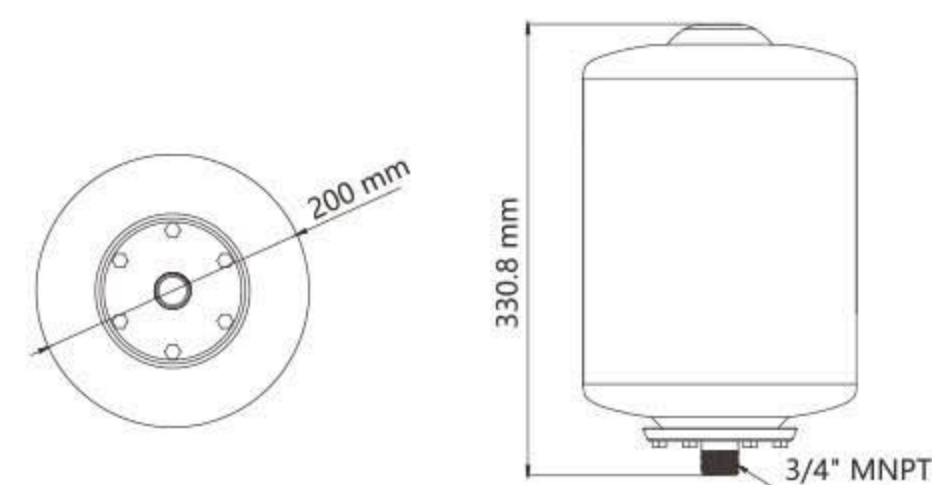
PRODUCT SPECIFICATIONS

| Model | Internal Volume | Pre-charge Pressure | Max Operating Pressure | Air Fill Valve | Inlet/Outlet Dia | Weight | Dimensions |
|-----------------|-------------------|---------------------|------------------------|--------------------------------------|------------------|--------|----------------------------|
| SFAT-075-125-01 | 0.75 L 23.5 OZ | 10 PSI 0.7 BAR | 125 PSI 8.6 BAR | standard automotive style tire valve | 1/2" MNPT | 360 g | 8.1"x4.6" 205mm x 116mm |
| SFAT-100-125-01 | 1.0 L 33.8 OZ | 10 PSI 0.7 BAR | 125 PSI 8.6 BAR | standard automotive style tire valve | 1/2" MNPT | 660 g | 12"x4.6" 300mm x 114mm |

8L Water Accumulator Tank

FEATURES & BENEFITS

- Making flow more smoother
- Prolong pump's service life
- protective coating for corrosion resistance
- 3/4" MNPT thread for convenient installation in the water system



Standard Pump Configurations

| Model | Tank Volume | Max. Pressure | Inlet/outlet size | Net Weight |
|-----------------|-------------|----------------|-------------------|------------|
| SFAT-087-021-01 | 8L | 87 PSI (6 Bar) | 3/4" MNPT | 2 KG |



33 Series Economic Water Pressure System

3.0 GPM/11.3LPM Pump with Integrated Accumulator Tank

42 Series Quietest Water Pressure System

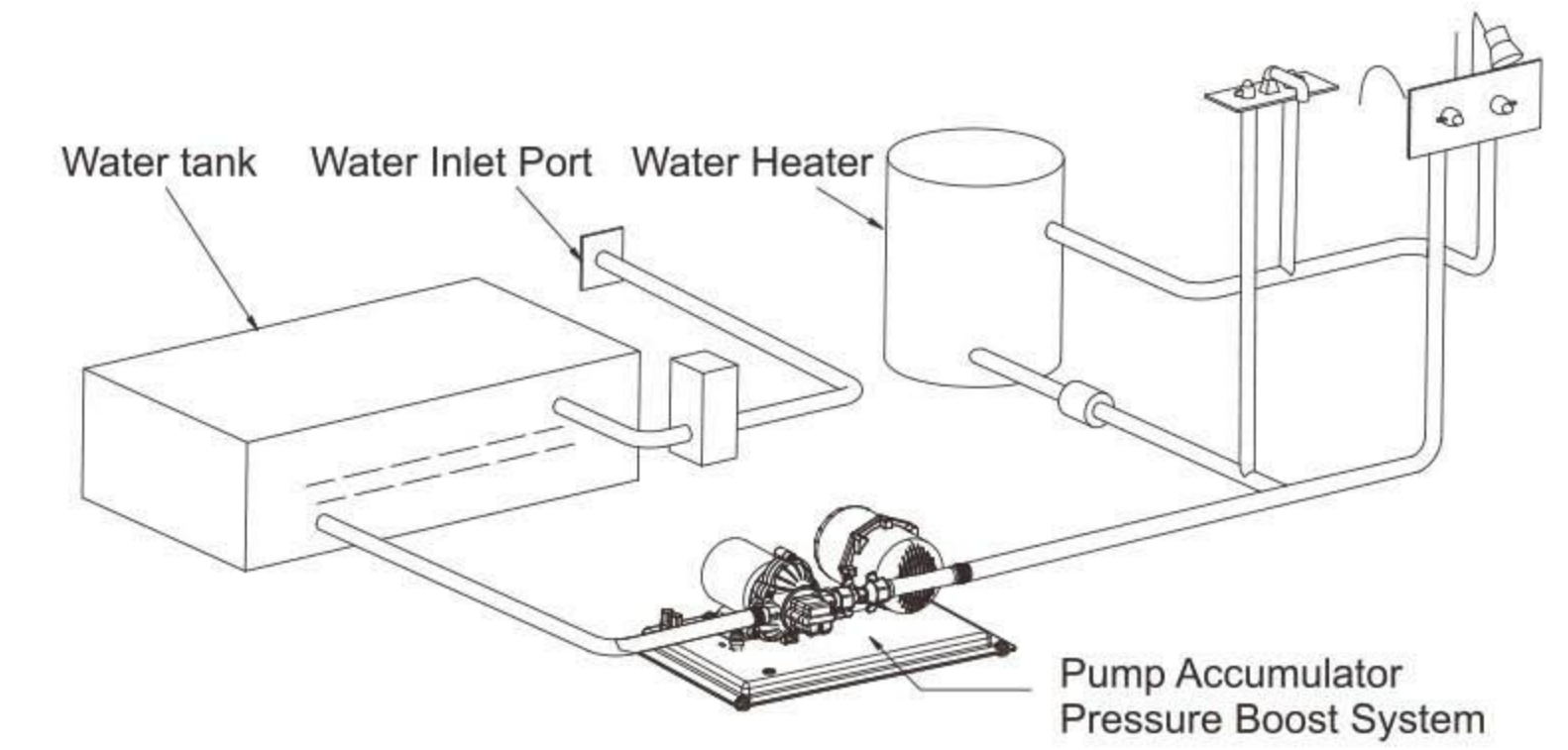
3.0 GPM/11.3LPM Pump with Integrated Accumulator Tank

51 Series High Flow Water Pressure System

5.5 GPM/20.8LPM Pump with Integrated Accumulator Tank

FEATURES & BENEFITS

- Ultra quiet with constant and steady flow
- Superior self-priming capabilities
- Powerful enough to supply up to 5 fixtures
- Built-in adjustable pressure switch
- Easy pre-assembled installation
- Heavy-duty, corrosion resistant motor
- Capable of being run dry without damage
- Can be fitted to new or existing systems



PUMP

Max Recommended Temperature

140 °F (60 °C) Max.

Priming Capabilities

6 feet (1.8 m) suction lift

Inlet/Outlet Ports

1/2" MNPT

Standard Accessories:



Standard Pump Configurations

| Model | Tank Volume | Voltage | Control Type | GPM/LPM | Pressure On (PSI / BAR) | Pressure Off (PSI / BAR) | Max Draw (A) | Ports | Wire Connections |
|--|-------------|---------|------------------|----------|-------------------------|--------------------------|--------------|-----------|------------------|
| 33 Series Economic Water Pressure System | | | | | | | | | |
| SFWSK1-030-045-002 | 0.75 L | 12 V | Switch | 3.0/11.3 | 35/2.4 | 45/3.1 | 11.0 | 1/2" MNPT | 2-Pin/Leads |
| SFWSK2-030-045-002 | 0.75 L | 24 V | Switch | 3.0/11.3 | 35/2.4 | 45/3.1 | 5.5 | 1/2" MNPT | 2-Pin/Leads |
| 42 Series Quietest Water Pressure System | | | | | | | | | |
| SFWSK1-030-055-002 | 0.75 L | 12 V | Switch & By Pass | 3.0/11.3 | 45/3.1 | 55/3.8 | 7.5 | 1/2" MNPT | 2-Pin/Leads |
| SFWSK2-030-055-002 | 0.75 L | 24 V | Switch & By Pass | 3.0/11.3 | 45/3.1 | 55/3.8 | 4.0 | 1/2" MNPT | 2-Pin/Leads |
| 51 Series High Flow Water Pressure System | | | | | | | | | |
| SFWSK1-055-060-003 NEW | 1.0 L | 12 V | Switch | 5.5/20.8 | 50/3.4 | 60/4.2 | 18.0 | 1/2" MNPT | 2-Pin/Leads |
| SFWSK2-055-060-003 NEW | 1.0 L | 24 V | Switch | 5.5/20.8 | 50/3.4 | 60/4.2 | 9.0 | 1/2" MNPT | 2-Pin/Leads |



Portable Toilets, Rv Toilets And Marine Toilets

SEAFLO offers a complete line of portable toilets and marine toilets to fit most outdoor and marine applications. The SEAFLO portable toilet is intended for mobile use, such as camping, boating, caravans, cabins, medical, children, home, emergencies, etc. It has high quality construction and makes it strong and durable. Its lightweight design makes it easy to transport and be placed anywhere.

SEAFLO Marine toilets with both pump & bowl are interchangeable with JABSCO, in 12v and 24v models. Their rugged design provides performance that you can rely on for years.



Portable Toilet

- Features & Benefits**
- Impact & drop resistant, well-sealed
 - Double-layer seal to isolate peculiar smell
 - Compact design for easy storage and transportation
 - Large, comfortable seat, simple to use, easy to maintain
 - Split portable design, easy to carry
 - Anti-slip and anti-drop design
 - No external water or power connections required
 - The surface of the material is smooth, easy to wash, safe and environmentally friendly
 - Blow molding process is integrated, durable and leak-proof

Marine Toilet

- Features & Benefits**
- Both pump & bowl are interchangeable with JABSCO.
 - All spare parts can be ordered individually.
 - Easy-to-clean china bowl.
 - Includes heavy-duty push button and 1"-1/2" discharge hose adapter.
 - Built-in Back Flow Preventer.
 - All Corrosion Resistant Material for Marine Use.
 - Electric toilets or manually operated toilets with regular bowl or compact size available.



Premium Portable Travel Toilet

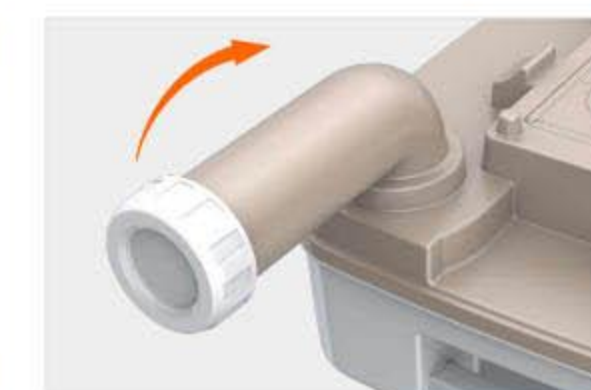
Your best choice for Marine, RV, Camping, Board Room, Medical Care, Pregnant women, Children and The Elderly.

FEATURES & BENEFITS

- Powerful Tri-Directional Flush
- Fresh Water Tank with Piston-Flush
- Slick Anti-Stick Oversized Bowl
- Detachable Fully-Sealed Holding Tank
- Rotating Elbow For Clean & Distant Dumping
- Air Relief Button Eliminates Gurgles & Splash Back
- Sealed Design Prevents Leaks, Spills and Odors
- Removable Seat & Cover For Easy Cleaning
- Waste Tank Level Indicator
- Sleek, Lightweight & Durable Modern Design



Level Indicator
Display the level of content in waste tank, avoid overflow protection.



270° Rotating Emptying Spout
M60mm rotating spout, for hygiene and better experience.



Built-in Storage Bin
Can put toilet paper or detergent



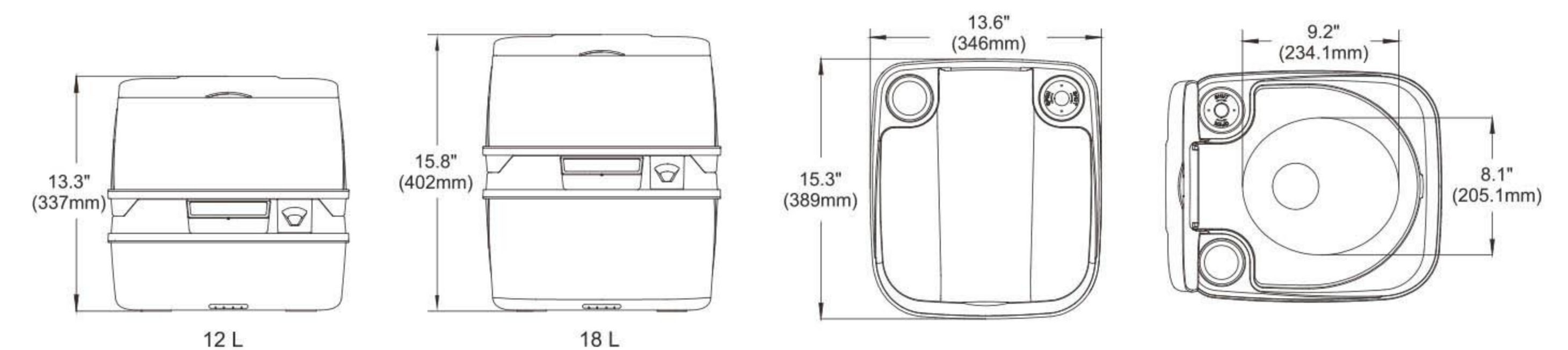
Air Release Button
Press the button to prevent spilling and splashing before use. Decompression valve exhausts to prevent sewage from spraying out.



Powerful Tri-Directional Flush Nozzle
360° vortex scouring. It uses as little as 50ml water to flush the whole bowl and waste tank can be cleaned thoroughly. Ergonomic toilet seat, longer, deeper and more comfortable.



Upgraded Lock Buckle
Connect the two tanks firmly together



| Model | Fresh water tank | Waste holding tank | Dimension(L*W*H)mm | Color | Material | Package includes |
|------------|-------------------|--------------------|--------------------|-------|--------------|---|
| SFPT-12-03 | 10 L (2.6 Gallon) | 12 L (3.2 Gallon) | 389*346*337 | White | PP, POM, ABS | 1 x Portable Toilet, 1 x Owners' Manual |
| SFPT-18-03 | 10 L (2.6 Gallon) | 18 L (4.8 Gallon) | 389*346*402 | White | PP, POM, ABS | 1 x Portable Toilet, 1 x Owners' Manual |



Multifunctional Portable Toilet 20L

Your best choice for Marine, RV, Camping, Board Room, Medical Care, Pregnant women, Children and The Elderly.

FEATURES & BENEFITS

- Impact & drop resistant, well-sealed
- Double-layer seal to isolate peculiar smell
- Compact design for easy storage and transportation
- Large, comfortable seat, simple to use, easy to maintain
- Split portable design, easy to carry
- Anti-slip and anti-drop design
- Blow molding process is integrated, durable and leak-proof
- Load-bearing connection lock
- The surface of the material is smooth, easy to wash, safe and environmentally friendly



Level Indicator
Display the level of content in waste tank, avoid overflow protection.



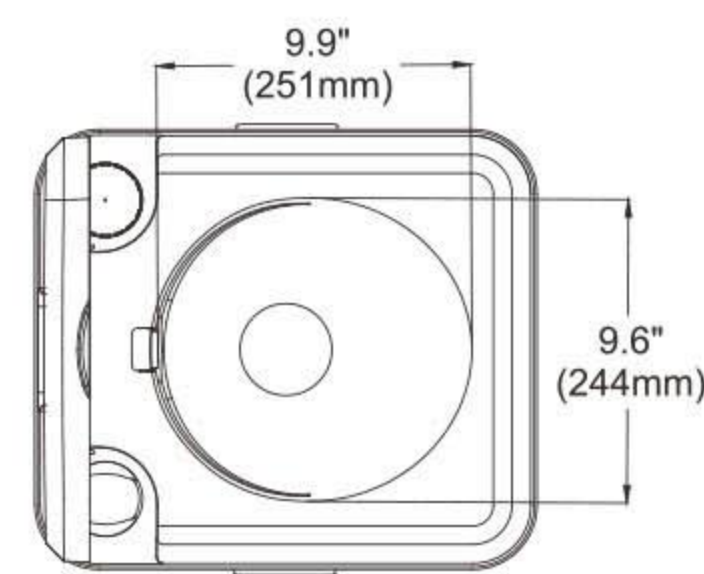
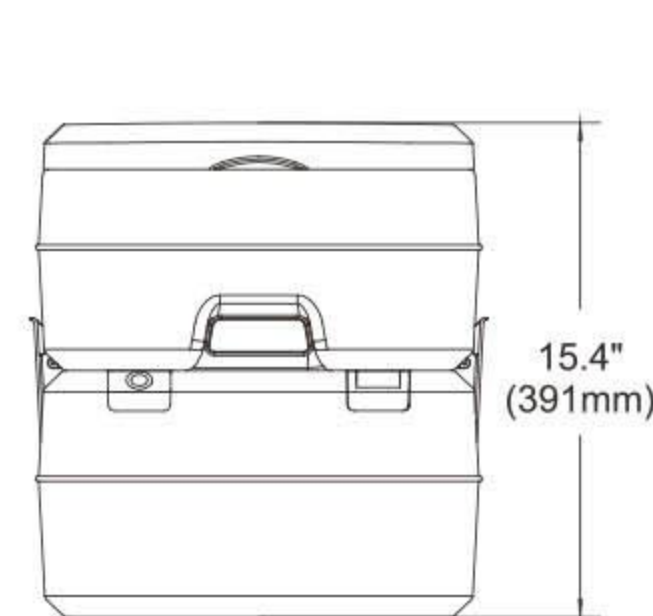
180° Rotating emptying spout
M60mm rotating spout, for hygiene and better experience.



Air Release Button
Press the button to prevent spilling and splashing before use. Decompression valve exhausts to prevent sewage from spraying out.



T-type flush nozzle and bowl
360° vortex scouring. It uses as little as 50ml water to flush the whole bowl and waste tank can be cleaned thoroughly. Ergonomic toilet seat, longer, deeper and more comfortable.



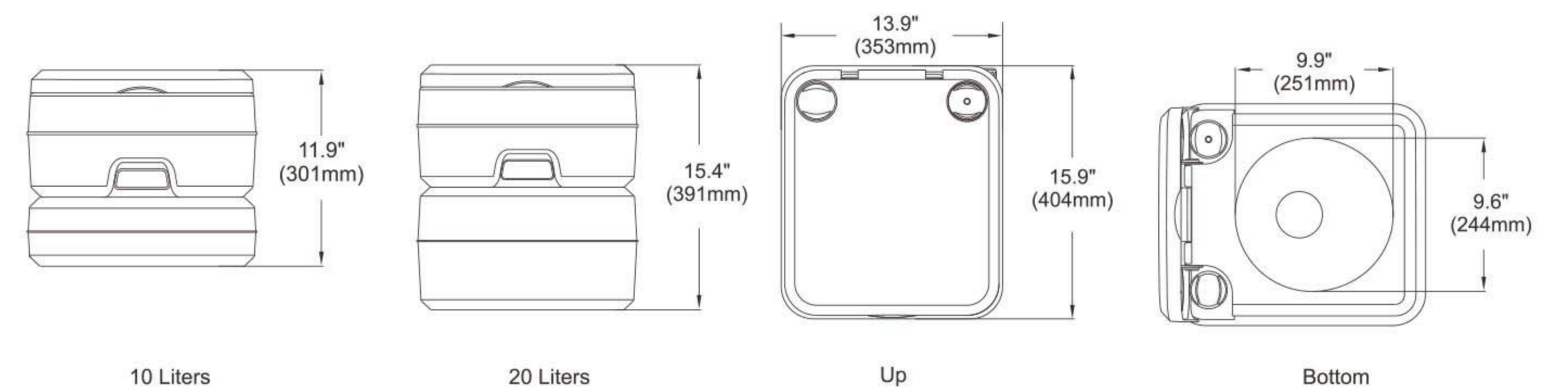
| Model | Fresh water tank | Waste holding tank | Dimension(L*W*H)mm | Color | Material | Package includes |
|------------|--------------------|--------------------|--------------------|-------|-------------------|---|
| SFPT-20-02 | 13 L (3.43 Gallon) | 20 L (5.28 Gallon) | 404*353*391 | Grey | PP, PA, HDPE, ABS | 1 x Portable Toilet, 1 x Owners' Manual |

Portable Toilet

Your Best Choice For Marine, Rv, camping Board Room, Medical Care, Children

FEATURES & BENEFITS

- Light weight and durable
- Brand new and high quality
- Compact design for easy storage and transportation
- Large, comfortable seat, simple to use, easy to maintain
- No external water or power connections required
- Easy to carry, easy to clean



| Model | Fresh water tank | Waste holding tank | Dimension(L*W*H)mm | Color | Material | Package includes |
|------------|--------------------|--------------------|--------------------|-------|-------------------|---|
| SFPT-10-01 | 13 L (3.43 Gallon) | 10 L (2.64 Gallon) | 404*353*301 | Grey | PP, PA, HDPE, ABS | 1 x Portable Toilet, 1 x Owners' Manual |
| SFPT-20-01 | 13 L (3.43 Gallon) | 20 L (5.28 Gallon) | 404*353*391 | Grey | PP, PA, HDPE, ABS | 1 x Portable Toilet, 1 x Owners' Manual |



SFRTPH-01-01

SFRTPH-01-02



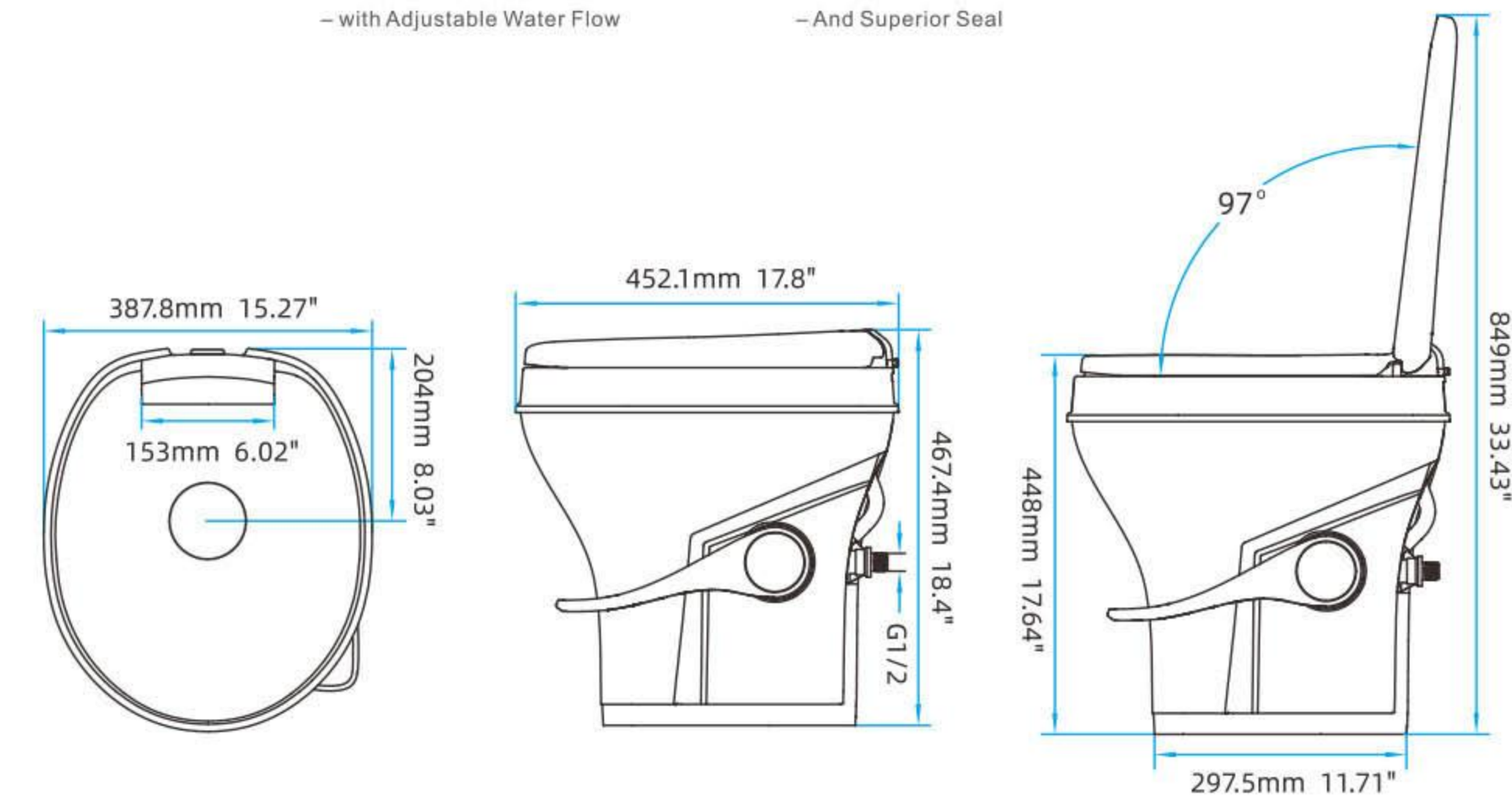
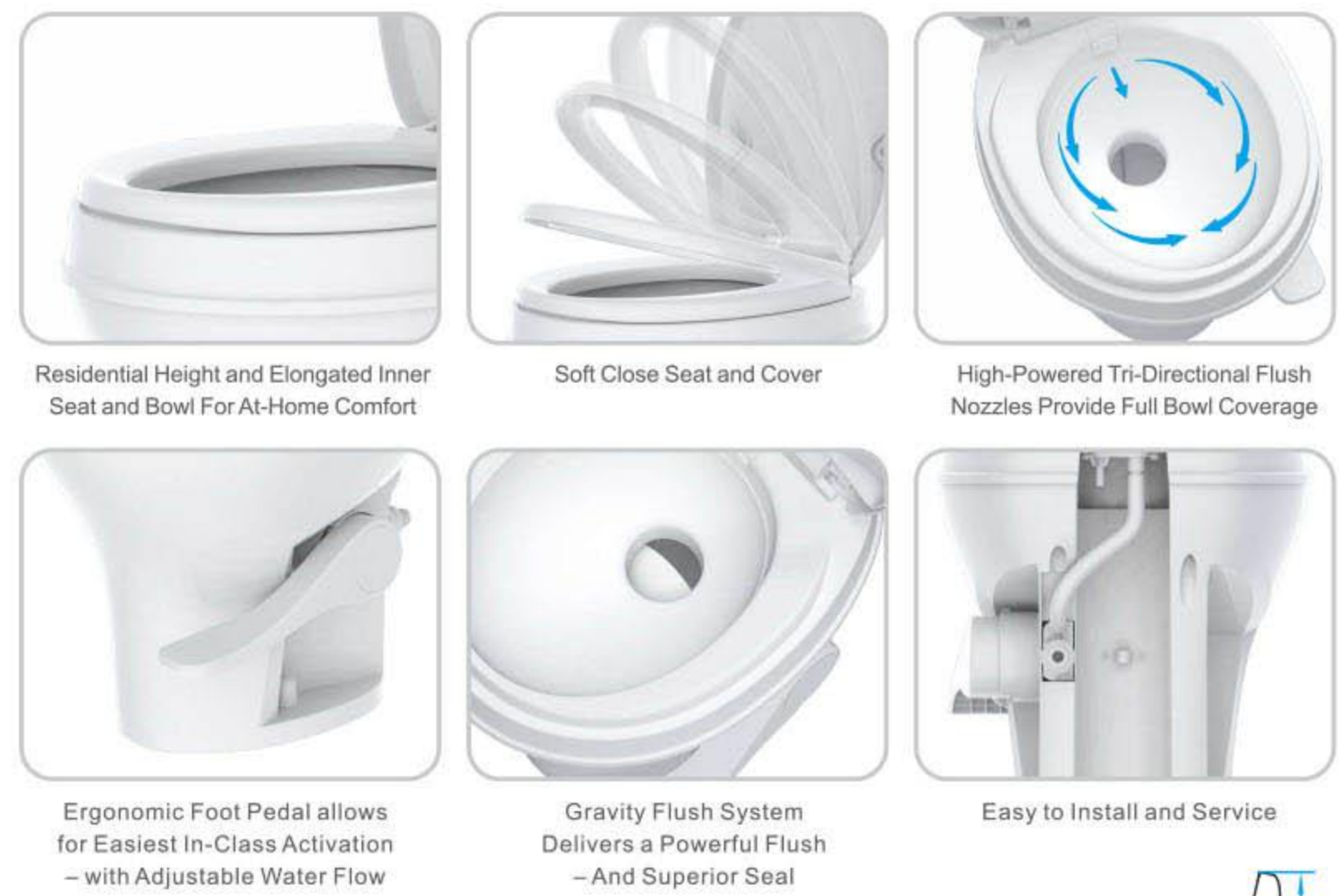
SFRTCH-01-01

SFRTCH-01-02

Residential Height Rv Toilet-Plastic

FEATURES & BENEFITS

- Sleek, Lightweight and Durable Modern Design
- Residential Height with Elongated Inner Seat and Bowl - Brings at Home Comfort to your RV
- High-Powered Tri-Directional Flush Nozzles Remove Waste Completely with Each Flush
- Ergonomic Foot Pedal allows for Easiest In-Class Activation -with Adjustable Water Flow
- Soft Close Seat and Cover – Prevents Slamming when in Motion
- Slick Anti-Stick Oversized Bowl Allows for Easy Flushing
- Bowl Design Prevents Splash-Back
- Design Optimization Allows for Easiest In-Class Cleaning
- Easy to Install - Mounting Brackets Engineered for Easier Accessibility for Faster Installation

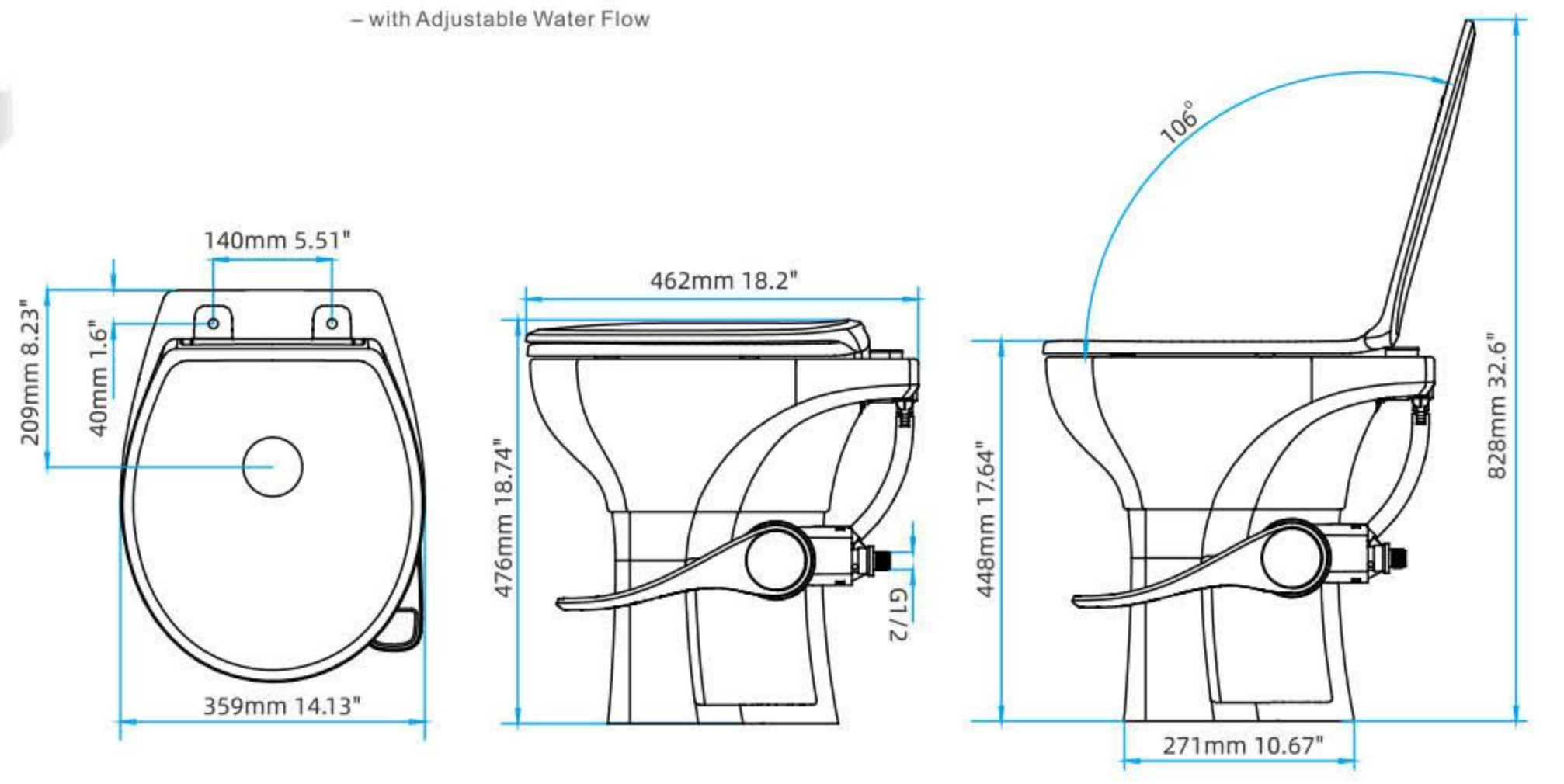


| Model | Size | Accessories | Dimension |
|--------------|-------------------------|----------------|---------------|
| SFRTPH-01-01 | Standard Height - 18.5" | No | 452x388x468mm |
| SFRTPH-01-02 | Standard Height - 18.5" | Hand Spray Kit | 452x388x468mm |

Residential Height Rv Toilet-Ceramic

FEATURES & BENEFITS

- Deep, 100 % vitreous ceramic bowl
- Residential Height with Elongated Inner Seat and Bowl - Brings at Home Comfort to your RV
- High-Powered Tri-Directional Flush Nozzles Remove Waste Completely with Each Flush
- Ergonomic Foot Pedal allows for Easiest In-Class Activation -with Adjustable Water Flow
- Soft Close Seat and Cover – Prevents Slamming when in Motion
- Slick Anti-Stick Oversized Bowl Allows for Easy Flushing
- Bowl Design Prevents Splash-Back
- Design Optimization Allows for Easiest In-Class Cleaning
- Easy to Install - Mounting Brackets Engineered for Easier Accessibility for Faster Installation



| Model | Size | Accessories | Dimension |
|--------------|-------------------------|----------------|---------------|
| SFRTCH-01-01 | Standard Height - 18.5" | No | 462x359x476mm |
| SFRTCH-01-02 | Standard Height - 18.5" | Hand Spray Kit | 462x359x476mm |

Hand Spray Kit

FEATURES & BENEFITS

- White, hand spray hose for rv toilet
- Makes rinsing the bowl a breeze
- Convenient way to save water
- includes hose and wall mount



| Model | Color |
|-----------|-------|
| SFRTK-002 | White |

RV Toilet Seat & Cover

FEATURES & BENEFITS

- Designed for use with SEAFLO Gravity Flush RV Toilet
- Soft close seat
- Easy to replace
- Soft Close Seat



| Model | Color |
|-----------|-------|
| SFRTK-006 | White |

Socket Floor Flange

FEATURES & BENEFITS

- Replacement socket floor flange for RV Toilet
- Easy to install
- Fits 3" to 4" drain pipes
- Perfect close seal with the floor
- Prevent the toilet from shaking



| Model | Color |
|------------|-------|
| SFRTK1-001 | White |
| SFRTK2-001 | Black |

RV Toilet Seal

FEATURES & BENEFITS

- RV Toilet Seal Replacement for Gravity Flush RV Toilet
- Easy to Install
- High Quality, long service life
- Size: Outer Diameter: 4 Inch; Inner Diameter: 2.75 Inch.



| Model | Color |
|-----------|-------|
| SFRTK-005 | Black |

Water Valve Kit

FEATURES & BENEFITS

- Toilet Water Valve Kit Replacement Kit Compatible with SEAFLO Gravity Flush RV Toilet
- Use high-quality materials to extend the service life of the valve
- Easy to use

| Model | Color |
|-----------|-------|
| SFRTK-003 | White |
| SFRTK-004 | White |



Bio-pak For Spetic Toilet Treatment

Simply add one Bio-Pak into the toilet holding tank by flushing or directly add. The entire packet dissolves. Use adequate water to disperse packet contents and cover the bottom of the holding tank. Wait for 24 hours until the dirt in the pool is completely decomposed, and then it can be discharged directly. Typically one pack of product can be used for a 20 gallon pool.

FEATURES & BENEFITS

- Remove odors / No fungicide / Formaldehyde free
- 100% biodegradable
- Safe and reliable / No residues
- Rapidly degrades paper and feces

MAIN INGREDIENTS

Biological enzymes, adsorbents, deodorants, flocculants



SFTB-01

Suitable for RV, marine, portable toilet and family

NEW

SEAFLO
Deluxe Flush Electric Toilets

Electric Flush Pump
SFMTPE-05 (12V) / SFMTP2-05 (24V)

Fresh Water 05 Series

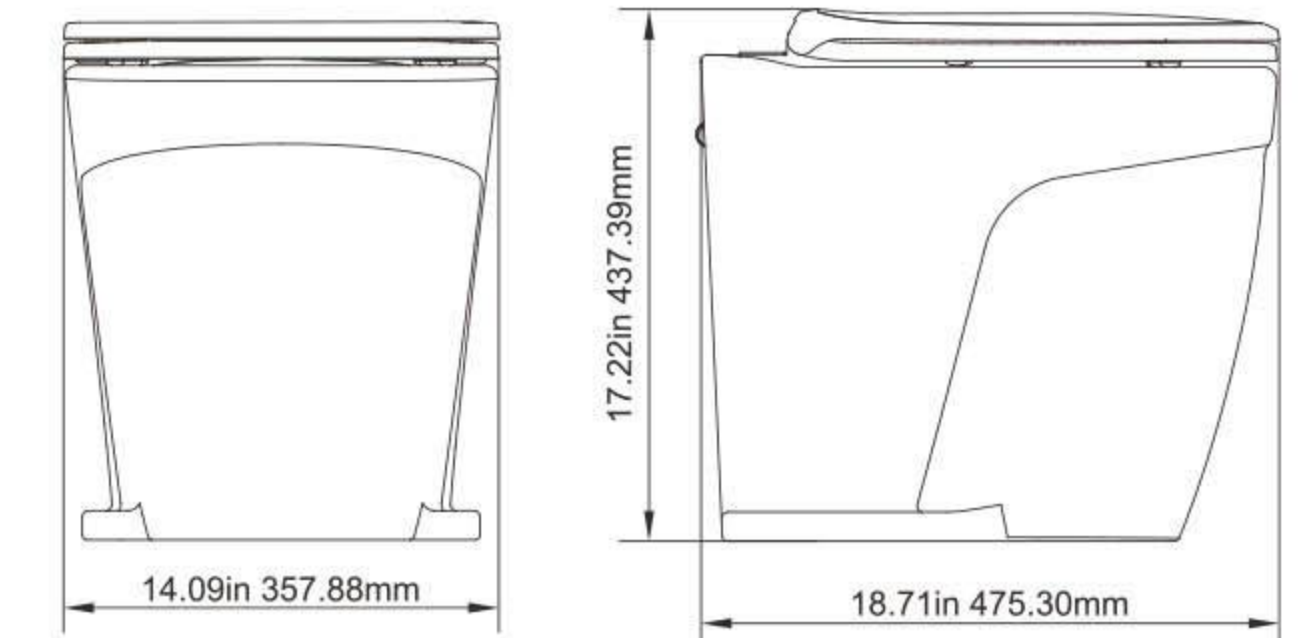
Sea Water 06 Series

Deluxe Flush Electric Toilets

SEAFLO Deluxe Flush Electric Toilets feature low noise levels, so sleeping guests will not be disturbed when the toilet is used. There are options of either flushing with fresh water from the boat's own supply or with salt, river or lake water from outside the boat. All plumbing and wiring easily concealed.

FEATURES & BENEFITS

- Modern design, clean, sleek look and compliment with different styles
- Very quiet flush cycle - like a household toilet
- Low water consumption □ Unmatched rinsing capabilities
- Single button flush actuator - with dual function water level control switch
- Designed to be used with fresh and seawater.
- All plumbing and wiring easily concealed
- High capacity waste macerator and bowl discharge pump
- All spare parts can be ordered individually
- Ignition Protection



- Toilet smart switch panel SFSP-015-04**
 - Specifically for the Deluxe Flush Marine Toilets
 - 4-way flush control panel
 - Features 4 smart touch controls: "Fill", "Quick Flush", "Flush" and "Empty"
 - DC 12v or 24v available
- Solenoid Valve & Siphon Breaker SFSV1-01**
 - Standard accessory
 - Ensures no backflow into the water system
- Rinse Pump SFDP1-040-050-43T**
 - Standard accessory
 - Self priming, strong suction, quiet operation
 - Run dry safe, max flow can reach 4.0GPM

| Model | Voltage | Max Draw | Rinse Water Variant | Port | Material | Features | Box Dimension (L*W*H) |
|-----------|---------|----------|---------------------|---|-------------------------------|--------------------|-------------------------------------|
| SFMTPE-05 | 12V | 20A | Fresh | Inlet 3/4" Hose Barb Outlet 1 1/2" Hose Barb | Ceramic bowl, soft close seat | Built in macerator | 570X450X515 mm 22.4"x17.7"x20.3" |
| SFMTPE-05 | 24V | 10A | | | | | |
| SFMTPE-06 | 12V | 20A | Raw | | | | |
| SFMTPE-06 | 24V | 10A | | | | | |

NEW

Regular

Compact



SFMTM-01-R

SFMTM-01

Hand Flush Pump
SFMTM-03



Color Box



Manually Operated Marine Toilet

SEAFLO Manually Operated Marine Toilet can be installed in both power and sailing craft, either above or below the waterline, for use on sea, river, lake or canal. Your installation may discharge the waste either overboard (provided that your national and local regulations allow this), or into a treatment system or into an on-board holding tank (U.S.C.G. Marine Sanitation Devices Type I, II and III).

FEATURES & BENEFITS

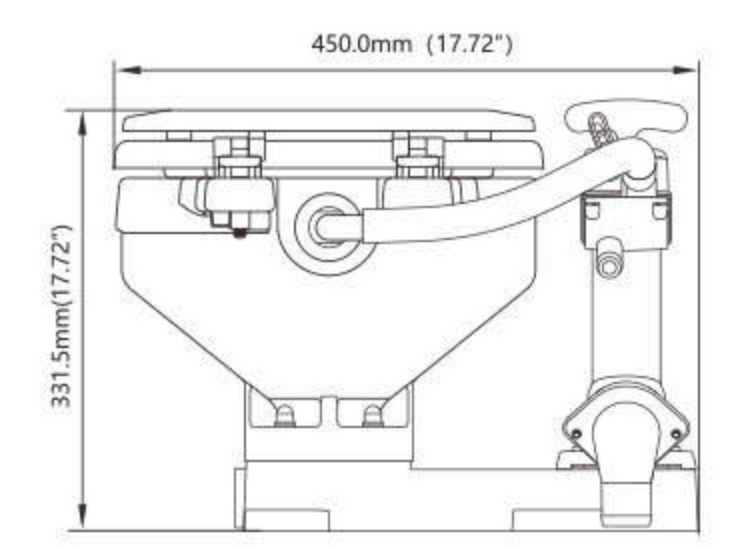
- Baked enamel seat & cover in compact or regular size.
- Twist "n" Lock handle eliminates leaks.
- Can be reassembled with the pump on the right or left side.
- Powerful self-priming pump for above or below waterline installation.
- Crevice free contours and smooth mouldings for added hygiene.
- Automatic vacuum breaker for easier pumping.
- Angled pump housing and long stroke for ease of installation.
- Wood seat with baked enamel finish for compact type only.
- Soft close seat for regular type only.



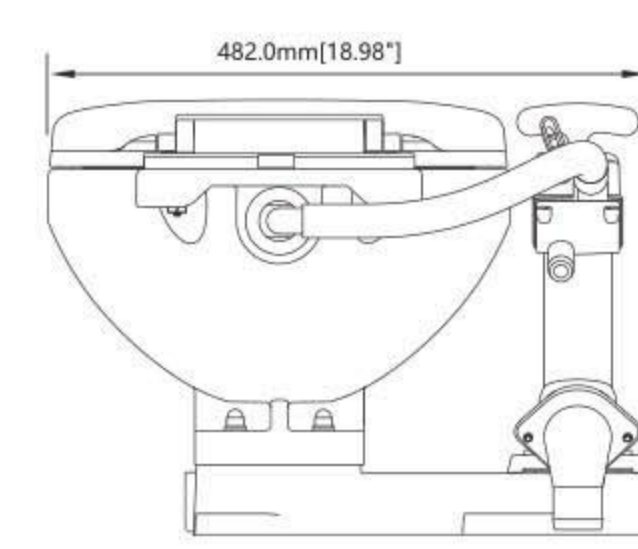
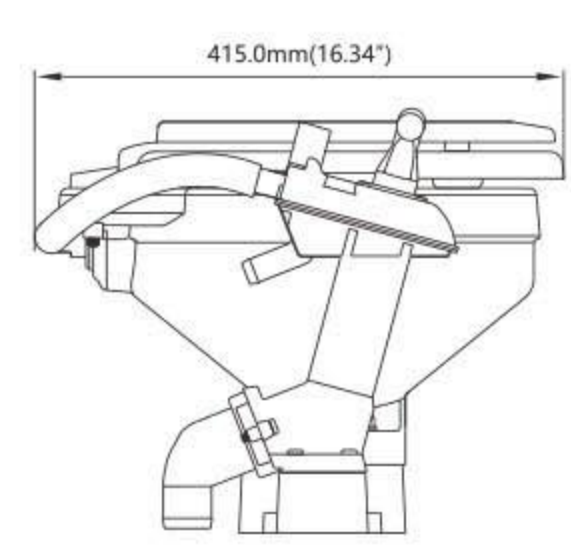
Color Box



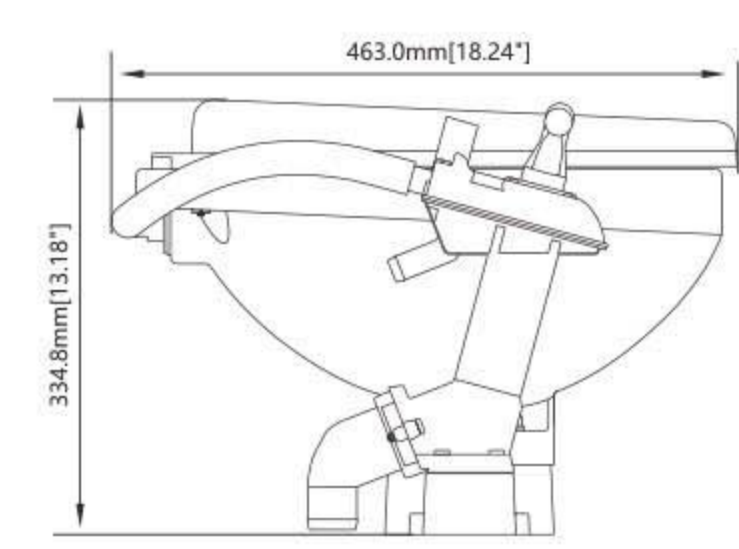
Regular



Compact



Regular



| Model | Color | Diameter | Size | Type | Material |
|------------|-------|-----------------------------|---------|---------------|--|
| SFMTM-01 | White | 3/4" Inlet 1 1/2" Discharge | Compact | Manual Piston | Ceramic bowl, wood seat with baked enamel finish |
| SFMTM-01-R | White | 3/4" Inlet 1 1/2" Discharge | Regular | Manual Piston | Ceramic bowl, Soft close seat |

Macerator Pump 01 Series

FEATURES & BENEFITS

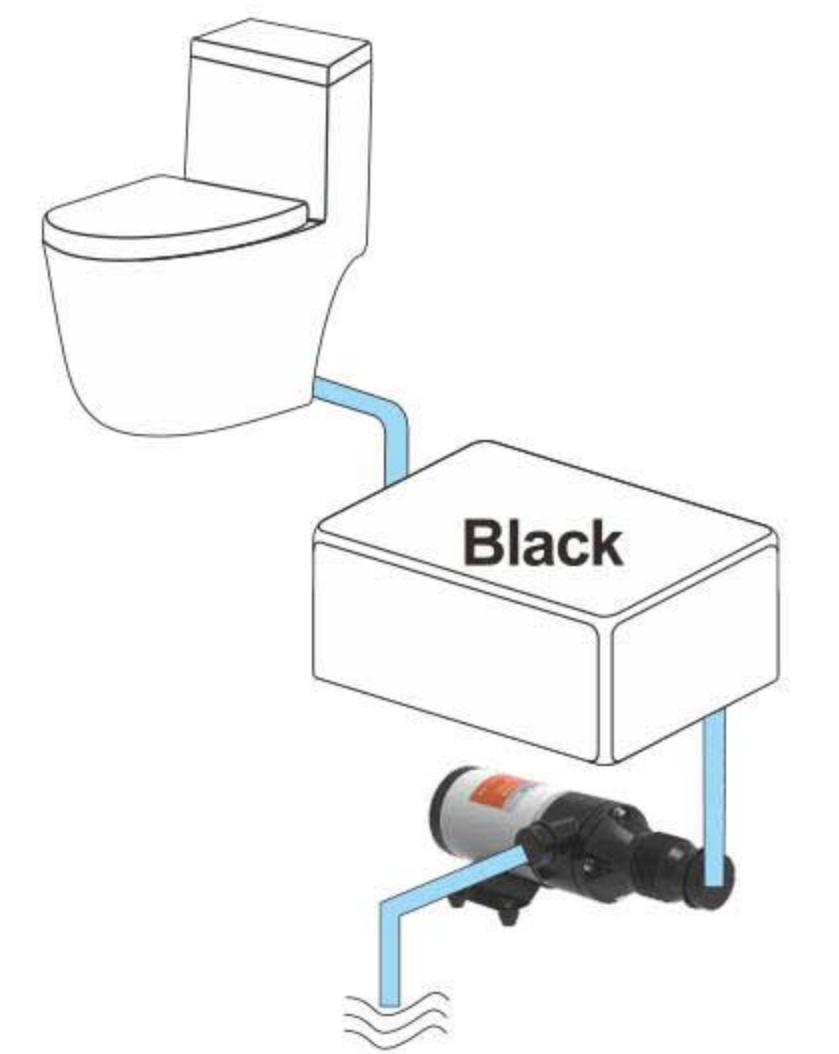
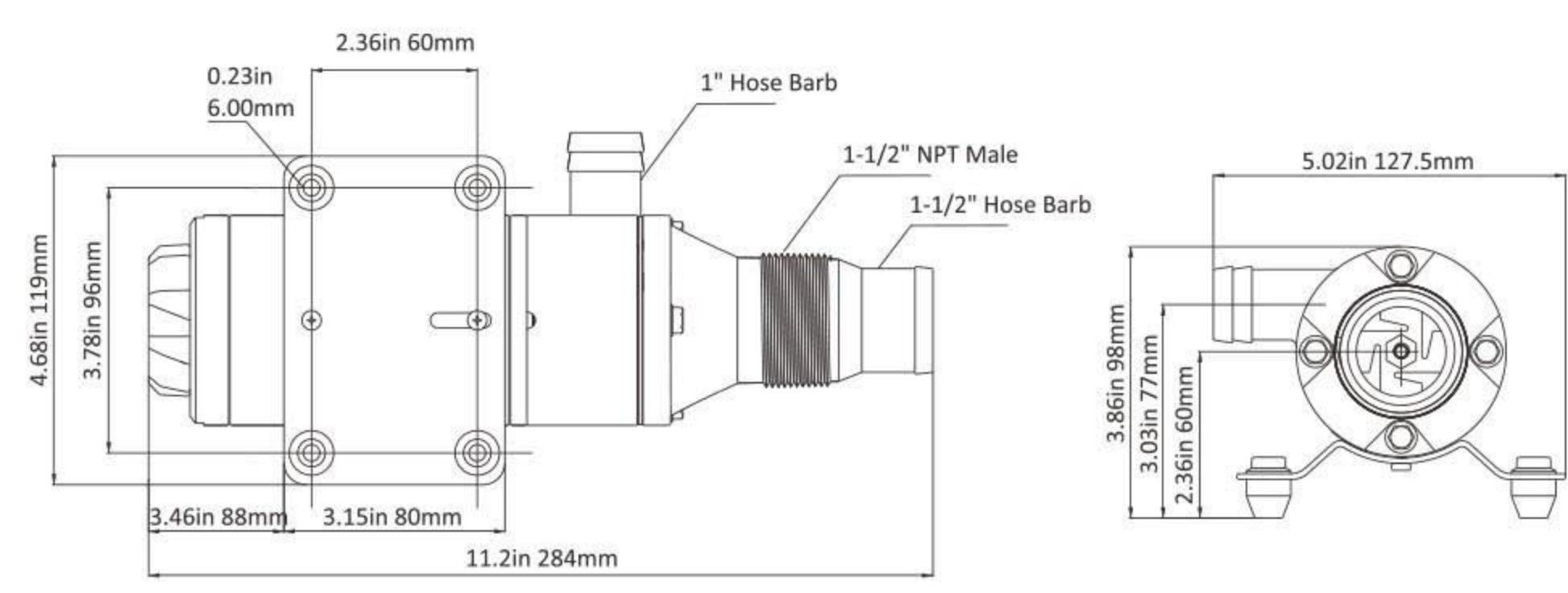
- Completely new design
- Sealed motor
- Easy reach knob in case of clogs
- Run Dry for short periods of time
- New 4-blade design
- Thermally Protected
- Ignition Protected

PUMP

- Liquid Temperature**
140 °F (60 °C) Max.
- Power**
12 amps max current draw
- Weight**
4.9 lbs (2.24 kg)

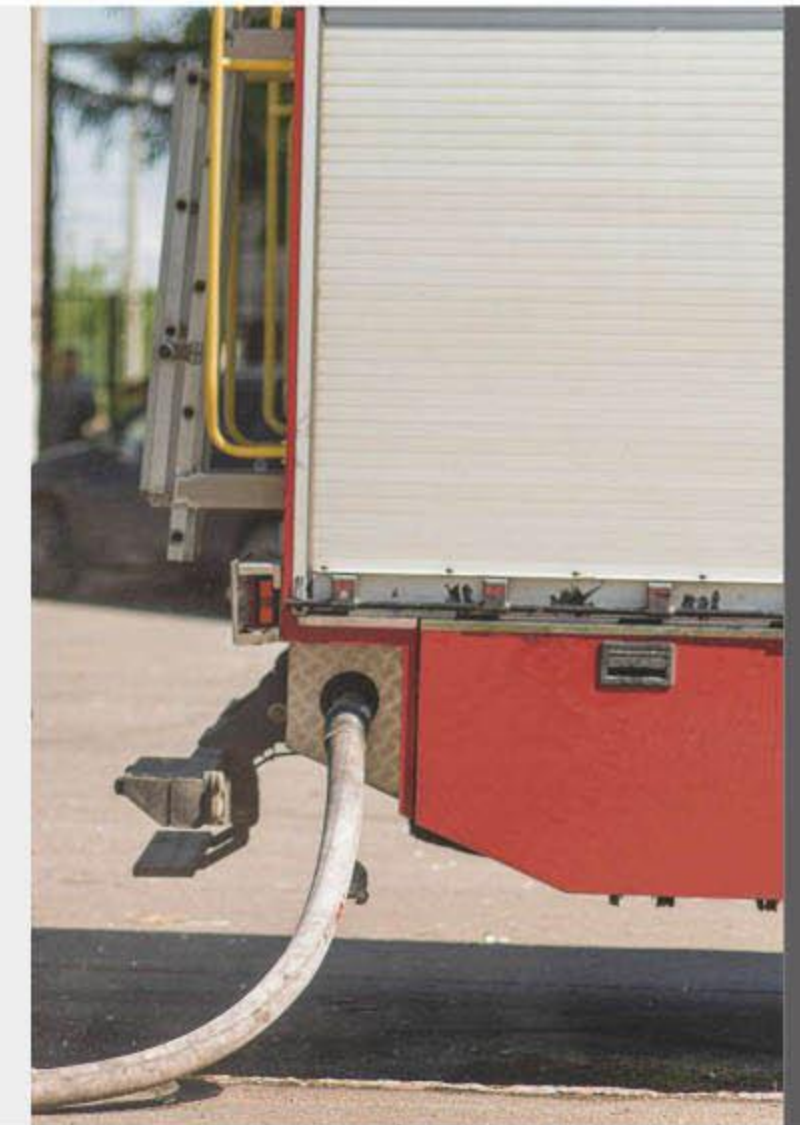
Inlet/Outlet Ports

- Inlet:**
1.5" (39 mm) Hose Barb
1.5" (39 mm) Threaded Fitting
- Outlet:**
1" Hose Barb



Standard Pump Configurations

| Model | Voltage | GPM/LPM | Impeller | Ports | Lead | Molded | MaxDraw(A) |
|--------------|---------|---------|-------------------|--|------|--------|------------|
| SFMP1-120-01 | 12 V | 12/45.0 | Rubber & Aluminum | Inlet 1-1/2" Barb/1-1/2" NPT Outlet 1" Barb | Yes | N/A | 12.0 |
| SFMP2-120-01 | 24 V | 12/45.0 | Rubber & Aluminum | Inlet 1-1/2" Barb/1-1/2" NPT Outlet 1" Barb | Yes | N/A | 6.0 |



Macerator Pump 02 / 03 Series

FEATURES & BENEFITS

- Fresh water rinse capabilities
- Connects directly to the RV waste outlet
- Impeller can be loosened with an end back knob
- Ability to dump longer distances
- Easy clean up and storage
- New four blades for reducing clogging
- With manual blending function for emergency

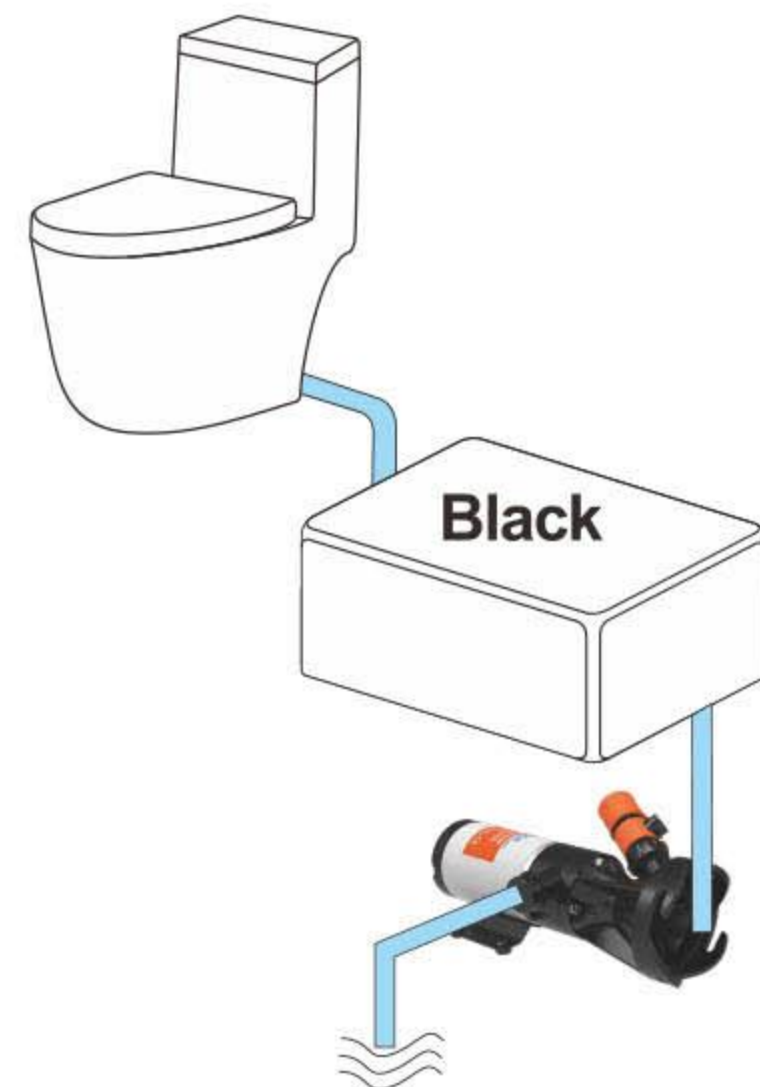
PUMP

Liquid Temperature
140 °F (60 °C) Max.

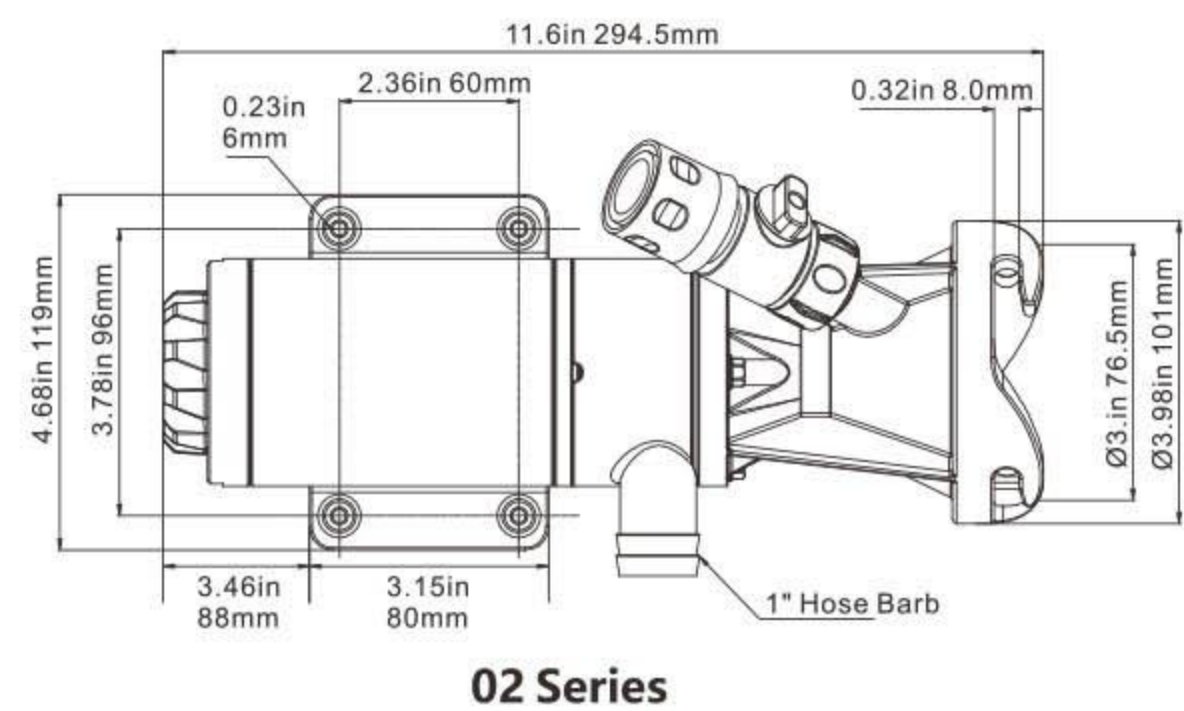
Power
12 amps max current draw

Weight
5.1 lbs (2.3 kg)

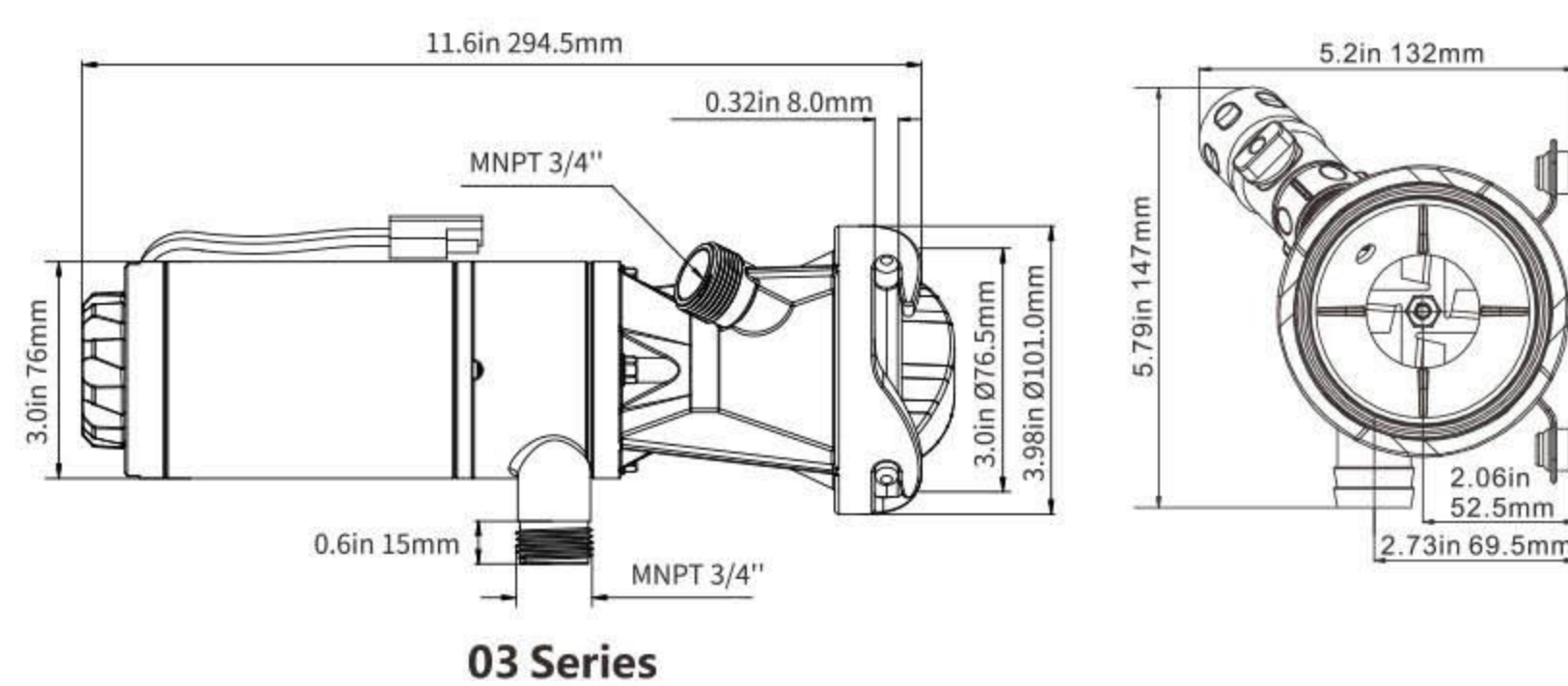
Inlet/Outlet Ports
Inlet:
3" (75 mm) RV Connector
Outlet:
1" Hose Barb (02 series)
3/4" MNPT (03 series)



Accessories



02 Series



03 Series

Standard Pump Configurations

| Model | Voltage | GPM/LPM | Impeller | Ports | Max Draw(A) |
|--------------|---------|---------|-----------------|---|-------------|
| SFMP1-120-02 | 12 V | 12/45.0 | Rubber & Copper | 3" (75 mm) RV Connector 1" Hose Barb | 12.0 |
| SFMP2-120-02 | 24 V | 12/45.0 | Rubber & Copper | 3" (75 mm) RV Connector 1" Hose Barb | 7.0 |
| SFMP1-120-03 | 12 V | 12/45.0 | Rubber & Copper | 3" (75 mm) RV Connector 3/4" MNPT | 15.0 |
| SFMP2-120-03 | 24 V | 12/45.0 | Rubber & Copper | 3" (75 mm) RV Connector 3/4" MNPT | 7.0 |

Portable Macerator Pump Kit

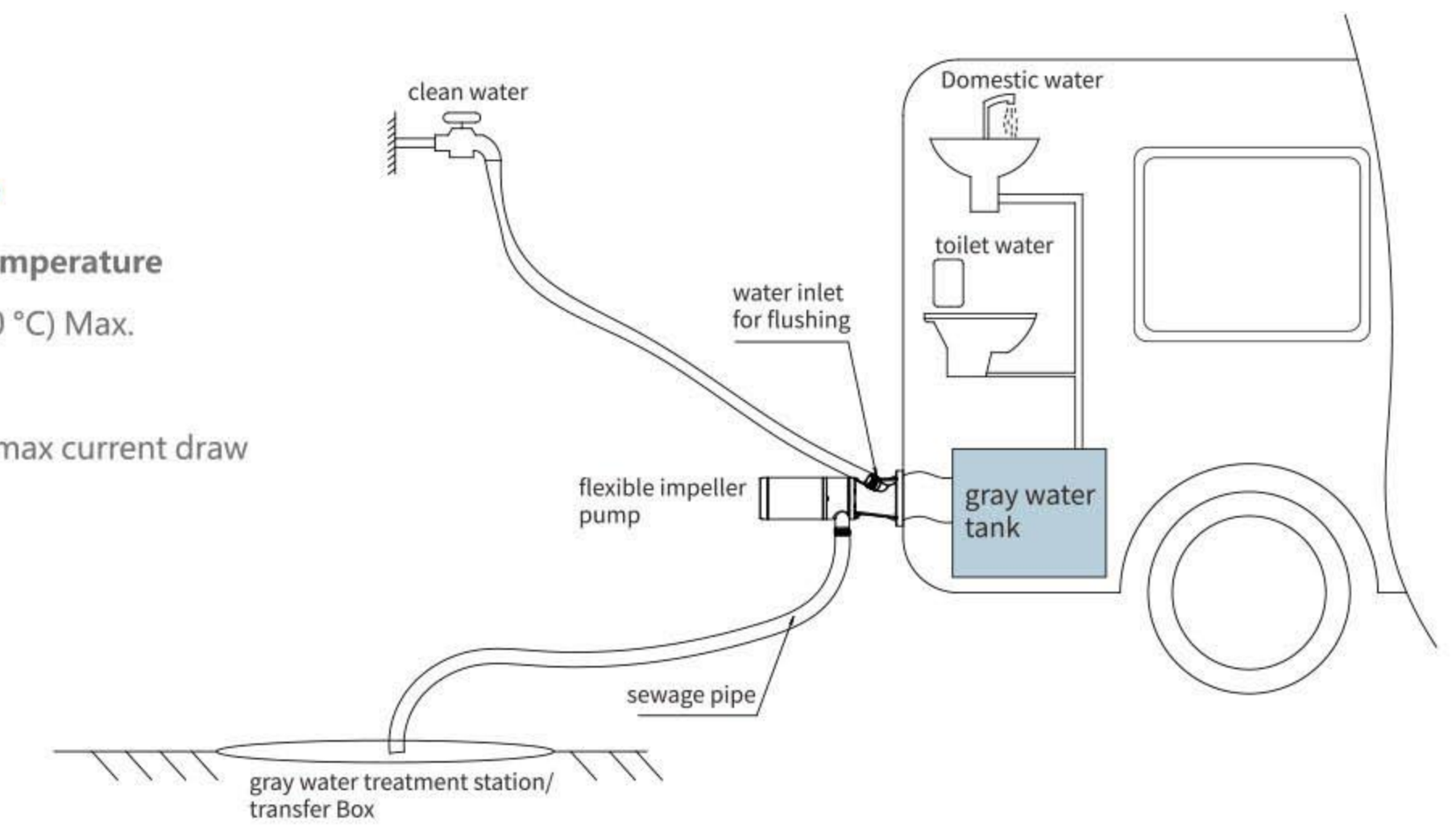
FEATURES & BENEFITS

- Connects directly to the RV waste outlet
- Garden hose discharge port
- Fresh water rinse capabilities
- Remote hand held on/off switch
- Ability to dump longer distances
- Ability to drain holding tanks at home
- Easy clean up and storage
- Rugged portable storage case
- Water inlet isolation cover to isolate odor
- Ignition protection

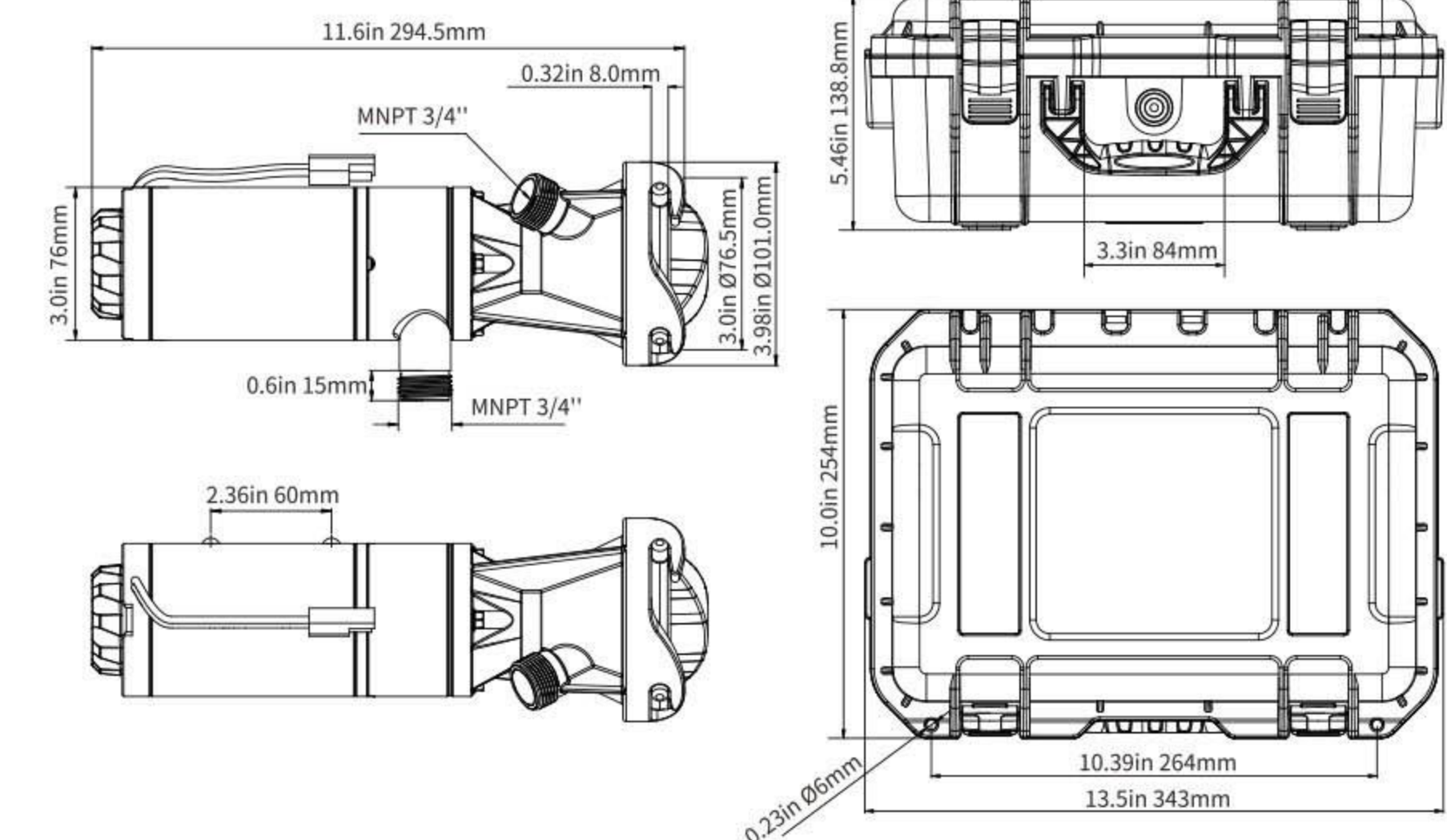
PUMP

Liquid Temperature
140 °F (60 °C) Max.

Power
12 amps max current draw



Accessories



Standard Pump Configurations

| Model | Voltage | GPM/LPM | Impeller | Ports | Max Draw(A) |
|--------------|---------|---------|-----------------|--------------------------------------|-------------|
| SFMP1-120-04 | 12 V | 12/45.0 | Rubber & Copper | 3" (75 mm) RV Connector 3/4" MNPT | 15.0 |
| SFMP2-120-04 | 24 V | 12/45.0 | Rubber & Copper | 3" (75 mm) RV Connector 3/4" MNPT | 7.0 |



Color Box



130 CFM

270 CFM



Color Box



145 CFM

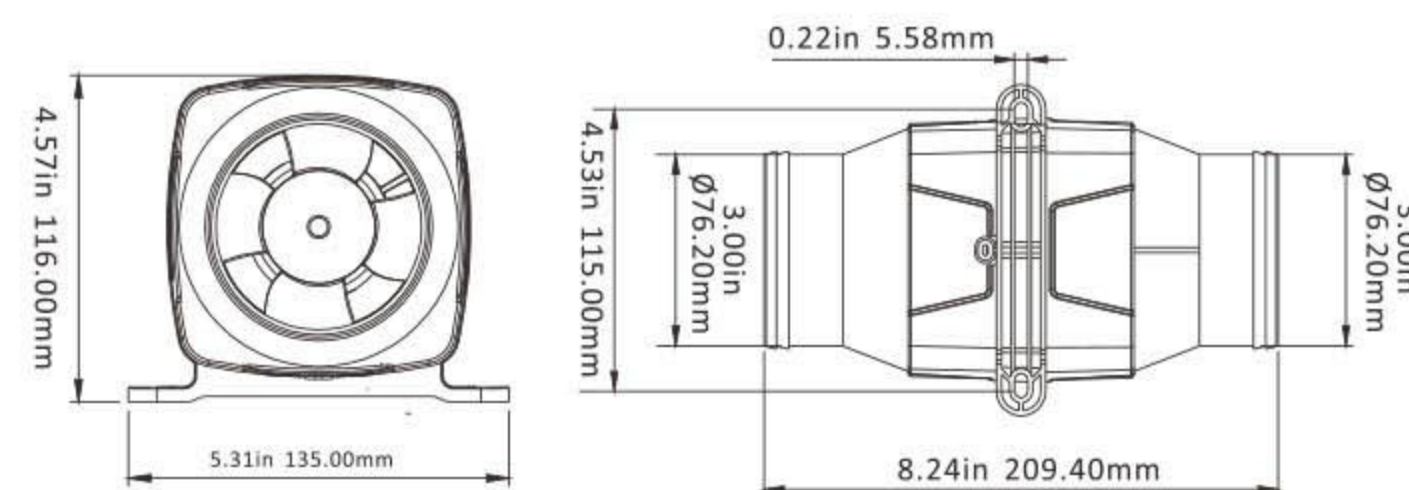
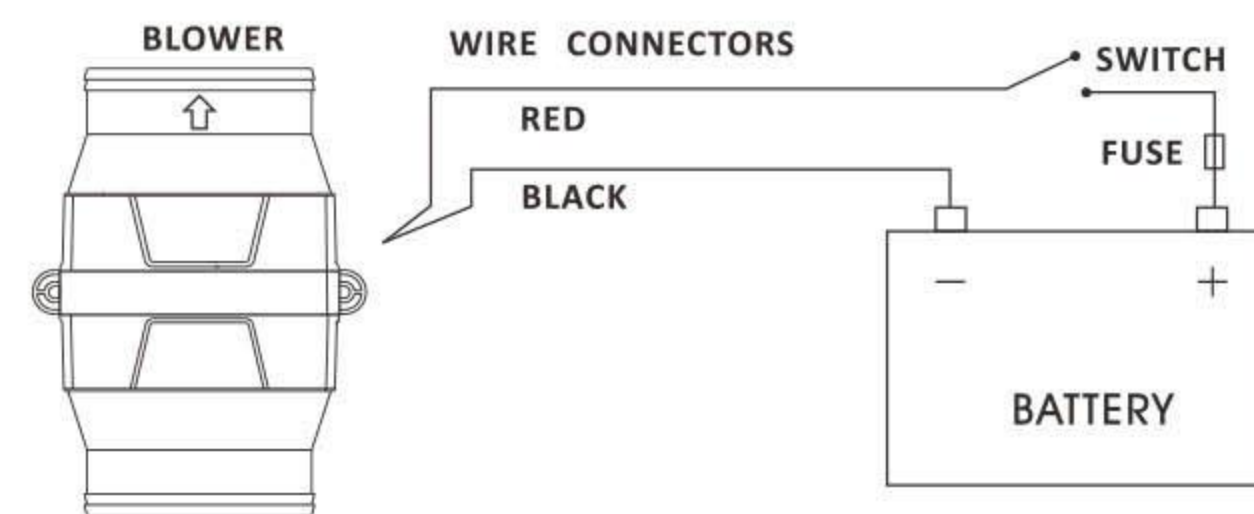
235 CFM



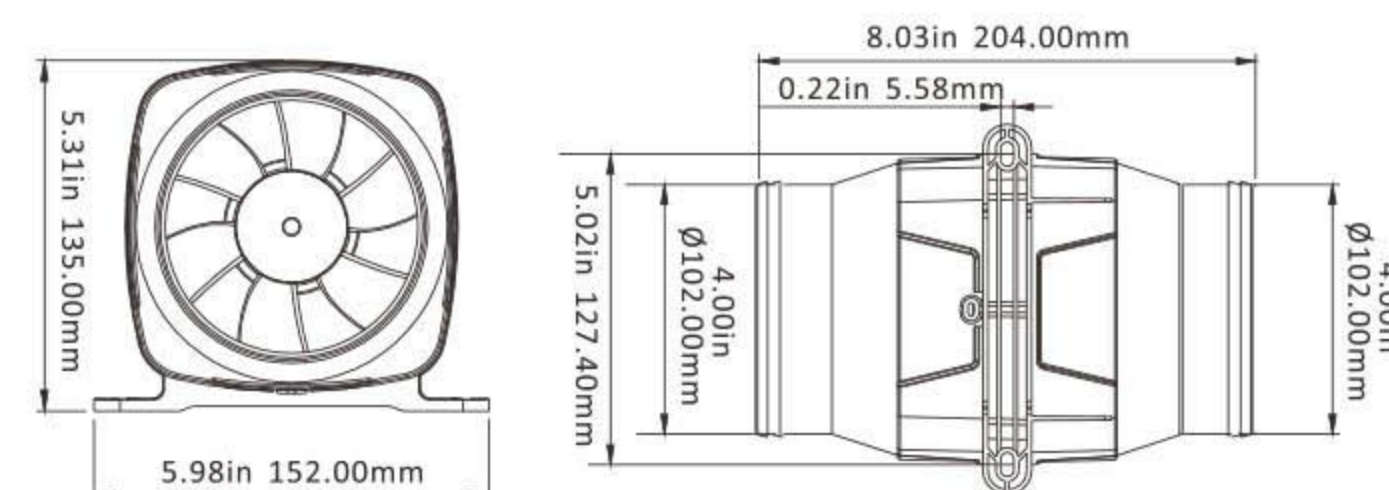
In-line Blowers 01 / 02 Series

FEATURES & BENEFITS

- Meets or exceeds ISO 8846 certification
- Built-in mounting feet allows easy vertical or horizontal installation
- Very low current draw, high volume air flow, long life
- Four/Six-blade fan maximizes airflow and efficiency
- Sealed motor shaft for moisture protection
- Corrosion resistant ABS plastic housing



130 CFM



270 CFM

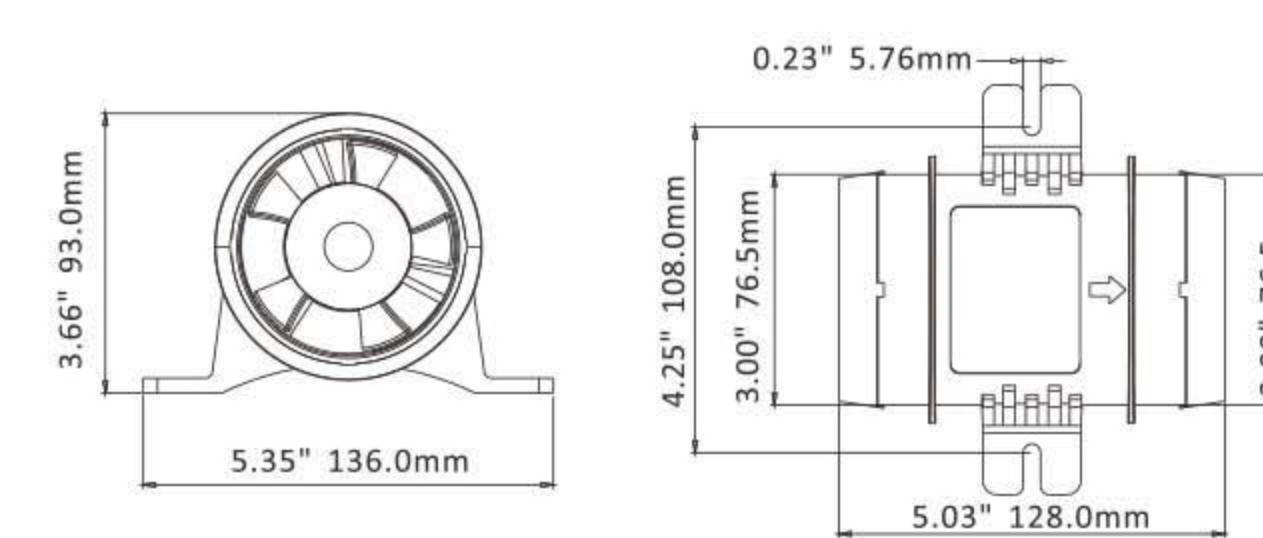
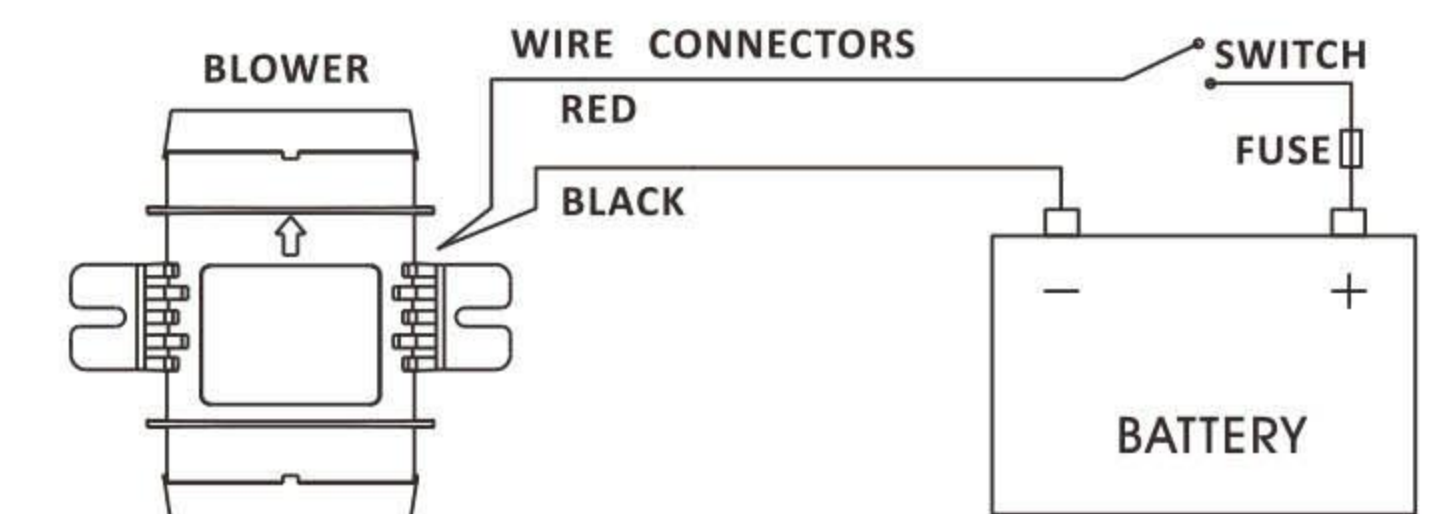
Technical Date

| Model | Volts(V) | Air Flow (cfm/cmh) | Amp Draw(A) | Fuse (A) | Intake Pipe Dia | Packing Size(mm) | N.W./G.W. (kg) |
|--------------|----------|--------------------|-------------|----------|-----------------|------------------|----------------|
| SFIB1-130-01 | 12V | 130/220 | 2.5A | 5.0A | 3" / 76 mm | 215*137*120 | 0.45/0.60 kg |
| SFIB2-130-01 | 24V | 130/220 | 1.3A | 3.0A | 3" / 76 mm | 215*137*120 | 0.45/0.60 kg |
| SFIB1-270-02 | 12V | 270/456 | 6.0A | 10.0A | 4" / 102 mm | 207*154*114 | 0.70/0.90 kg |
| SFIB2-270-02 | 24V | 270/456 | 3.0A | 5.0A | 4" / 102 mm | 207*154*114 | 0.70/0.90 kg |

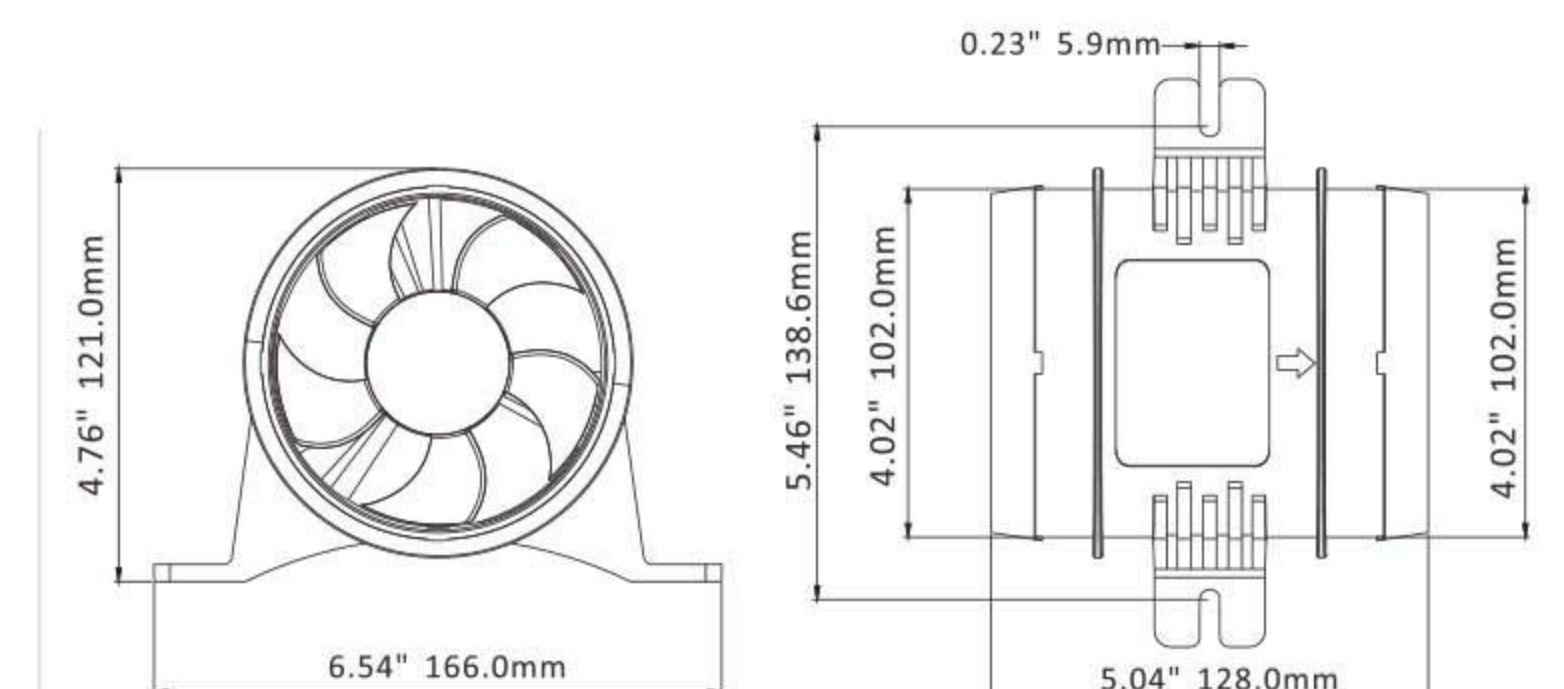
In-line Blowers 03 / 04 Series

FEATURES & BENEFITS

- Meets or exceeds ISO 8846 certification
- Built-in mounting feet allows easy vertical or horizontal installation
- Very low current draw, high volume air flow, long life
- Five blade fan maximizes airflow and efficiency
- Sealed motor shaft for moisture protection
- Corrosion resistant ABS plastic housing
- Smaller size for any limited area



145 CFM



235 CFM

Technical Date

| Model | Volts | Air Flow (cfm/cmh) | Amp Draw(A) | Fuse (A) | Intake Pipe Dia | Packing Size(mm) | N.W./G.W. (kg) |
|--------------|-------|--------------------|-------------|----------|-----------------|------------------|----------------|
| SFIB1-145-03 | 12 V | 145/247 | 3.0 | 5.0 | 3" / 76 mm | 140*133*95 | 0.34/0.41 kg |
| SFIB2-145-03 | 24 V | 145/247 | 1.5 | 2.5 | 3" / 76 mm | 140*133*95 | 0.34/0.41 kg |
| SFIB1-235-04 | 12 V | 235/400 | 4.0 | 7.0 | 4" / 102 mm | 170*133*123 | 0.40/0.49 kg |
| SFIB2-235-04 | 24 V | 235/400 | 2.0 | 4.0 | 4" / 102 mm | 170*133*123 | 0.40/0.49 kg |



Color Box



Durable copper terminal

Allows wire access in any direction

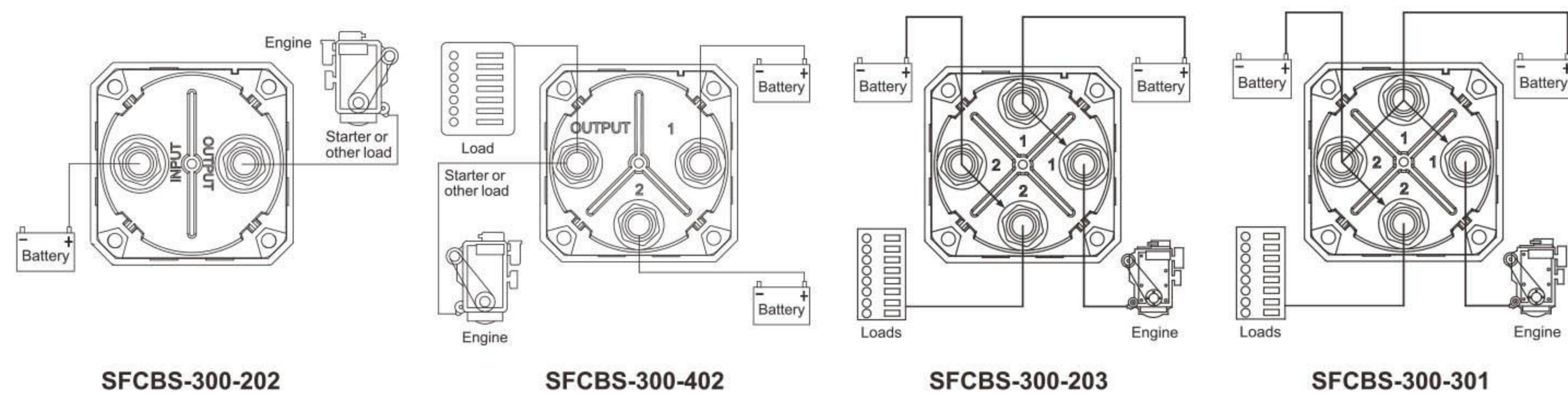
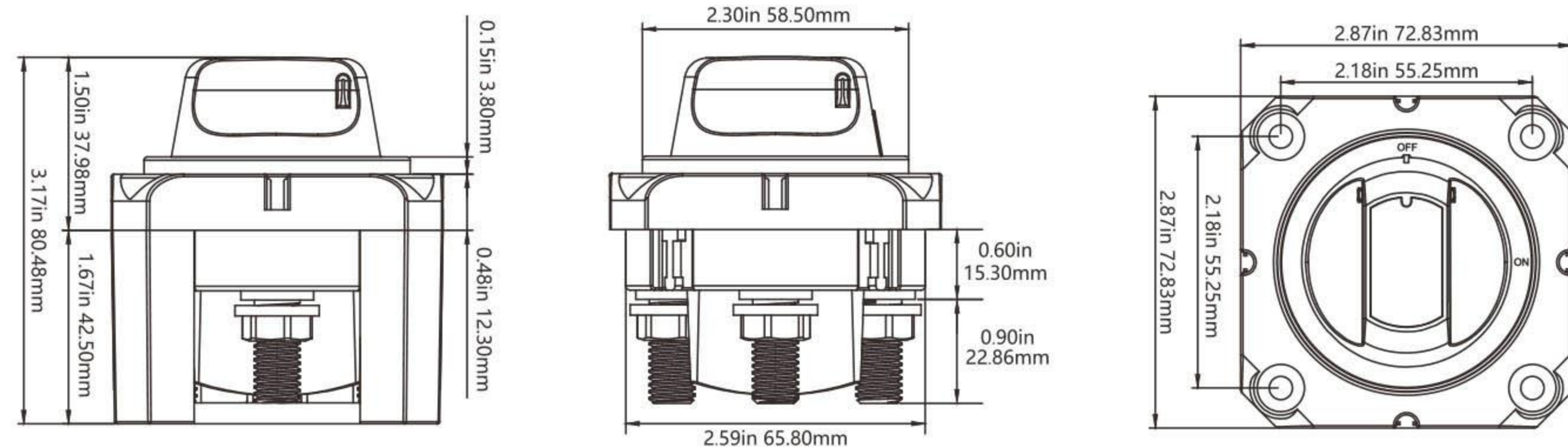
Battery Disconnect Switch

FEATURES

- Switches an isolated battery bank to all loads or combines battery banks to all loads
- The Combine function can be used to parallel the batteries in the event of a low engine battery. (only SFCBS-300-301)
- Tin-plated copper studs for maximum conductivity and corrosion resistance
- Studs accept 3/8" (M10) ring terminals
- One-piece terminal stud design never loosens over time
- Isolating cover with three snap-off side pieces protects rear contacts and allows wire access in any direction
- Widely Use: DC 12-48V, could be used for Car, Vehicle, RV, Boat and Electrical equipments.

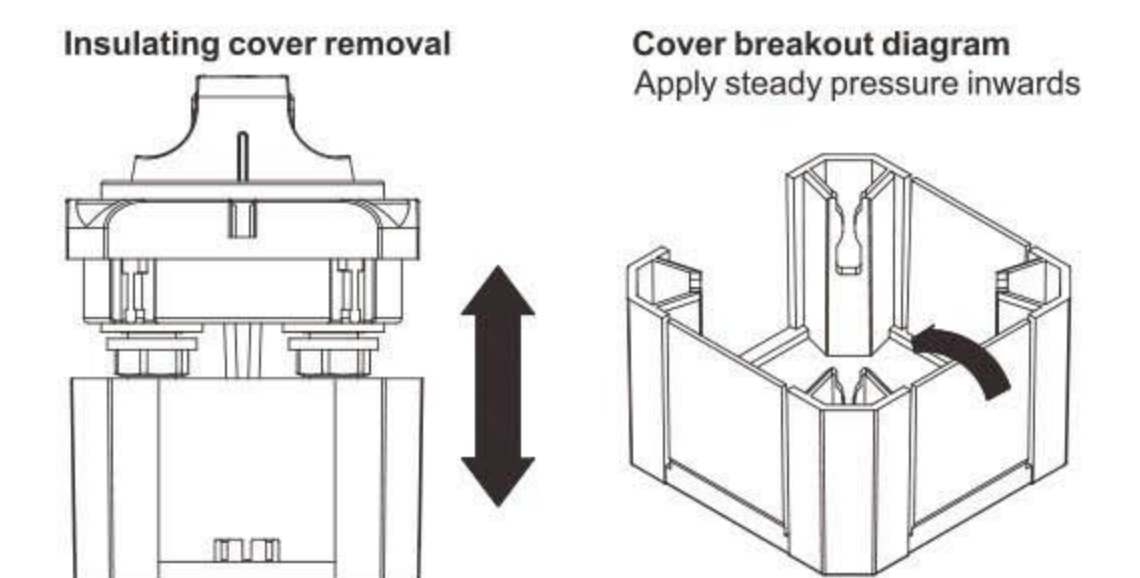
Regulatory

- CE, UKCA, RoHS, ISO 8846
- Meets all American Boat and Yacht Council (ABYC) requirements for battery switches
- Meets UL 1500 and SAE J1171 external ignition protection requirements
- IP66 – protected against powerful water jets



Technical Data

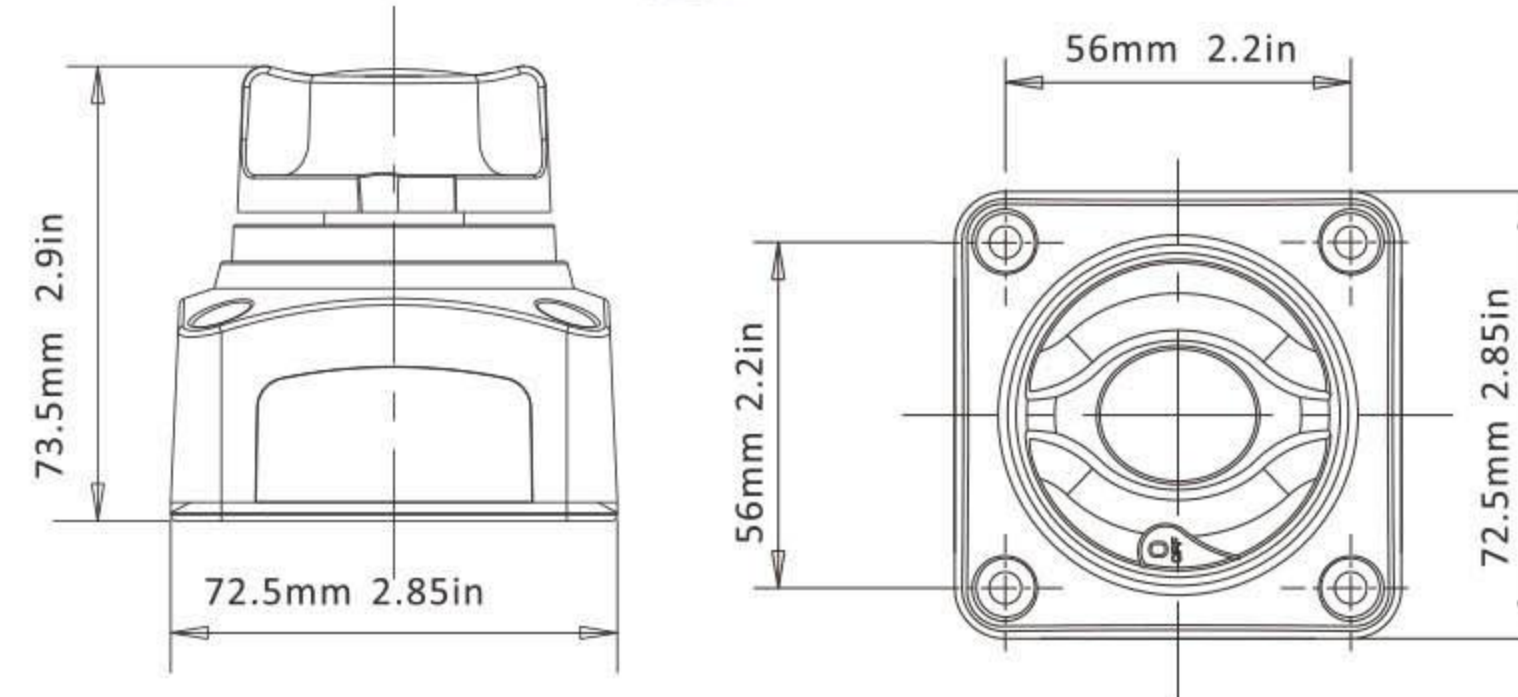
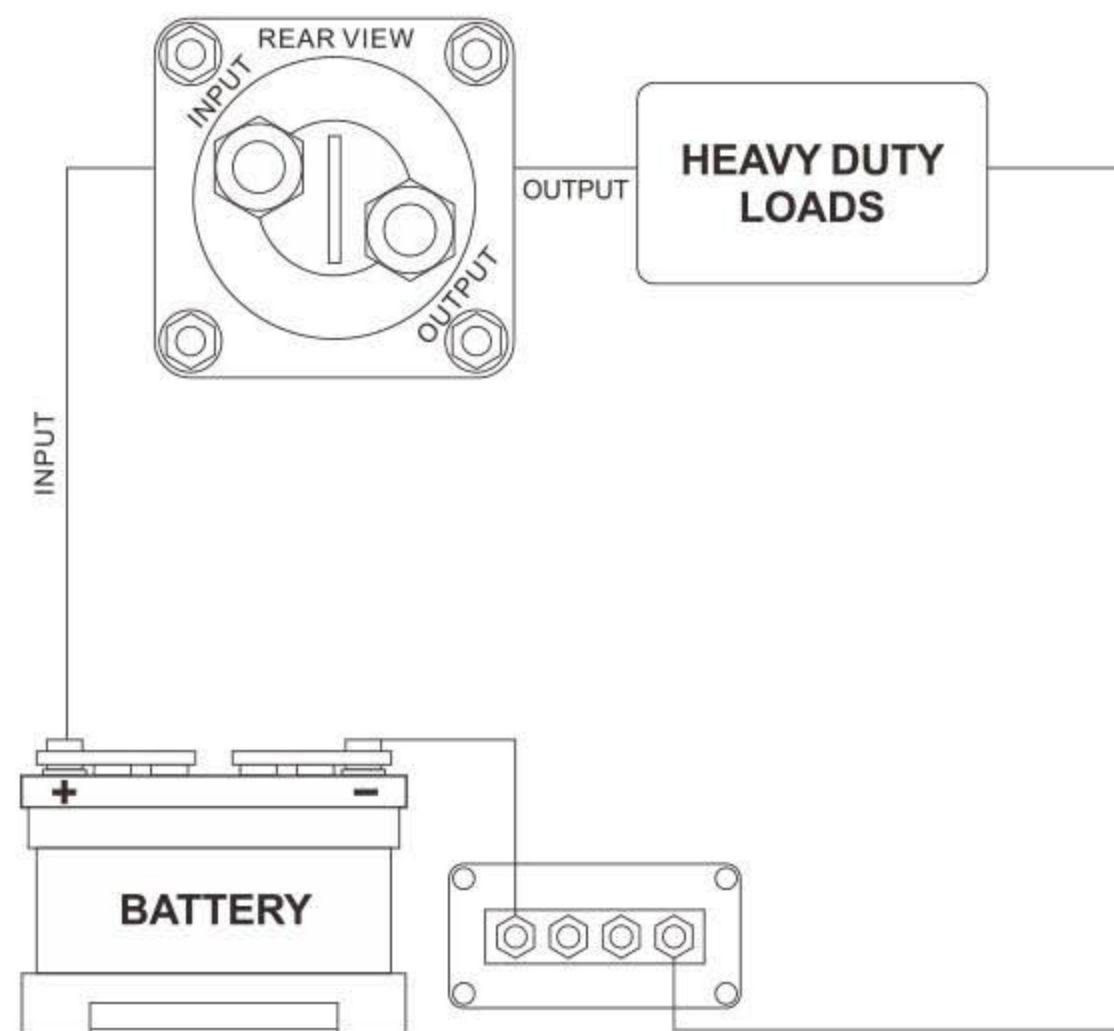
| Model | SFCBS-300-202 | SFCBS-300-402 | SFCBS-300-203 | SFCBS-300-301 |
|--------------------------|--|---|--|---|
| Switch Type | Single Circuit ON-OFF | Selector 4 Position | Dual Circuit | Dual Circuit Plus |
| Function | Switches a single battery to a single load group | Switches isolated battery banks to all loads or combines battery banks to all loads | Simultaneously switches two isolated battery banks | Simultaneously switches two isolated battery banks or combines battery banks to all loads |
| Battery Inputs | 1 | 2 | 2 | 2 |
| Switch Position | 2 | 4 | 2 | 2 |
| Battery Combine | × | ✓ | × | × |
| Ratings | 900A Cranking (30 sec)/ 500A Intermittent (5 min)/ 300A Continuous | 900A Cranking (30 sec)/ 500A Intermittent (5 min)/ 300A Continuous | 675A Cranking (30 sec)/ 450A Intermittent (5 min)/ 300A Continuous | 675A Cranking (30 sec)/ 450A Intermittent (5 min)/ 300A Continuous |
| Voltage Max Operating | 48V DC | 32V DC | 32V DC | 32V DC |
| Terminal Stud Size | 3/8"-16 x 7/8" (M10 x 22 mm) | | | |
| Max Terminal Stud Torque | 120 in.-lb. (13.56 N-m) | | | |



Battery Isolator Switch

FEATURES & BENEFITS

An interchangeable labeling system allowing a full range of applications.
Removable side plates on 4 sides for access of up to 1/0 cables plus a rear cover insulating the rear terminals against any short circuits.
ABS Anti-aging, Anti-ultraviolet.
May be connected to either the positive or the negative electric cable.

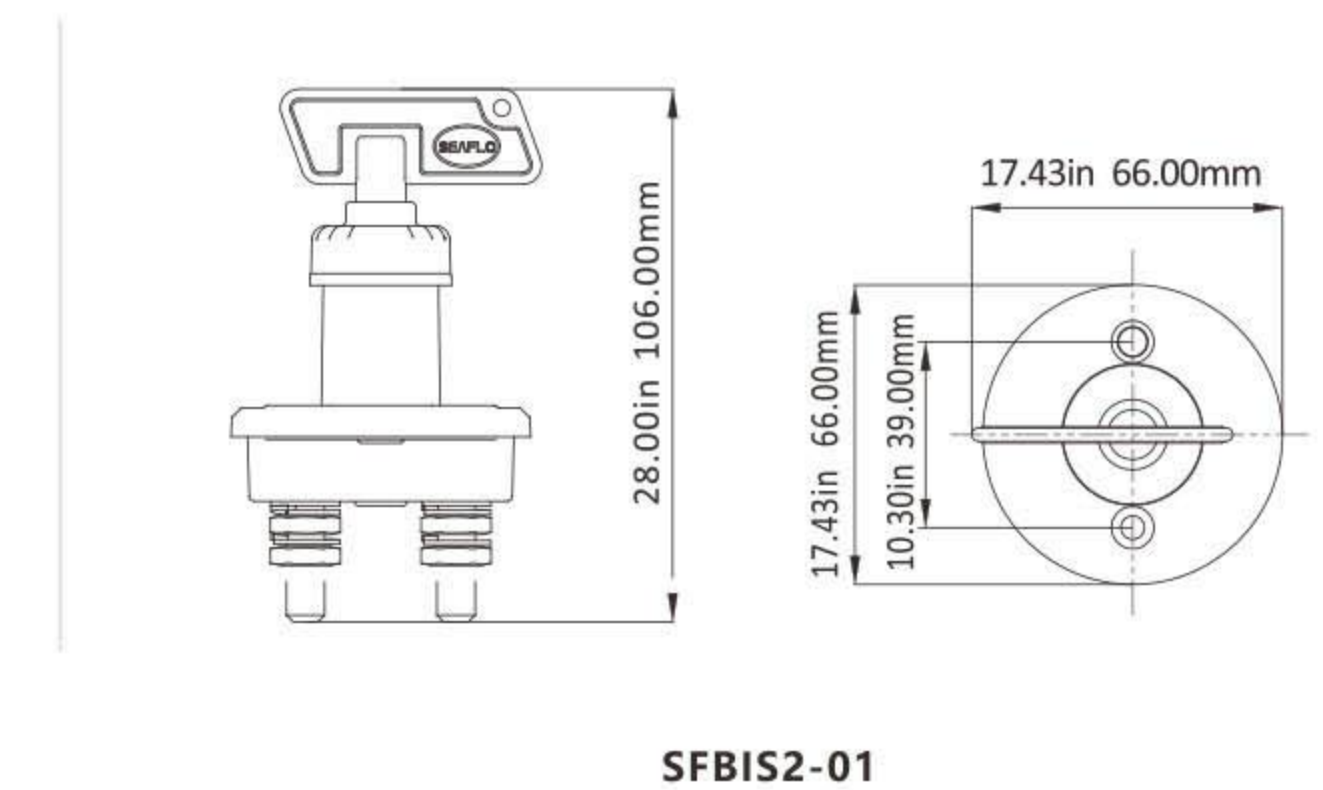
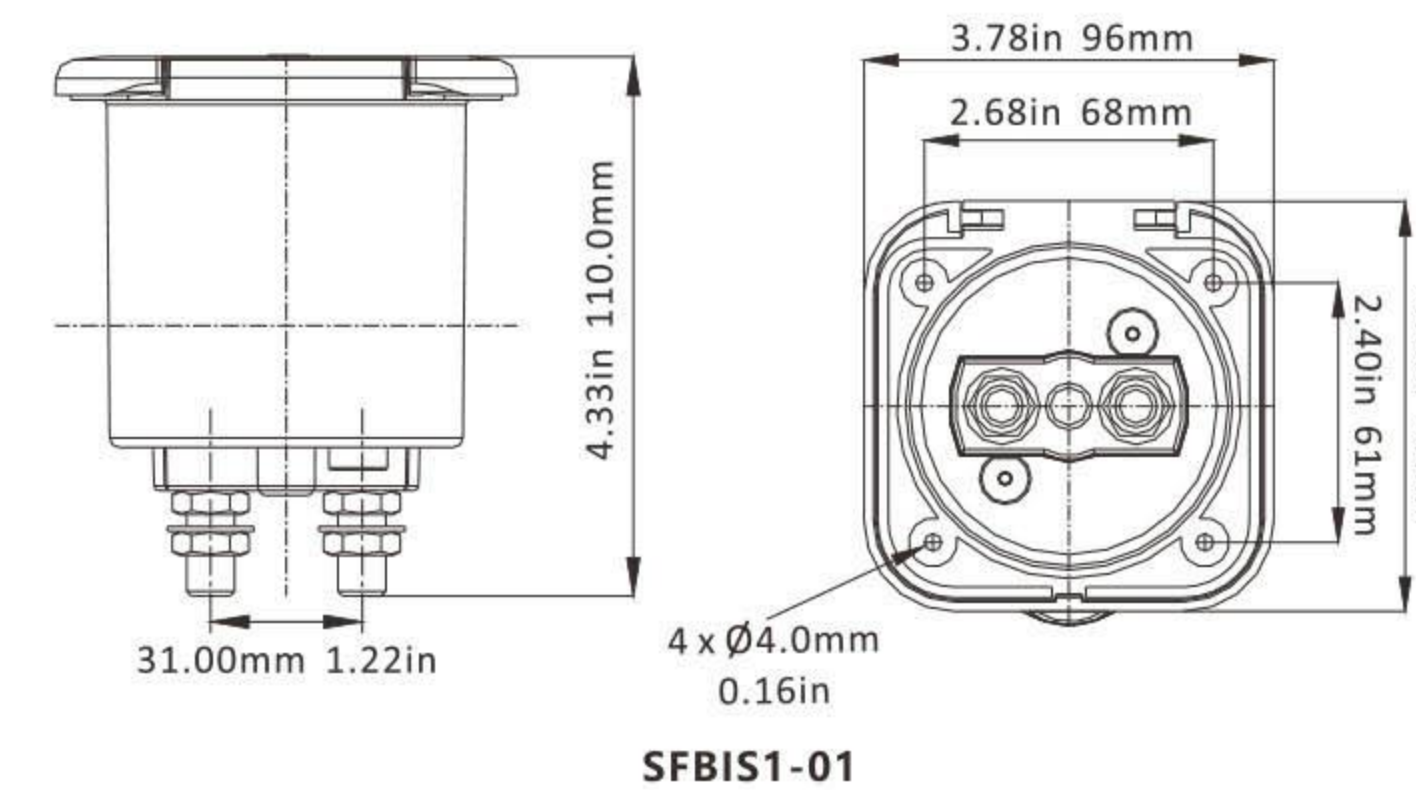


| Model | Max.Volt | Amp Draw(A) | Max Amp Draw(A) | Switch Position | Packing Size | N.W./G.W. |
|---------------|----------|-------------|-----------------|-----------------|--------------|--------------|
| SFCBS-275-201 | 50 V | 275 | 1250 | 2 | 78*78*80 mm | 0.20/0.30 kg |

Battery Isolator Switch

FEATURES & BENEFITS

An interchangeable labeling system allowing a full range of applications.
ABS Anti-aging, Anti-ultraviolet.
May be connected to either the positive or the negative electric cable.
In the "OFF" position the key may be removed. (SFBIS1-01 only)
Small in size, Fine appearance, Sturdy and durable.



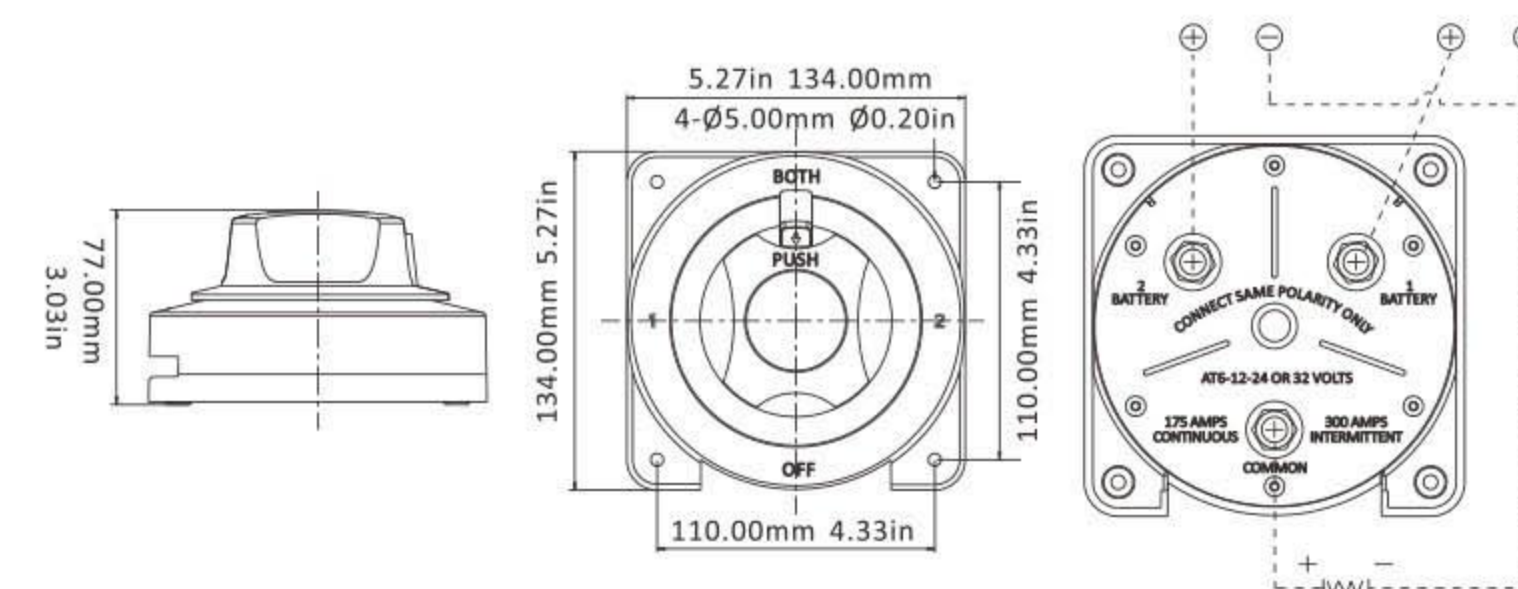
Product Specifications

| Model | Voltage | Amps Draw(A) | Max Amp Draw(A) | N.W. | Working Tempure°C | Package |
|-----------|---------|--------------|-----------------|---------|-------------------|-----------|
| SFBIS1-01 | 50 V | 275 | 1250 | 0.29 kg | 40-80 | Kraft Box |
| SFBIS2-01 | 50 V | 275 | 1250 | 0.15 kg | 40-80 | PE Bag |

Battery Selector Switch

FEATURES & BENEFITS

The selector switch will allow the use of one battery for engine starting and one battery for auxiliary electrical equipment.
Batteries may be placed in parallel by switching to (BOTH) for emergency usage
Small in size, Fine appearance, Sturdy and durable
3/8"-16 tin-plated copper studs for maximum conductivity and corrosion resistance Can be installed in any position
175A continuous duty at DC-12V
300A intermittent duty at DC-12V
Suitable for 6V, 12V, 24V and 32V ship's supply system



4 POSITIONS

OFF - Complete disconnect of both batteries or banks of batteries
1 - Operation of No.1 battery only
2 - Operation of No.2 battery only
BOTH - Operation of both batteries and banks of batteries

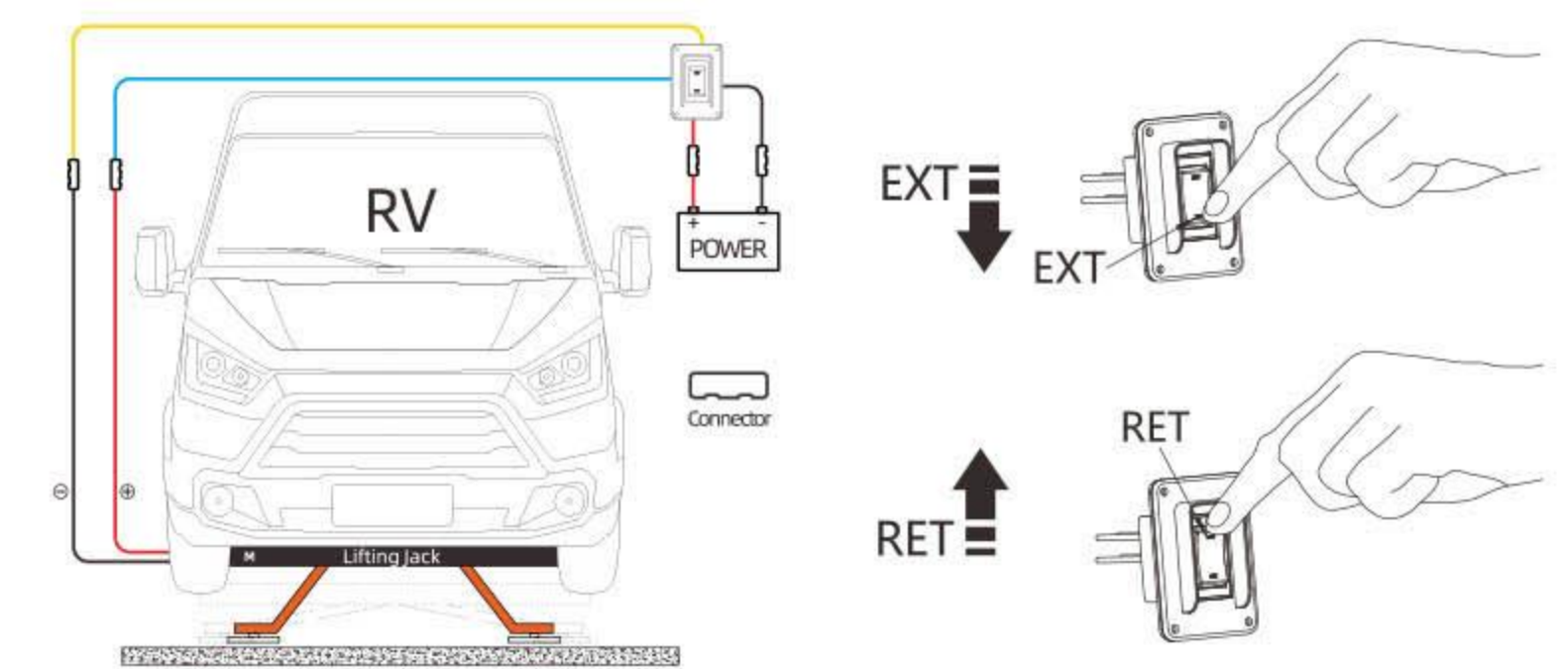
| Model | Max.Volt | Amp Draw(A) | Max Amp Draw(A) | Switch Position | Packing Size | N.W./G.W. |
|---------------|------------|-------------|-----------------|-----------------|---------------|--------------|
| SFCBS-175-402 | 6-12-24-32 | 175 | 300 | 3 | 140*140*85 mm | 0.45/0.65 kg |

Stab Jack Switch NEW

With the flip of a switch, this ultra-fast, ultra-convenient electric stabilizer takes care of all the hassle, sweat, and frustration that comes along with adjusting jacks, giving you optimal stabilization, no matter where you set up camp.

FEATURES & BENEFITS

Exact replacement for power stabilizer extend/retract switch
Allows you to lower and raise your RV's electric stabilizer jack
Includes switch and wiring harness
Waterproof, IP66-rated assembly
Simple, rocker style operation



Product Specifications

| Model | Voltage | Current |
|-------------|------------|--------------------------|
| SFSP-030-07 | 12V/24V DC | 30A at 12V or 15A at 24V |

External Shower

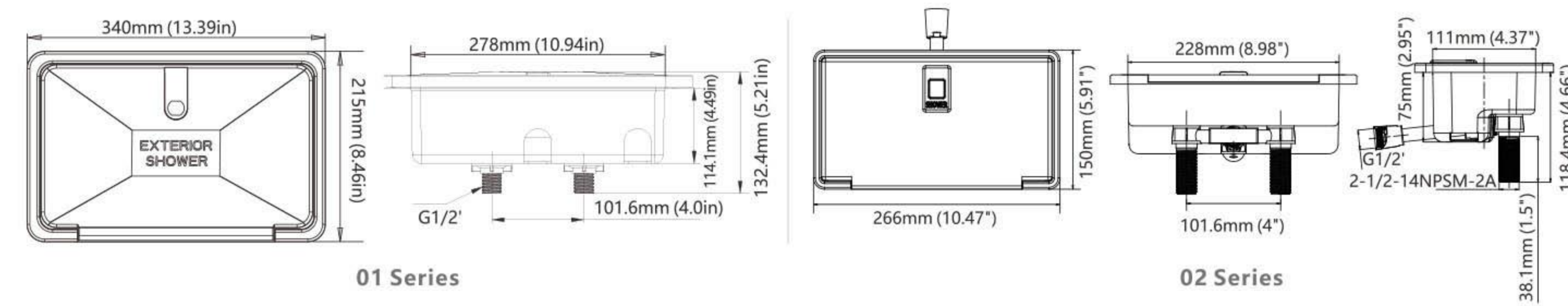
SEAFLO External Shower Box is made of UV stabilized PP, which is with lock and keys. The box is durable, impact & fade resistant.

FEATURES & BENEFITS

Made of UV stabilized PP, With lock and keys
Durable, impact & fade resistant
Choose from black or white



| Model | Color |
|----------|-------|
| SFES1-01 | White |
| SFES2-01 | Black |
| SFES1-02 | White |
| SFES2-02 | Black |



Shower Head And Hose Kit

FEATURES & BENEFITS

ABS plastic shower head
1.5 m/5 feet PVC Hose
Two function spray setting
UV protected, fade resistant
With flat gasket
Compatible to SEAFLO handheld shower kit



| Model | Color | Model | Color | Model | Color |
|------------|-------|----------|-------|----------|-------|
| SF-SHHK001 | White | SFHK1-01 | White | SFSK1-02 | White |

Pvc Waste Valve

SEAFLO PVC Waste Valve is used on sewer line in kitchen, bath room, washing sink to prevent bad smell come into internal of RV.

FEATURES & BENEFITS

PVC size is 2"
Vertical mounting position
EPDM seal for resistance to water and oils
PVC construction for strength and resistance to corrosion and mild chemicals



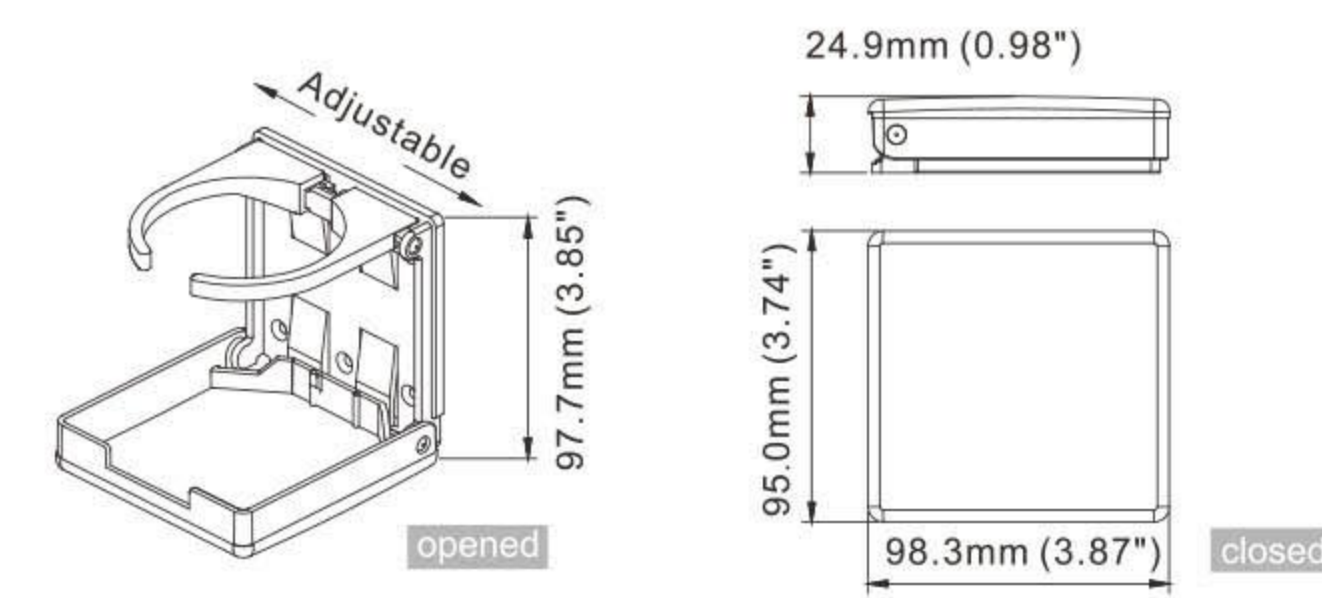
| Model | Color |
|----------|-------|
| SFVW1-01 | White |
| SFVW2-01 | Black |

Fold-up Adjustable Drink Holder

SEAFLO Fold-Up Adjustable Drink Holder for RVs, cars, trucks, boats, cans etc, help prevent spills and mounts quickly and easily. This holder features arms that easily adjust to hold almost any size bottle, can or mug. Folds up for compact storage. It easily mounts with tapes or screws.

FEATURES & BENEFITS

Easily adjust to hold almost any size bottle, can or mug
Mounts with tapes or screws
Folds up for compact storage



| Model | Size | Color |
|----------|---------------------|-------|
| SFTS1-01 | 98.3 * 95 * 97.7 mm | White |
| SFTS2-01 | 98.3 * 95 * 97.7 mm | Black |

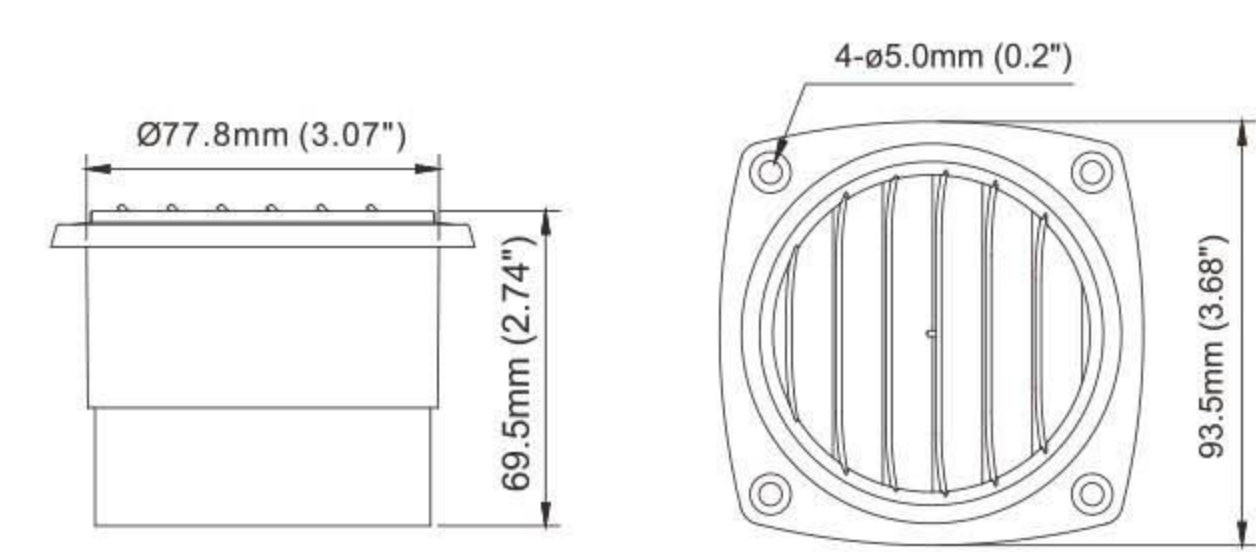


Round Louver Air Vent

SEAFLO Round Louver air vent is made of high quality ABS, Diameter 77.8 mm, ducting height 69.5 mm, Wall mounted or ceiling mounted, perfect for RV, boat or room exhaust and ventilation use.

FEATURES & BENEFITS

69.5 mm Ducting Fitting Size
High-Quality ABS Plastic
Simple To Fit
Designed To Cover Wall Or Ceiling Openings And Ducting Vents

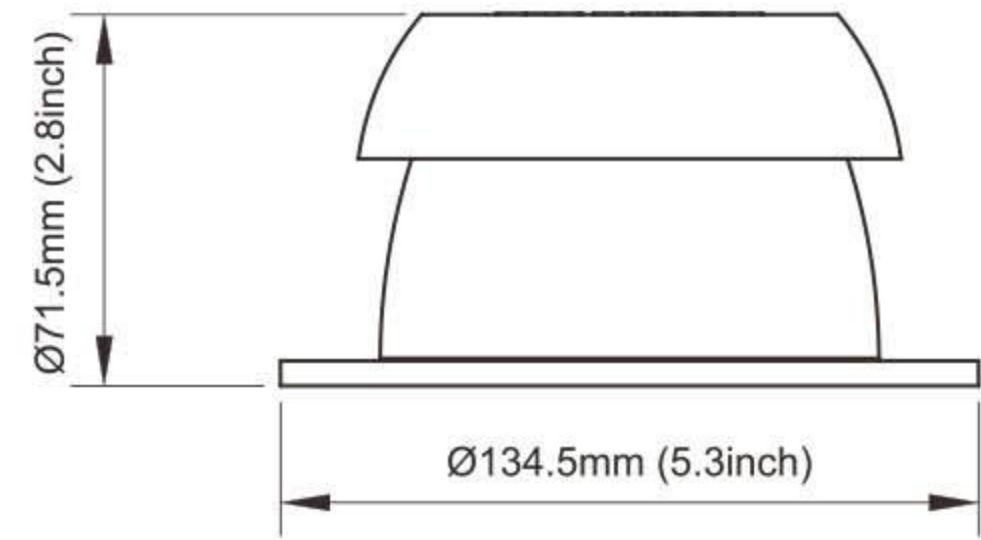


| Model | Size | Color |
|----------|----------------|-------|
| SFAV1-01 | 63.5 * 93.5 mm | White |
| SFAV2-01 | 63.5 * 93.5 mm | Black |



Plumbing Vent

SEAFLO Plumbing Vent is made of PP and it fits up to a 2 inch diameter with 2-1/2 Inch projection vent pipes. A top cap is included, which can be locked on or removed with a twist of the wrist without the need of tools.



Industry Carton Blister

| Model | Size | Color |
|----------|----------------------------|-------|
| SFPV1-01 | 5.3"*2.8"(134.5 * 71.5 mm) | White |
| SFPV2-01 | 5.3"*2.8"(134.5 * 71.5 mm) | Black |

Vent Cover

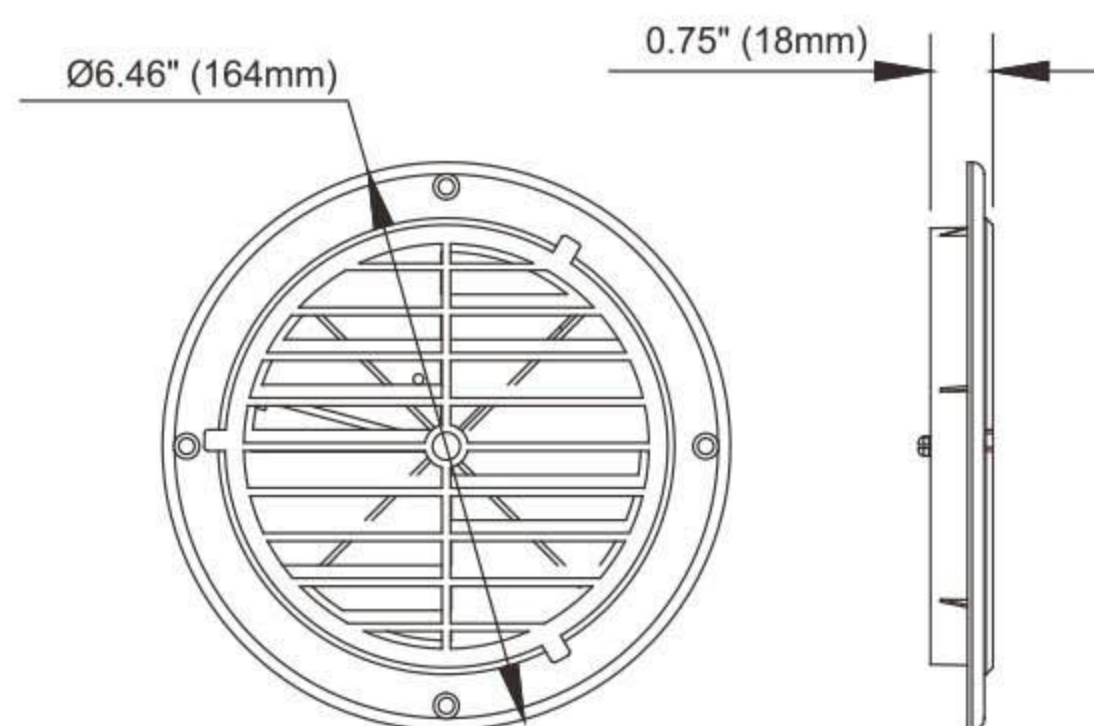
SEAFLO Vent Cover is made of UV stabilized PP, which is very easy to be installed. There are up to two blades that can be adjusted to change the air flow. Also two of blades can be detached to get a largest air flow.

FEATURES & BENEFITS

Made of UV resistant PP
Air flow can be adjusted by blades
Blades are removable
Easy to install



01 02 Blister Industry Carton



| Model | Blade | Color |
|----------|-------|-------|
| SFVC1-01 | 0 | White |
| SFVC2-01 | 0 | Black |
| SFVC1-02 | 2 | White |
| SFVC2-02 | 2 | Black |

Water Inlet

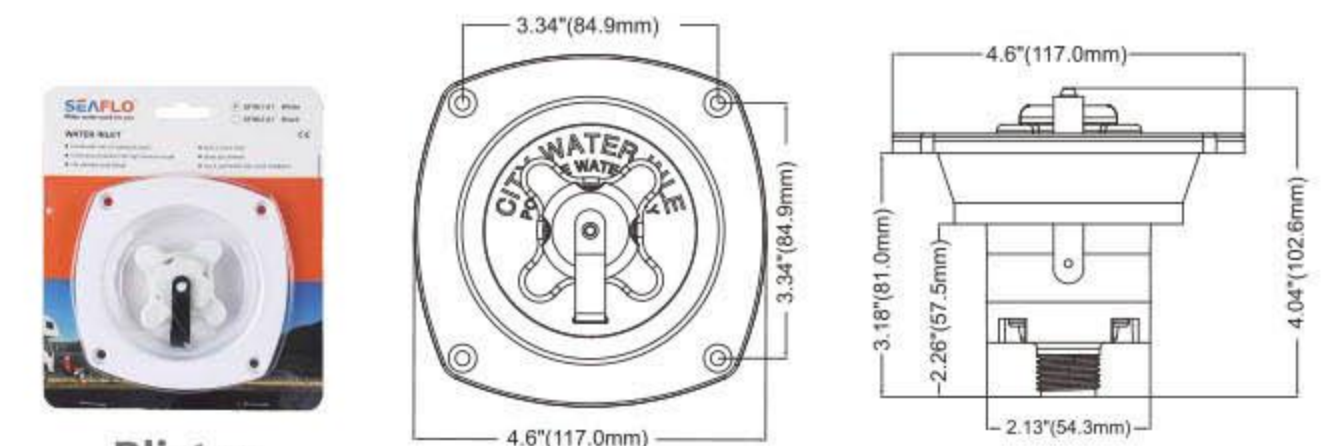
SEAFLO Water Inlet is used for fresh water system and it is constructed with UV stabilized plastic. There are a check valve inside and different model have different features.

Water Inlet Pressure Reducing Valve

NEW

FEATURES & BENEFITS

Continuous protection from high pressure surges
Constructed With Uv Stabilized Plastic
Quick, permanent wall mount installation
Fits standard hose fittings
Built In Check Valve
Outlet Pressure: 50psi
Inlet Pressure: 125psi Max

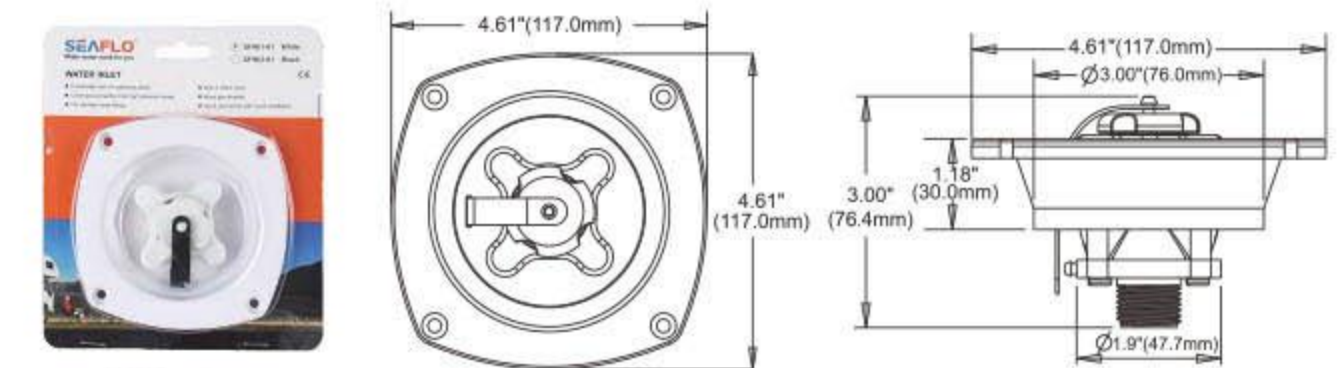


| Model | Description | Color |
|----------|-------------|--------|
| SFWI1-04 | Water Inlet | White |
| SFWI2-04 | Water Inlet | Black |
| SFWI3-04 | Water Inlet | Chrome |

Water Inlet-01

FEATURES & BENEFITS

Constructed with UV stabilized plastic
Fits standard hose fittings
Built in check valve
Brass pipe threads
Quick, permanent wall mount installation

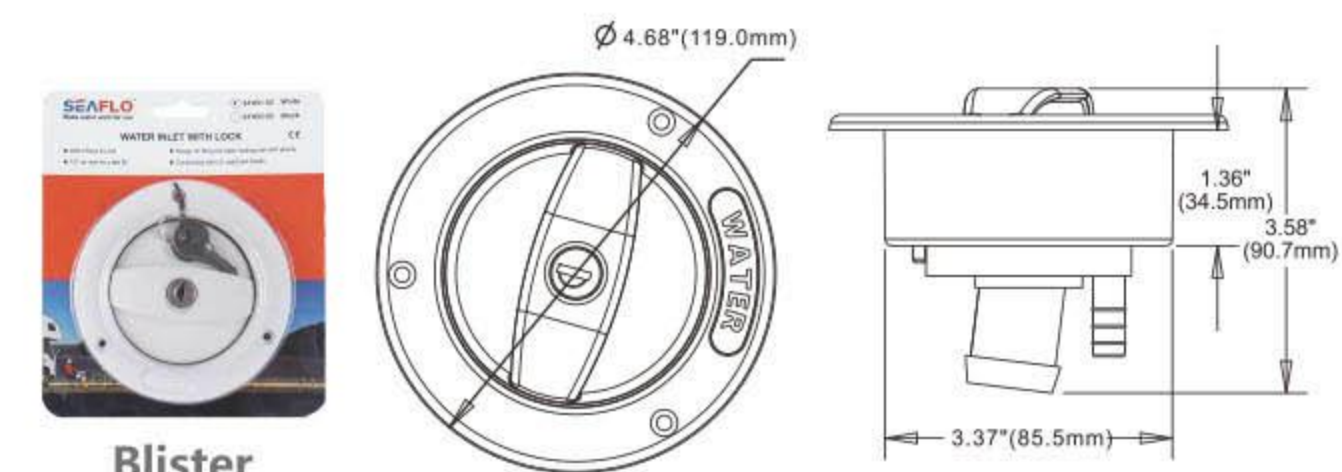


| Model | Description | Color |
|----------|-------------|-------|
| SFWI1-01 | Water Inlet | White |
| SFWI2-01 | Water Inlet | Black |

Water Inlet With Lock-02

FEATURES & BENEFITS

With 2 Keys & Lock
1/2" air vent for a fast fill
Design for filling the water holding tank with gravity
Constructed with UV stabilized Plastic

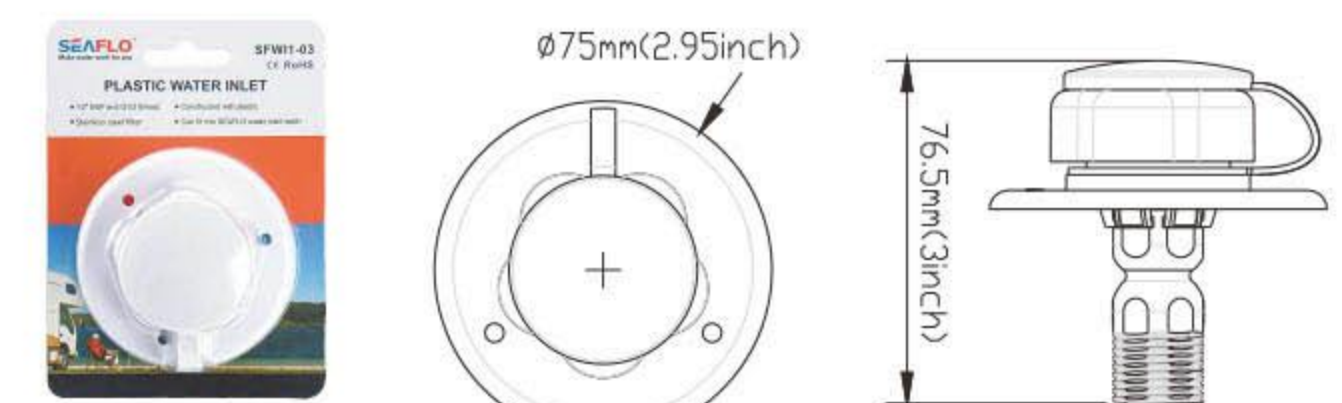


| Model | Description | Color |
|----------|-----------------------|-------|
| SFWI1-02 | Water Inlet With Lock | White |
| SFWI2-02 | Water Inlet With Lock | Black |

Plastic Water Inlet-03

FEATURES & BENEFITS

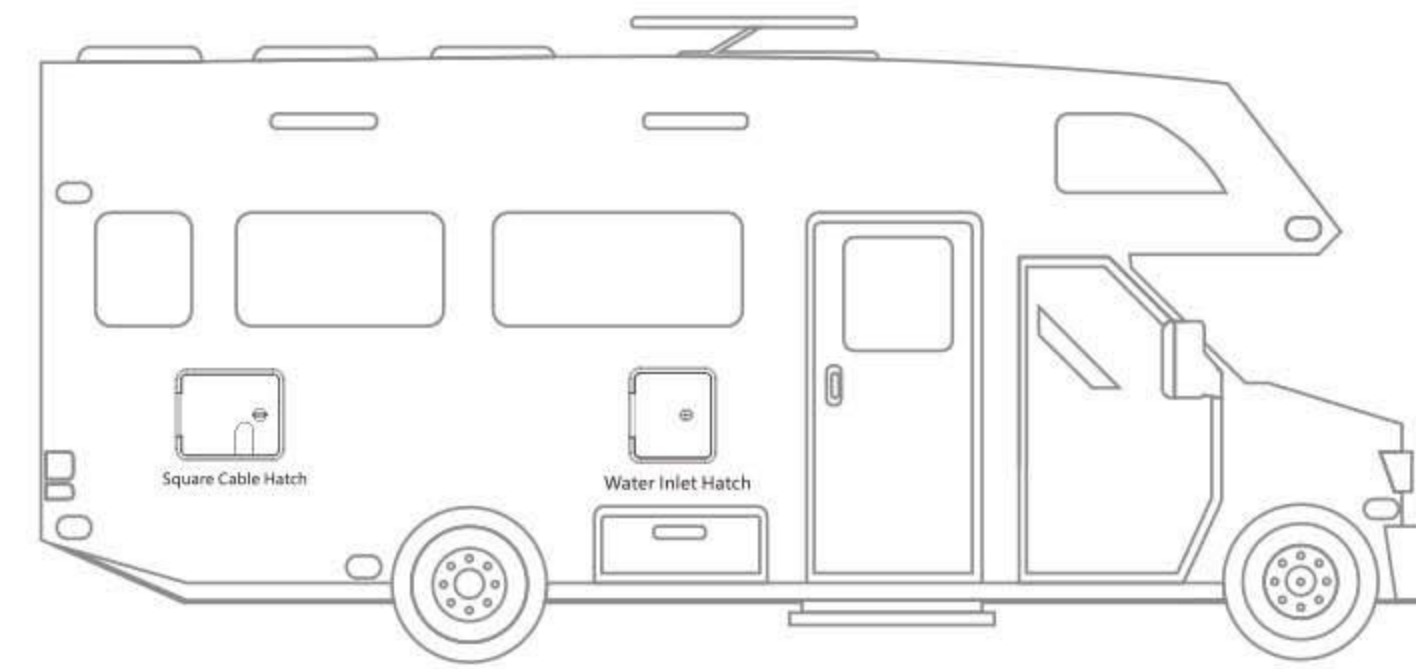
Constructed with plastic
Can fit into SEAFLO water inlet hatch
1/2" BSP and G1/2 thread
Built in check valve



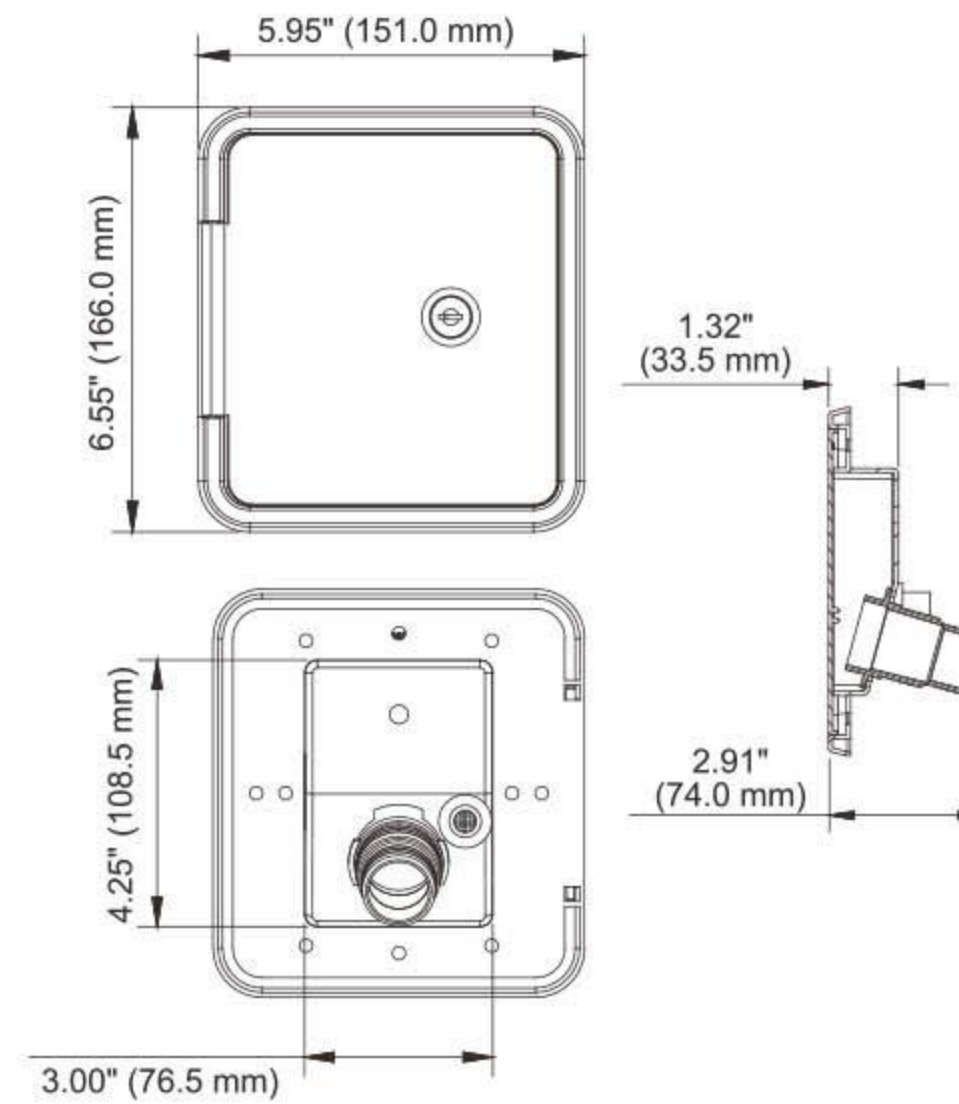
| Model | Description | Color |
|----------|---------------------|-------|
| SFWI1-03 | Plastic Water Inlet | White |
| SFWI2-03 | Plastic Water Inlet | Black |

Water Inlet Hatch

SEAFLO Water Inlet Hatch is made of UV stabilized ABS with robust reinforcement. They have a 1/2 inch air vent for a fast fill and lockable hatch with 2 keys. Also installation screw and putty type are included.



Blister

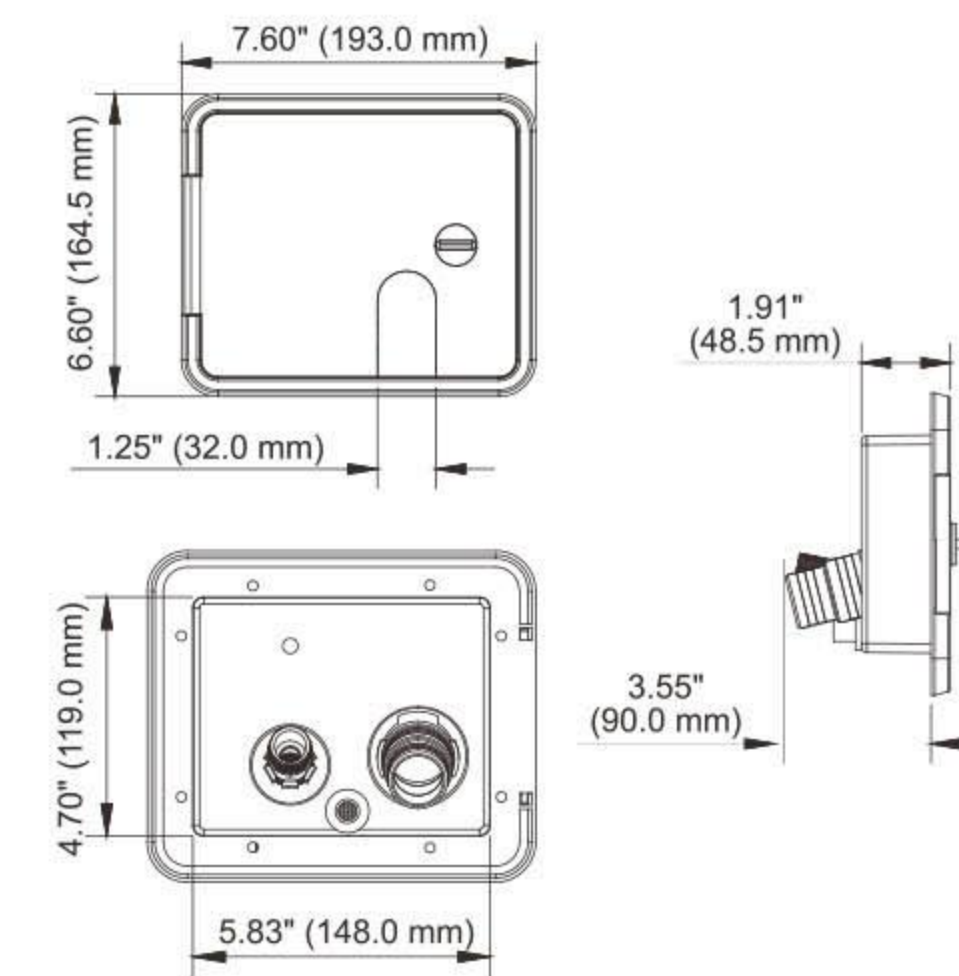


Technical Date

| Model | L1(mm) | W1(mm) | L2(mm) | W2(mm) | Color |
|------------------|--------------|--------------|----------------|---------------|-------|
| SFWH1-151-166-01 | 5.94*(151mm) | 6.54*(166mm) | 4.27*(108.5mm) | 3.01*(76.5mm) | White |
| SFWH2-151-166-01 | 5.94*(151mm) | 6.54*(166mm) | 4.27*(108.5mm) | 3.01*(76.5mm) | Black |



Blister



Technical Date

| Model | L1(mm) | W1(mm) | L2(mm) | W2(mm) | Color |
|------------------|--------------|----------------|--------------|--------------|-------|
| SFWH1-193-164-02 | 7.60*(193mm) | 6.48*(164.5mm) | 5.83*(148mm) | 4.69*(119mm) | White |
| SFWH2-193-164-02 | 7.60*(193mm) | 6.48*(164.5mm) | 5.83*(148mm) | 4.69*(119mm) | Black |

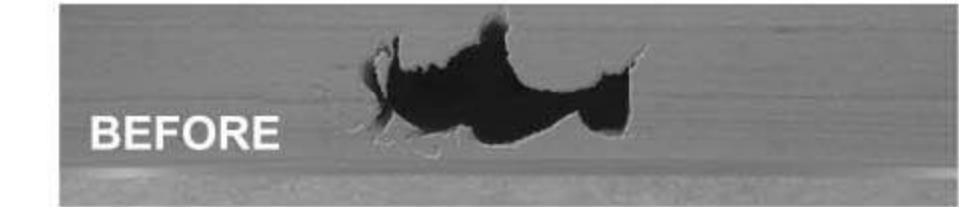
Dent Vent

SEAFLO Dent Vent is use for a quick and easy way to repair the minor damage of boat body and keep the original look; which are made of UV stabilized plastic and combine multiple vents to cover larger damage areas.

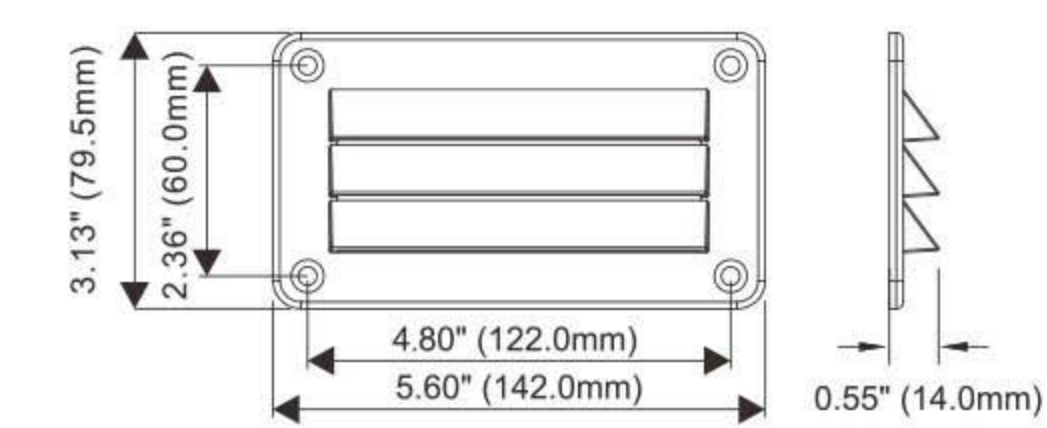
FEATURES & BENEFITS

- Keep the original look
- Made of UV resistant ABS
- There are 3 sizes available
- A quick and easy way to repair the minor damage of boat body
- Save expensive maintenance costs
- Combine multiple vents to cover larger damage areas

Damage of boat body



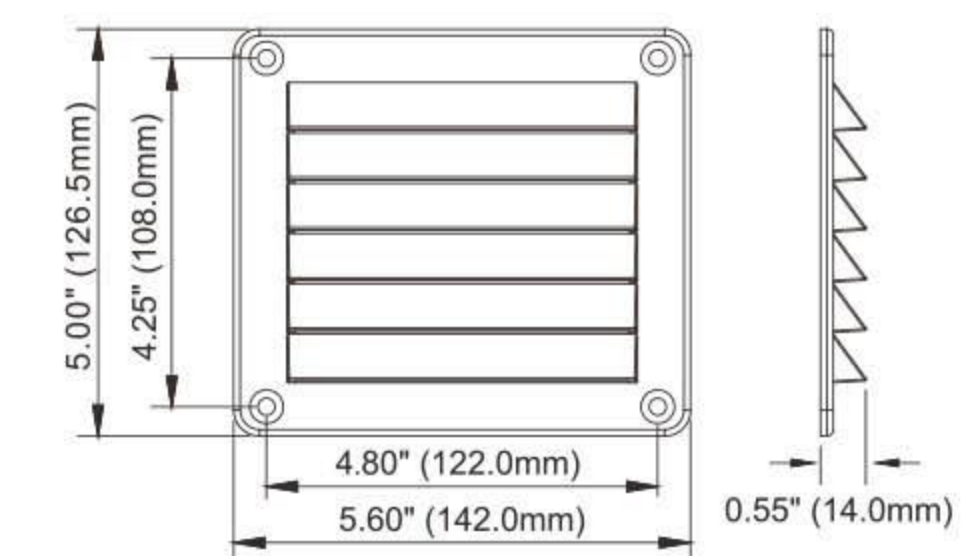
Repair damage and keep original look



Blister



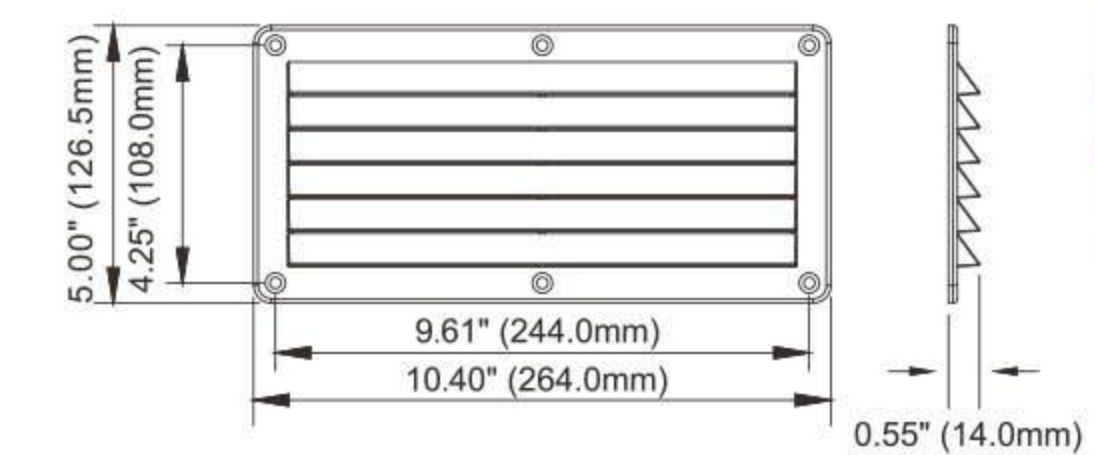
Industry Carton



Blister



Industry Carton



Blister

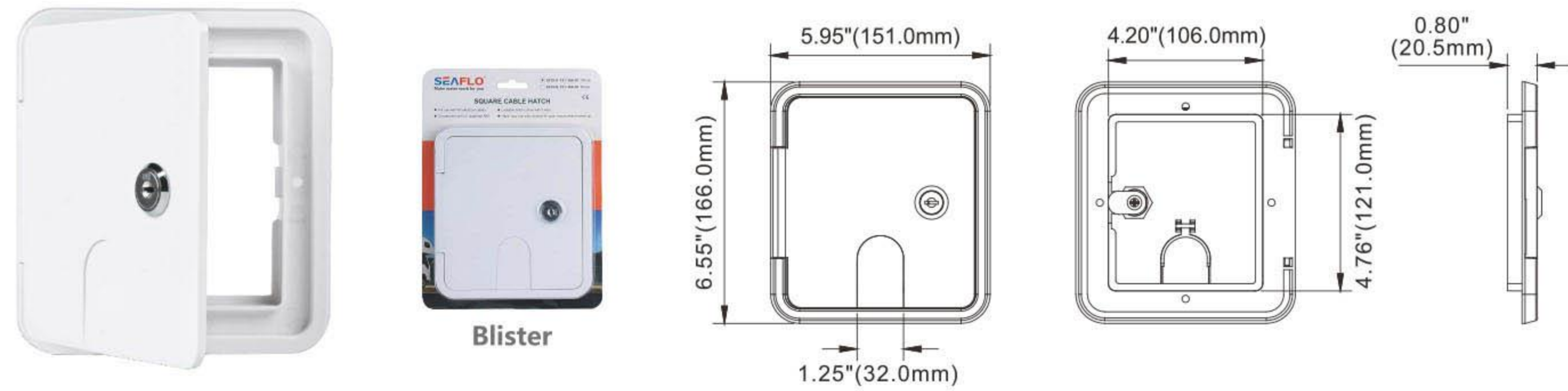


Industry Carton

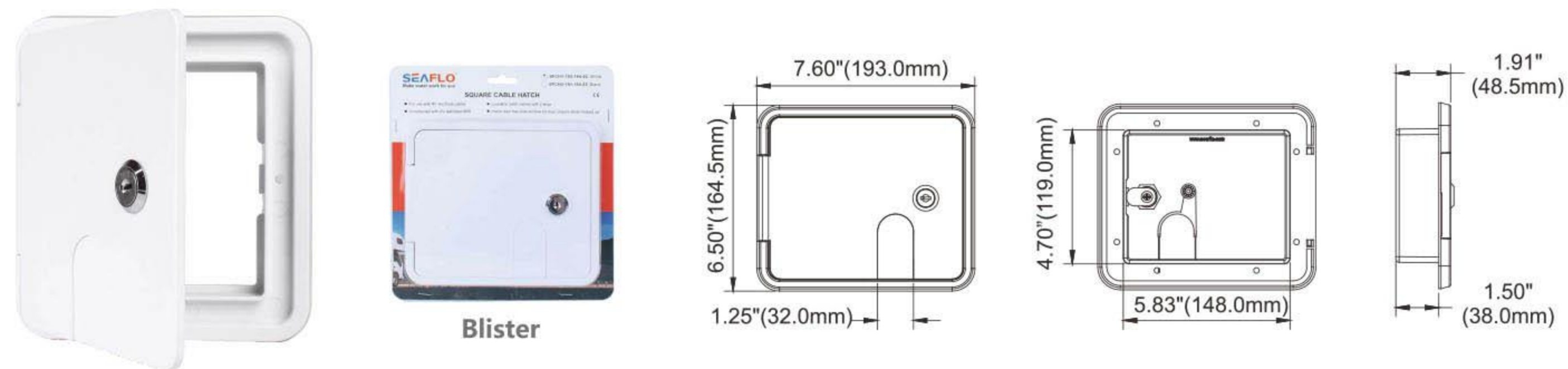
| Model | L | H | Color | Model | L | H | Color |
|------------------|-----------------|-----------------|-------|------------------|------------------|-----------------|-------|
| SFDV1-140-79-01 | 5.60*(142.0 mm) | 3.13*(79.5 mm) | White | SFDV2-140-125-02 | 5.60*(142.0 mm) | 5.00*(126.5 mm) | Black |
| SFDV2-140-79-01 | 5.60*(142.0 mm) | 3.13*(79.5 mm) | Black | SFDV1-260-125-03 | 10.40*(264.0 mm) | 5.00*(126.5 mm) | White |
| SFDV1-140-125-02 | 5.60*(142.0 mm) | 5.00*(126.5 mm) | White | SFDV2-260-125-03 | 10.40*(264.0 mm) | 5.00*(126.5 mm) | Black |

Square Cable Hatch

SEAFLO Square Cable Hatch is for use with RV electrical cables, and it is constructed with UV stabilized ABS. Hatch comes with 2 keys and the hatch door has slide window for door closure while hooked up.



| Model | L1(mm) | W1(mm) | L2(mm) | W2(mm) | Color |
|------------------|--------------|--------------|--------------|--------------|-------|
| SFCH1-151-166-01 | 5.94*(151mm) | 6.54*(166mm) | 4.17*(106mm) | 4.76*(121mm) | White |
| SFCH2-151-166-01 | 5.94*(151mm) | 6.54*(166mm) | 4.17*(106mm) | 4.76*(121mm) | Black |



| Model | L1(mm) | W1(mm) | L2(mm) | W2(mm) | Color |
|------------------|--------------|----------------|--------------|--------------|-------|
| SFCH1-193-164-02 | 7.60*(193mm) | 6.48*(164.5mm) | 5.83*(148mm) | 4.69*(119mm) | White |
| SFCH2-193-164-02 | 7.60*(193mm) | 6.48*(164.5mm) | 5.83*(148mm) | 4.69*(119mm) | Black |

Round Cable Hatch

SEAFLO Round Cable Hatch is for use with RV electrical cables, and it is constructed with UV stabilized PP. Its hinge is extra heavy duty. It has a 5.2" round O.D. flange and a 2.6" deep cavity to hold the cable end.



| Model | Out-Size | In-Size | Color |
|--------------|---------------------|------------|-------|
| SFCH1-052-03 | 5.2"x2.6"(130x66mm) | 3.5"(88mm) | White |
| SFCH2-052-03 | 5.2"x2.6"(130x66mm) | 3.5"(88mm) | Black |

Hose Clamps

Seaflor hose repair clamp kit is ideal for corrosive applications or applications exposed to moisture or water. Stainless steel surface can prevent hose corrosion. It is very suitable for pipeline maintenance. This clamp provides a durable and low-maintenance solution.

FEATURES & BENEFITS

- Engraved with dimension data for easy reference
- 304 stainless steel for lasting durability
- excellent rust resistance
- Features versatile use with hoses made from a variety of different materials



| Model | Size | Material |
|---------|--------------------------|---------------------|
| SFHC-01 | 5/8 ~ 1" (16~25mm) | 304 stainless steel |
| SFHC-02 | 3/4 ~ 1-1/8" (19~29mm) | 304 stainless steel |
| SFHC-03 | 4/5 ~ 1-1/2" (21~38mm) | 304 stainless steel |
| SFHC-04 | 1 ~ 2" (27~51mm) | 304 stainless steel |
| SFHC-05 | 1-1/2 ~ 2-1/2" (40~63mm) | 304 stainless steel |

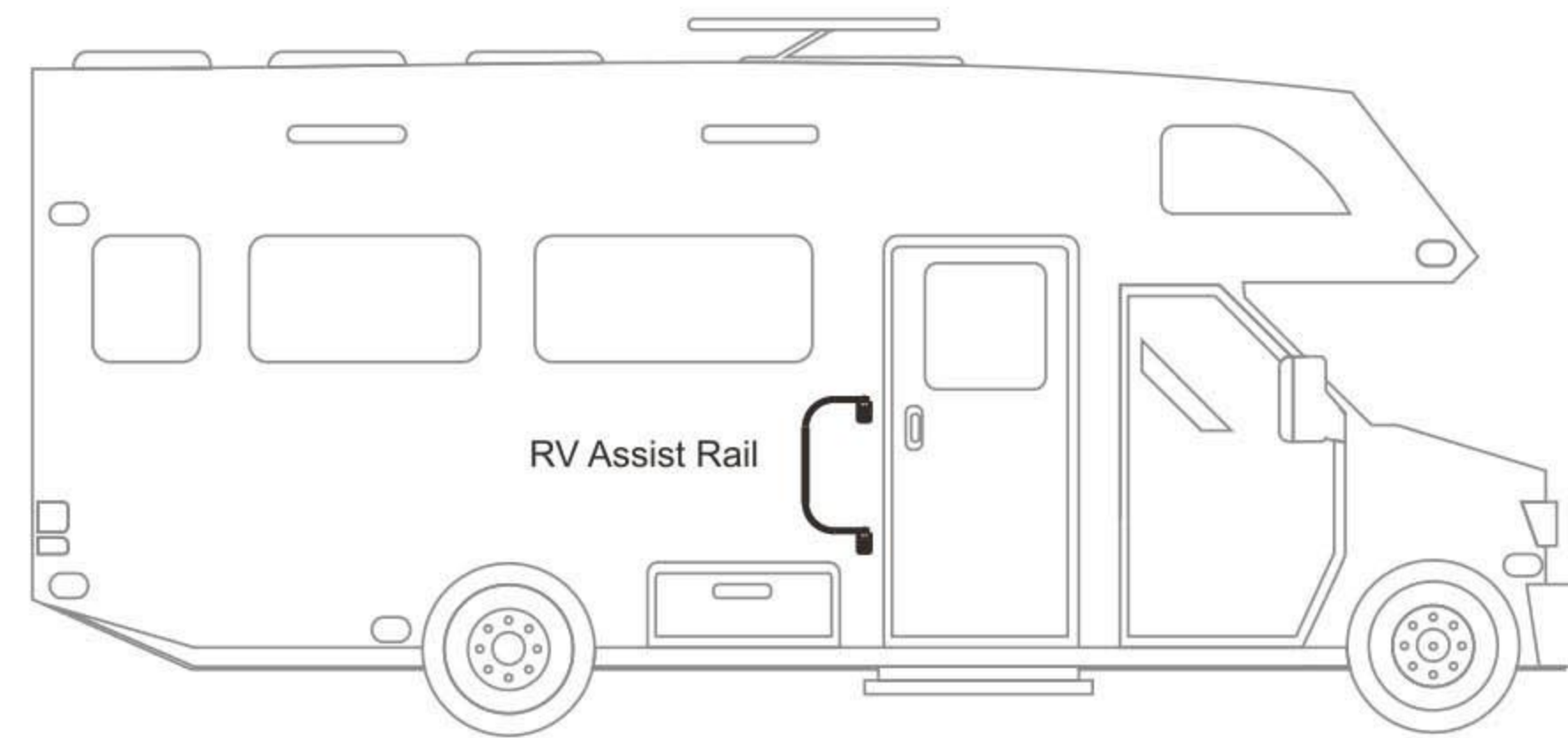
Pex Pipe Fittings

FEATURES & BENEFITS

- Compatible with PEX or PE-RT pipe
- Lead Free, Corrosion Resistant, Light Weight, High Durability
- Applicable to RV, drinking water, activity room, HVAC system and other fields



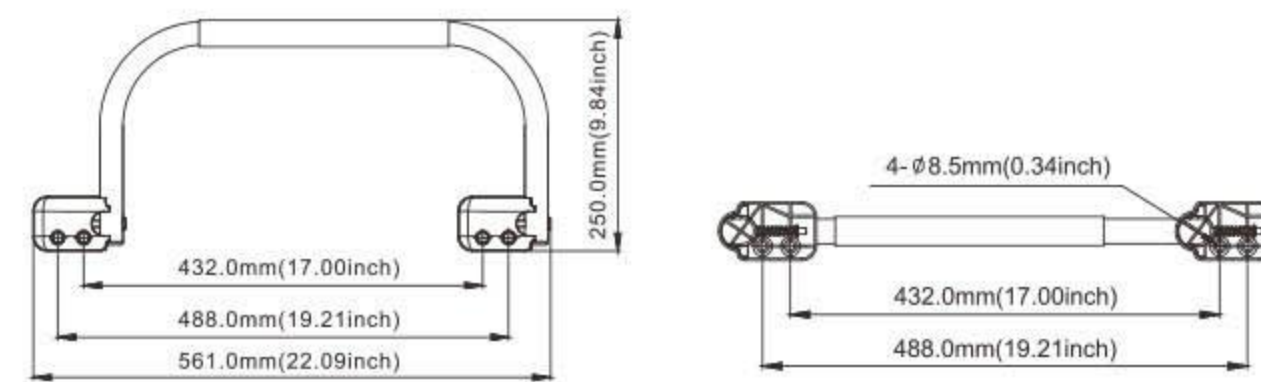
| Item Number | Size | Fitting Type | Material |
|---------------|-------------------------------------|-------------------------------------|----------|
| SFFE1-1212-01 | 1/2" Barb x 1/2" Barb | 1/2" Elbow Tower Fitting | PA66 |
| SFFT1-1212-01 | 1/2" Barb x 1/2" Barb x 1/2" Barb | 1/2" Tee Tower Fitting | PA66 |
| SFFE1-1220-01 | 1/2"-14MNPT x 1/2" Barb | 1/2" X 1/2" MNPT Adapter Elbows | PA66 |
| SFFT1-1220-01 | 1/2"-14MNPT x 1/2" Barb x 1/2" Barb | 1/2" X 1/2" X 1/2" MNPT Tee Fitting | PA66 |
| SFFS1-1220-01 | 1/2"-14FNPT x 1/2" Barb | 1/2" X 1/2" FNPT Swivel Adapter | PA66 |
| SFFN1-1220-01 | 1/2"-14FNPT x 1/2" Barb | 1/2" X 1/2" FNPT Swivel Elbow | PA66 |



Rv Assist Rail Mini

FEATURES & BENEFITS

Provides a secure hold for entering and exiting your RV
Designed to help you keep and maintain your balance
Folds & locks to the side of your RV without tools
Locks open to make entering and exiting your RV easier
Available in white or black finishes with a black foam grip
Available in 22.05" and 26.73" length

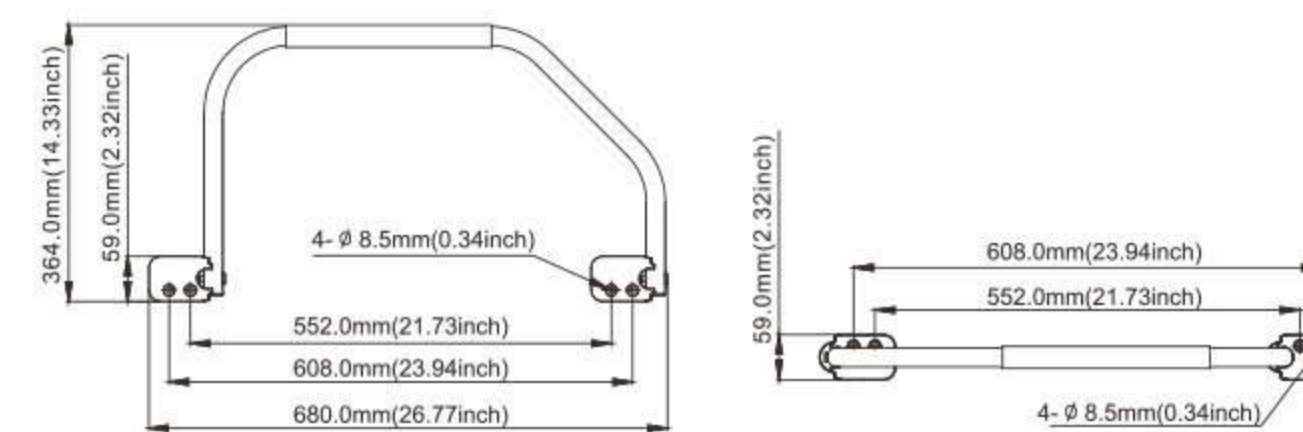


| Model | Size | Color | Material |
|----------|--------------------|-------|----------|
| SFAR1-01 | 560mm*250mm*59.5mm | White | aluminum |
| SFAR2-01 | 560mm*250mm*59.5mm | Black | aluminum |

Rv Assist Rail Standard

FEATURES & BENEFITS

Provides a secure hold for entering and exiting your RV
Designed to help you keep and maintain your balance
Folds & locks to the side of your RV without tools
Locks open to make entering and exiting your RV easier
Available in white or black finishes with a black foam grip
Available in 22.05" and 26.73" length

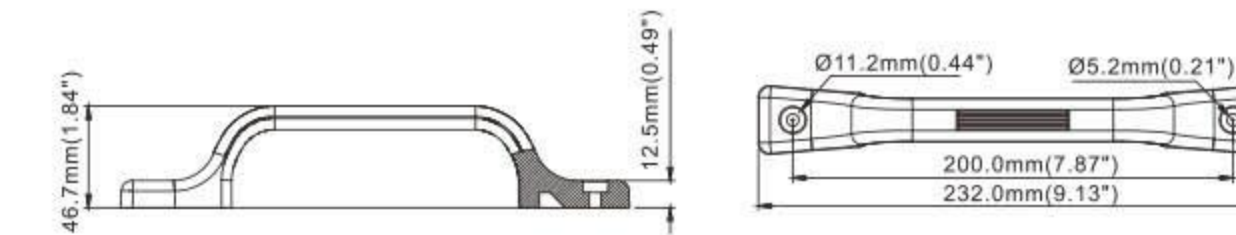


| Model | Size | Color | Material |
|----------|--------------------|-------|----------|
| SFAR1-02 | 680mm*365mm*59.5mm | White | aluminum |
| SFAR2-02 | 680mm*365mm*59.5mm | Black | aluminum |

Grab Handle

FEATURES & BENEFITS

SEAFLO Grab Handle designed for safety and convenience
Easy to install - Fits most RV's, Travel Trailer's, Fifth Wheel Trailers, Campers, Motor Home's, Cargo Trailers and Boats
Can be mounted vertically or horizontally

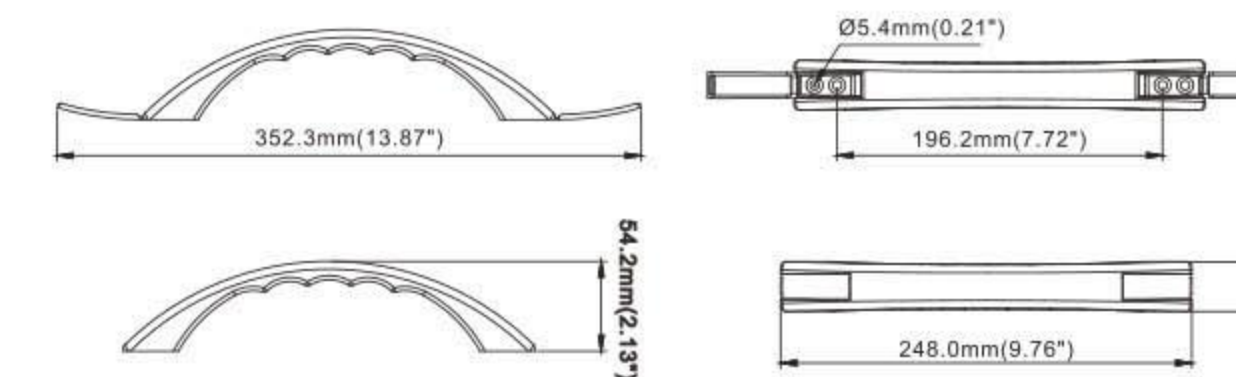


| Model | Size | Color | Material |
|----------|---------------------|-------|----------|
| SFDK1-01 | 232mm*46.7mm*12.5mm | White | PA66 |
| SFDK2-01 | 232mm*46.7mm*12.5mm | Black | PA66 |

Arch Assist Handle

FEATURES & BENEFITS

SEAFLO Arch Handle designed in clean styling, shaped to fit your hand for a secure grip
Easy to install - Fits most RV's, Travel Trailer's, Fifth Wheel Trailers, Campers, Motor Home's, Cargo Trailers and Boats
Made with All Weather Impact Resistant Polypropylene

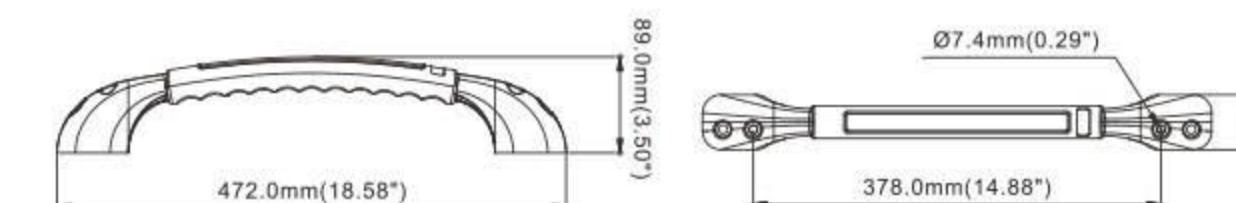


| Model | Size | Color | Material |
|----------|-------------------|-------|----------|
| SFDK1-02 | 248mm*30mm*54.2mm | White | PP |
| SFDK2-02 | 248mm*30mm*54.2mm | Black | PP |

Soft Touch Rv Hand Rail

FEATURES & BENEFITS

Provides traction and grip for your hand
Comfort grip for added stability and comfort
More user friendly than most manufacture hand rails



| Model | Size | Material |
|----------|-----------------|-----------|
| SFDK1-03 | 472mm*51mm*89mm | ABS & TPE |

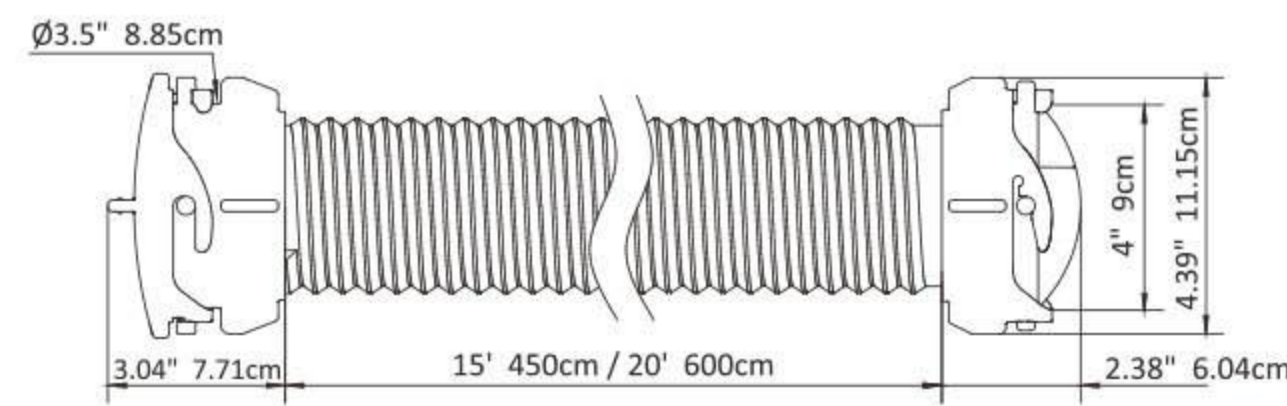
Rv Sewer Hose Kit

FEATURES & BENEFITS

- Durable construction
- Easy to store: hose can be compressed for easier storage
- Features new pre-attached fittings that rotate 360 degrees
- Kit includes: sewer hose, swivel bayonet adaptor and two storage caps
- Fittings swivel: for ease of use and detachable, designed to stay sealed



| Model | Length | Pipe Material |
|--------------|-----------|---------------|
| SFSHK1-15-01 | 15ft/4.5m | PP |
| SFSHK1-20-01 | 20ft/6m | PP |



| Model | Length | Pipe Material |
|--------------|-----------|---------------|
| SFSHK2-15-01 | 15ft/4.5m | TPE |
| SFSHK2-20-01 | 20ft/6m | TPE |

Plumbing System Cap

Elbow adapter fits 3" sewer hose

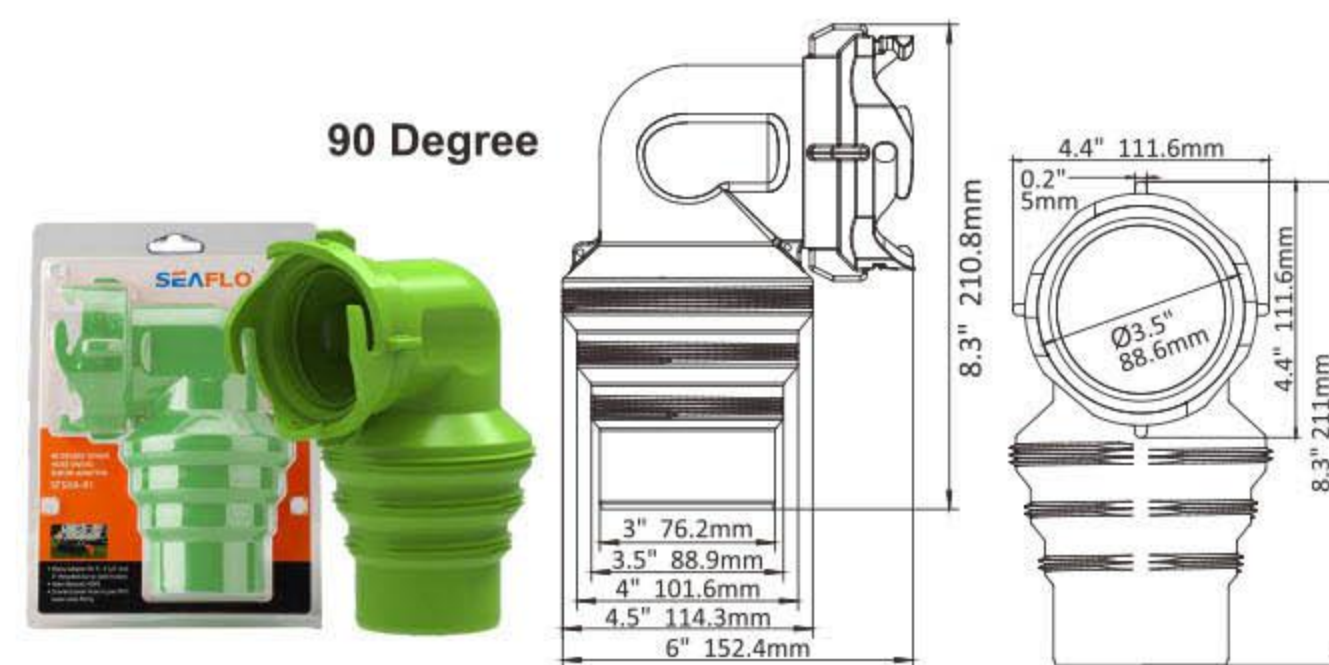


| Model | Material | Diameter (cm) |
|----------|----------|---------------|
| SFPS-C01 | PP | 10.85/11.5 |



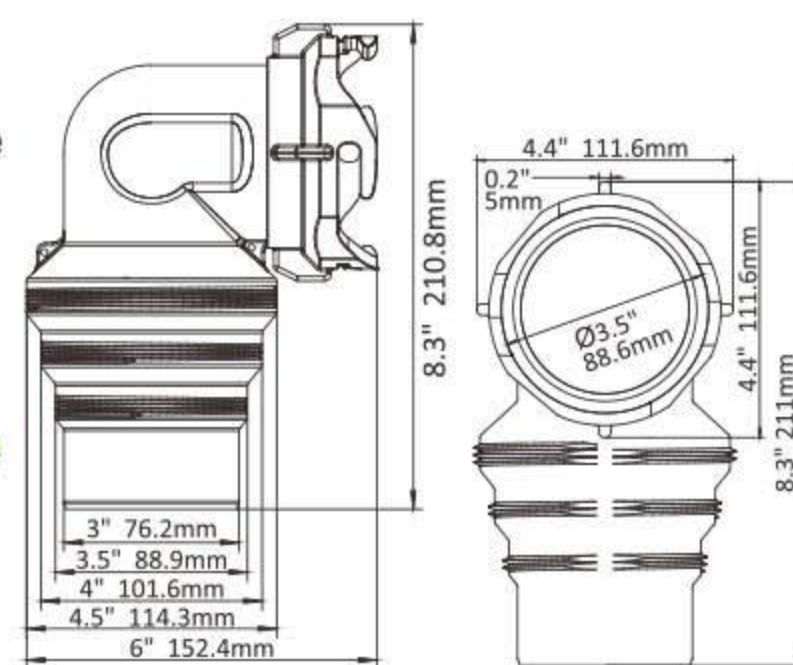
Sewer Hose Swivel Adaptor

Connect sewer hose to your RV's waste valve fitting fits 3", 3-1/2" and 4" threaded dump-station pipes



| Model | Material | Size (cm) |
|----------|----------|---------------|
| SFSHA-01 | HDPE | 15.24 * 21.08 |

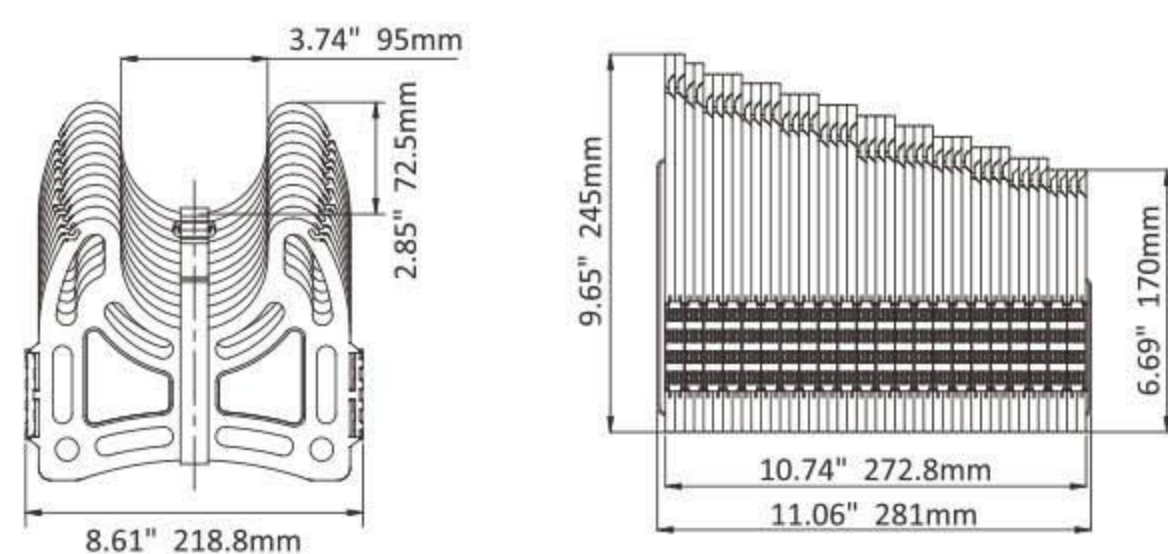
90 Degree



Rv Hose Support

FEATURES & BENEFITS

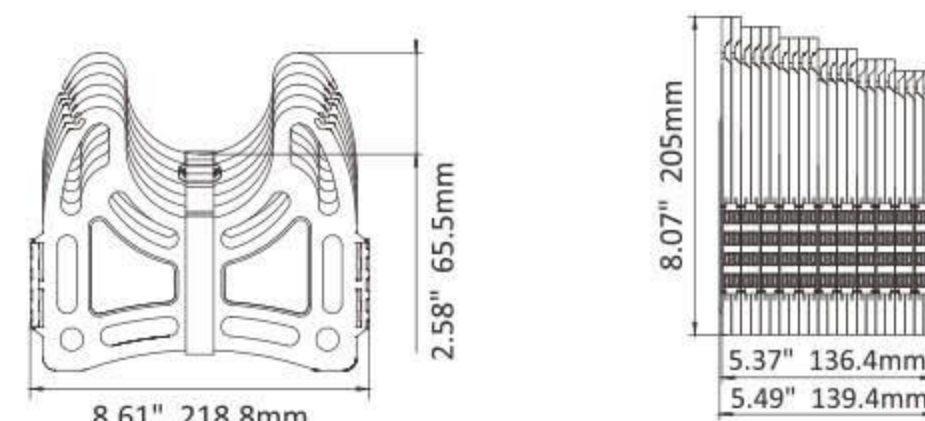
- Three tie down straps included
- Ready to use-no assembly required
- Curves around obstacles for better drainage
- Available with 20ft (6m) hose or 10ft (3m) hose
- Sturdy, lightweight plastic that won't creep closed-stays in place
- Self-fastening convenient straps keeps hose support closed for easy storage



SFHS-21-01



| Model | Length | Size (cm) | Color |
|------------|-----------|--------------------|-------|
| SFHS-10-01 | 10ft/3m | 13.9*21.9*20.5 | Black |
| SFHS-21-01 | 21ft/6.5m | 28.1 * 21.9 * 24.5 | Black |

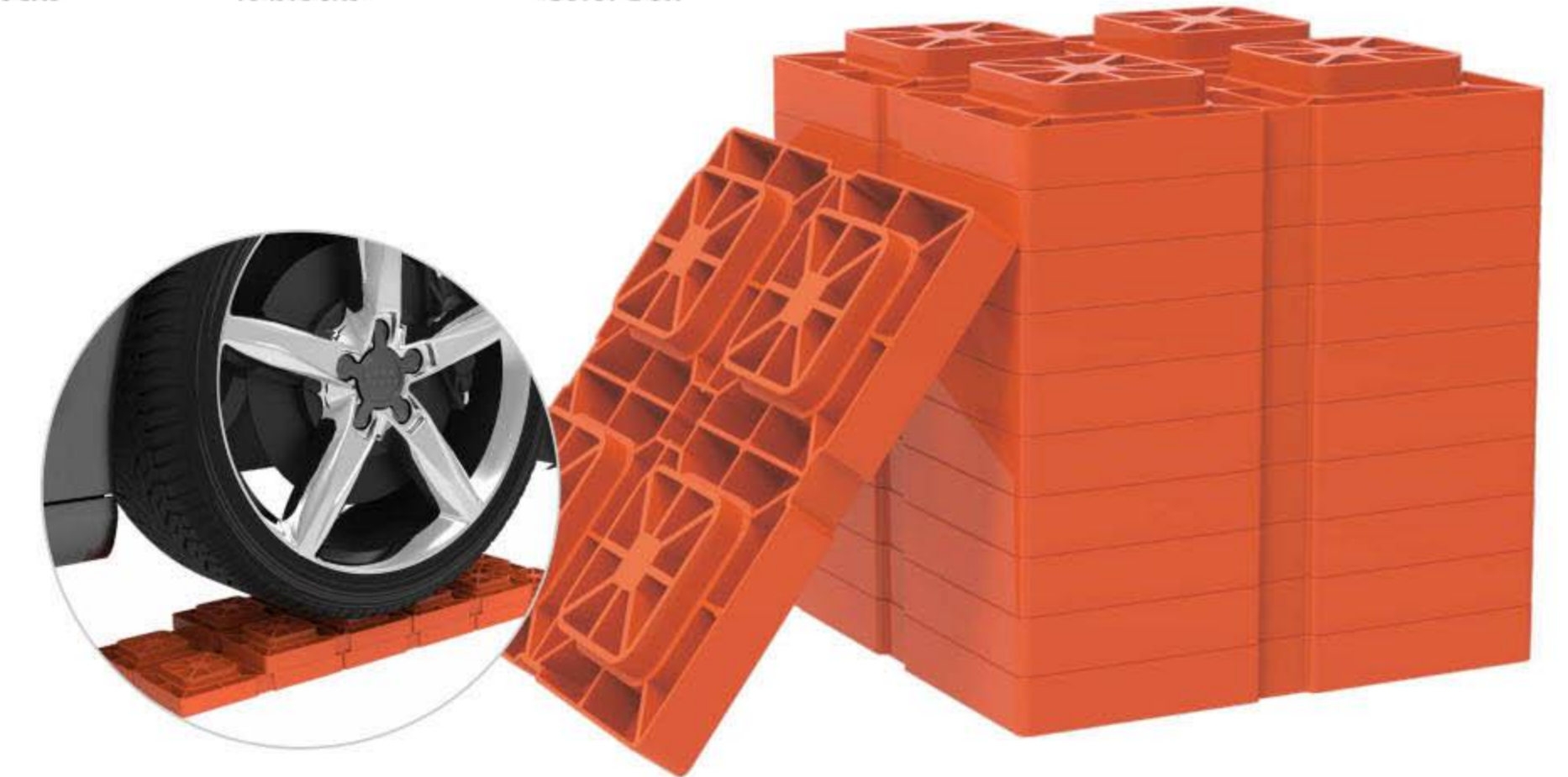
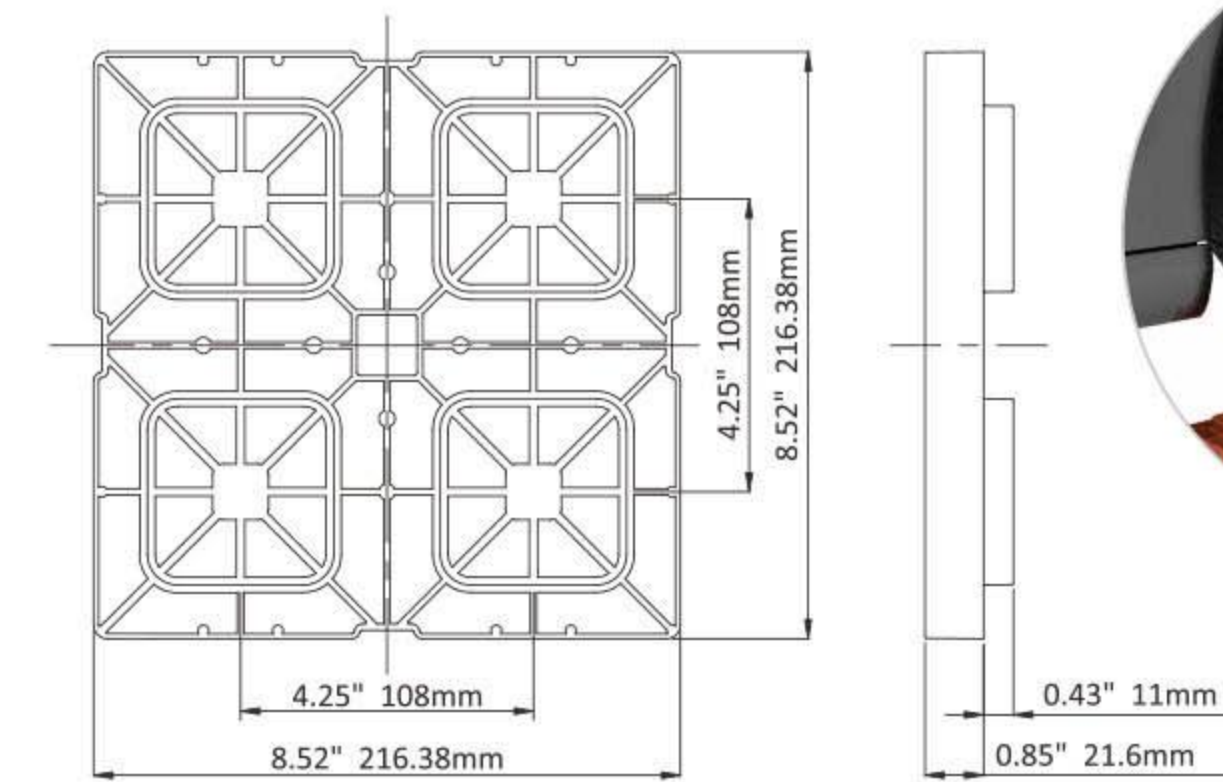
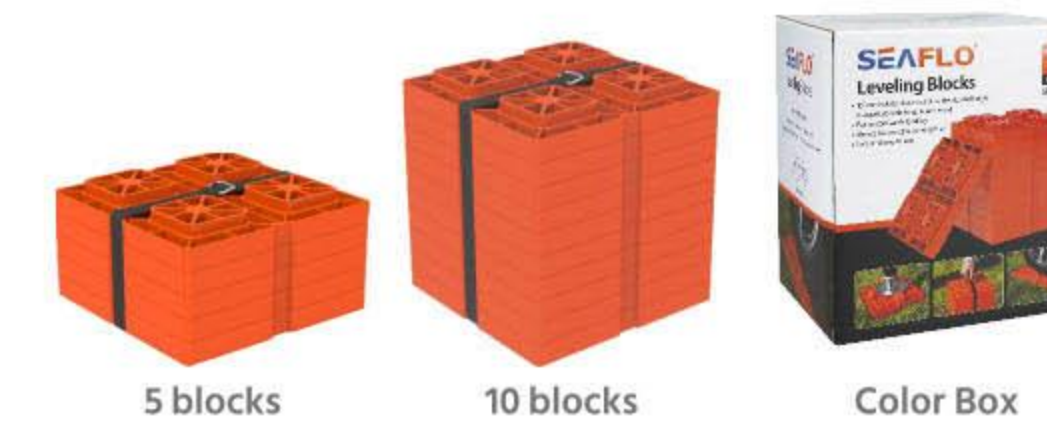


SFHS-10-01

Leveling Blocks

FEATURES & BENEFITS

- 10 interlocking blocks stack to the desired height for customizable leveling
- Compatible with Tongue Jack Stand
- Safe and easy to use
- Strong and durable

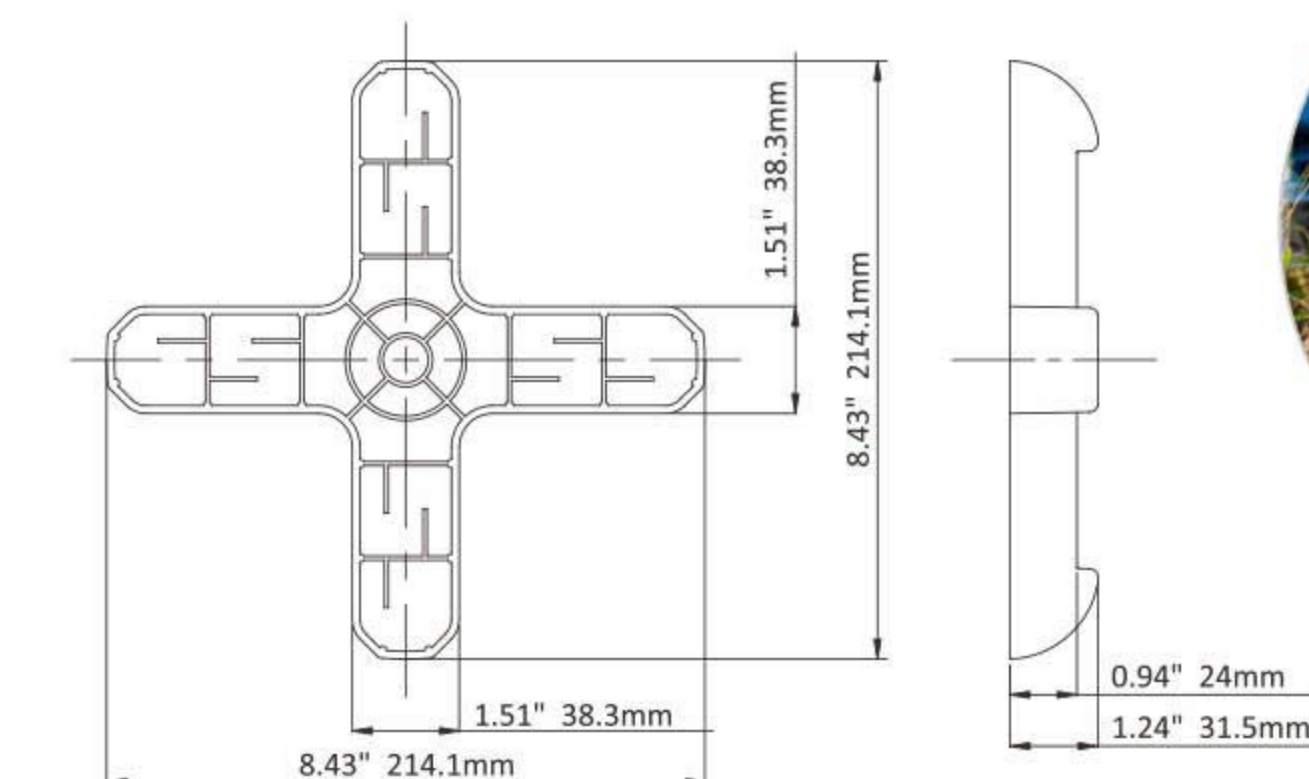


| Model | Size (mm) | Color | Material |
|------------|------------------------|--------|----------|
| SFLB-05-01 | 216.38 * 216.38 * 32.6 | Orange | PP |
| SFLB-10-01 | 216.38 * 216.38 * 32.6 | Orange | PP |

Rv Tongue Jack Stand

FEATURES & BENEFITS

- Distributes weight evenly: evenly distributes the weight of your trailer tongue while providing stability and support
- Compatibility: fits between a 2-inch and 6-inch diameter tongue jack
- Versatile fit: interlocks with 5 leveling blocks
- Small and easy to store



| Model | Size (mm) | Color | Material |
|------------|----------------------|--------|----------|
| SFJS-01-01 | 214.1 * 214.1 * 31.5 | Orange | PP |
| SFJS-05-01 | 214.1 * 214.1 * 31.5 | Orange | PP |



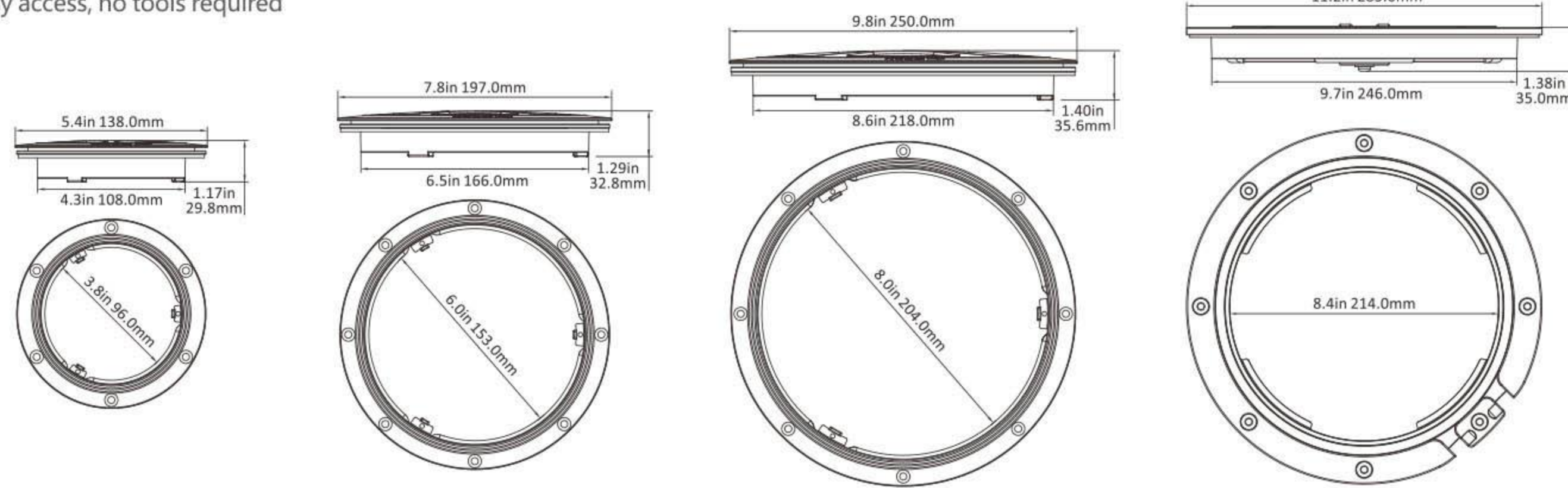
NEW



Hatches

FEATURES & BENEFITS

- Inspection hatches with removable bag
- Heavy Duty Lid with Non-Slip Surface
- White / black deck plate with pull handle
- Durable water resistant EVA seal
- Designed for vertical and horizontal applications
- Hidden fastener design
- ABS/PP Anti-Aging, Ultraviolet Resistant
- Never turn yellow White hatch is made of PP
- Black hatch is made of ABS
- Engineered for the toughest marine elements
- Easy access, no tools required



| Model | Size | Outside Dia | Inside Dia | Cut Out Dia | Material | Bag for storage |
|----------------|------|-------------|------------|-------------|----------|-----------------|
| SFRH12-004-02A | 4" | 138 mm | 96 mm | 108 mm | PP | No |
| SFRH12-006-02A | 6" | 197 mm | 153 mm | 166 mm | PP | No |
| SFRH12-008-02A | 8" | 250 mm | 204 mm | 218 mm | PP | No |
| SFRH12-004-02B | 4" | 138 mm | 96 mm | 108 mm | PP | Yes |
| SFRH12-006-02B | 6" | 197 mm | 153 mm | 166 mm | PP | Yes |
| SFRH12-008-02B | 8" | 250 mm | 204 mm | 218 mm | PP | Yes |
| SFRH12-008-03A | 8.4" | 285 mm | 214 mm | 246 mm | PP | No |
| SFRH12-008-03B | 8.4" | 285 mm | 214 mm | 246 mm | PP | Yes |

Hatches

ABS Anti-aging, Anti-ultraviolet.
 180° opening hatches.
 Easy 'click-in' construction.
 Corrosion free synthetic fittings and durable rubber seals.



| Model | Size inch | d (mm) | D (mm) | Color |
|--------------|-----------|--------|--------|-------|
| SFRH1-004-01 | 4 | 101 | 143 | white |
| SFRH1-006-01 | 6 | 151 | 198 | white |
| SFRH1-008-01 | 8 | 180 | 250 | white |



| Model | H(mm) | L(mm) | h1(mm) | L1(mm) |
|------------------|-------|-------|--------|--------|
| SFRE1-270-375-01 | 270 | 375 | 192 | 291 |



| Model | H(mm) | L(mm) | h1(mm) | L1(mm) |
|------------------|-------|-------|--------|--------|
| SFRE1-243-607-01 | 243 | 607 | 168 | 525 |
| SFRE1-315-440-01 | 315 | 440 | 240 | 358 |
| SFRE1-353-606-01 | 353 | 606 | 278 | 524 |
| SFRE1-370-375-01 | 370 | 375 | 295 | 295 |
| SFRE1-460-510-01 | 460 | 510 | 383 | 436 |

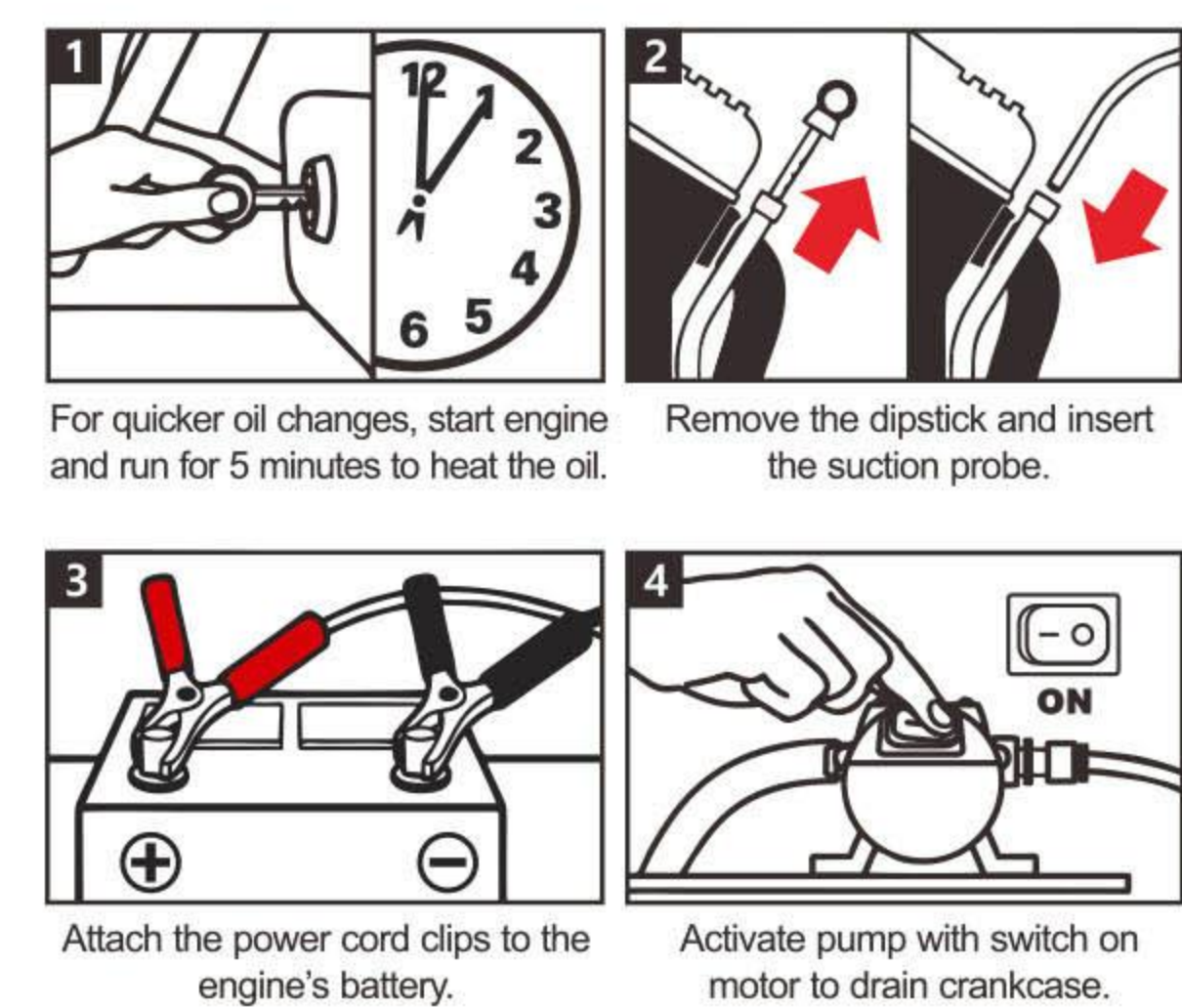


Oil Change System 01

SEAFLO oil change system includes premium pump with 6 feet (1.8m) cables, battery clips, hose kit and 3.7 gallon (14 L) storage bucket. Incorporating SEAFLO advanced motor technology that includes thermal overload protection, this Oil Change System is self-priming, easy to install and extremely versatile. System simplifies the engine oil changing process, perfect for changing engine oil in Boats, RV's, Lawn and Garden Equipment.

FEATURES & BENEFITS

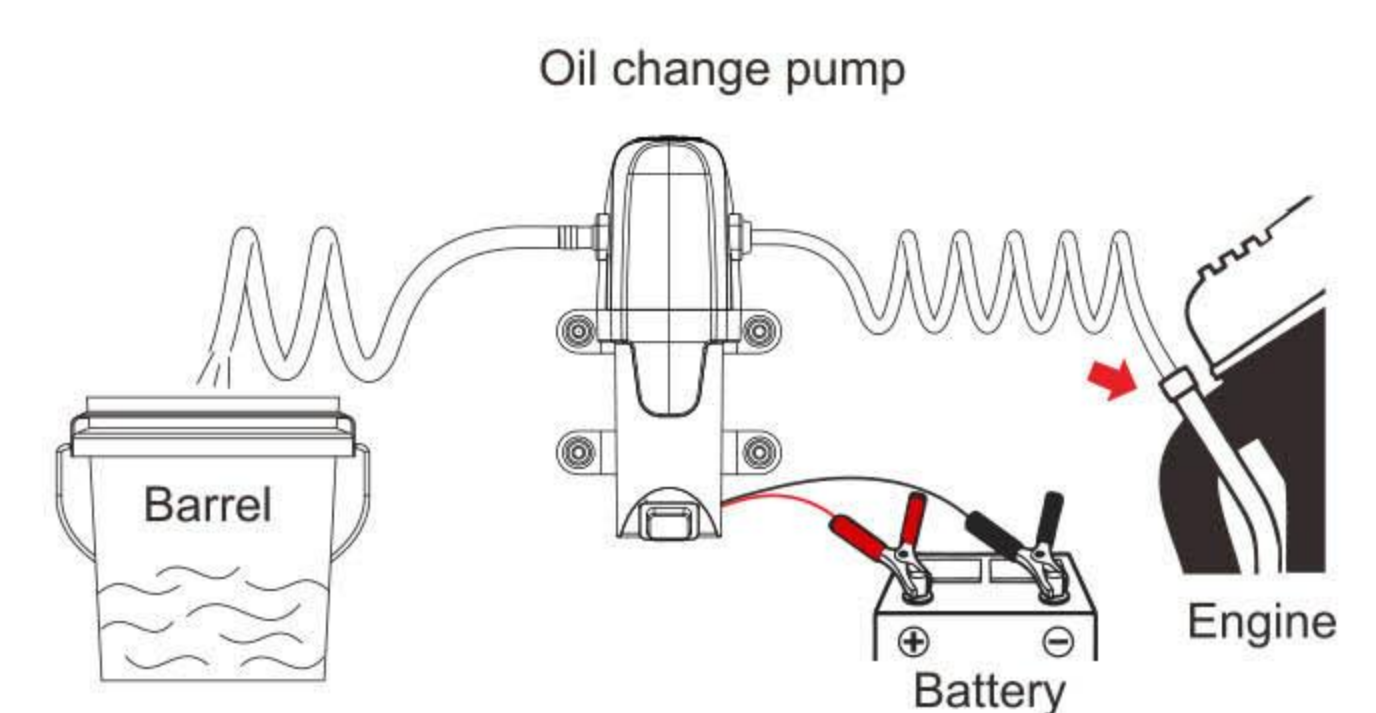
- Self-contained oil change system
- Self-priming up to 5 feet (1.5m), run dry capable pump, thermal overload protection
- Battery clamp leads and on-off switch to make pumping process quick and simple
- Secured fully assembled 3.7 gallon (14 L) pail prevents wobble and spillage
- Vent hole can prevent the barrel from expanding and unable to pump oil
- Drain Spout for easy pouring
- No spilling and very portable, easy to empty and easy to carry
- Easy to operate - four easy steps to fast, clean oil



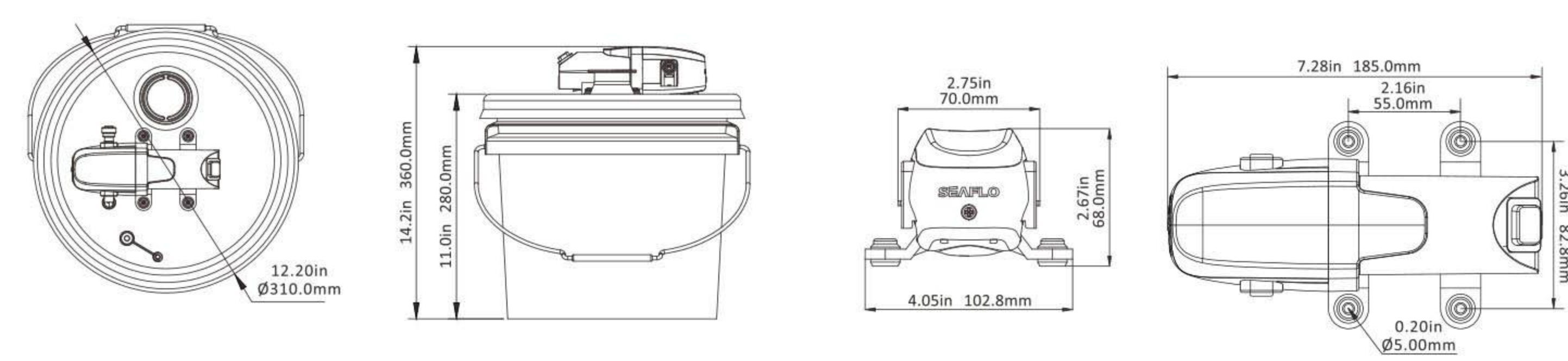
Oil Change System 02

FEATURES & BENEFITS

- Self-contained oil change system
- Self-priming up to 5 feet (1.5m), run dry capable pump, thermal overload protection
- Battery clamp leads and on-off switch to make pumping process quick and simple
- 8 feet(2.4m) , oil & heat resistant 1/4 inch suction tube
- 6.6 feet (2m) battery leads with alligator clips
- With 3 m of 10/14 mm (inner/outer diameter) transparent PU tube
- Very portable and easy to carry
- Perfect for changing engine oil in Boats, RV's, Lawn and Garden Equipment
- Easy to operate - four easy steps to fast, clean oil
- Perfect for changing engine oil in Boats, RV's, Lawn and Garden Equipment.



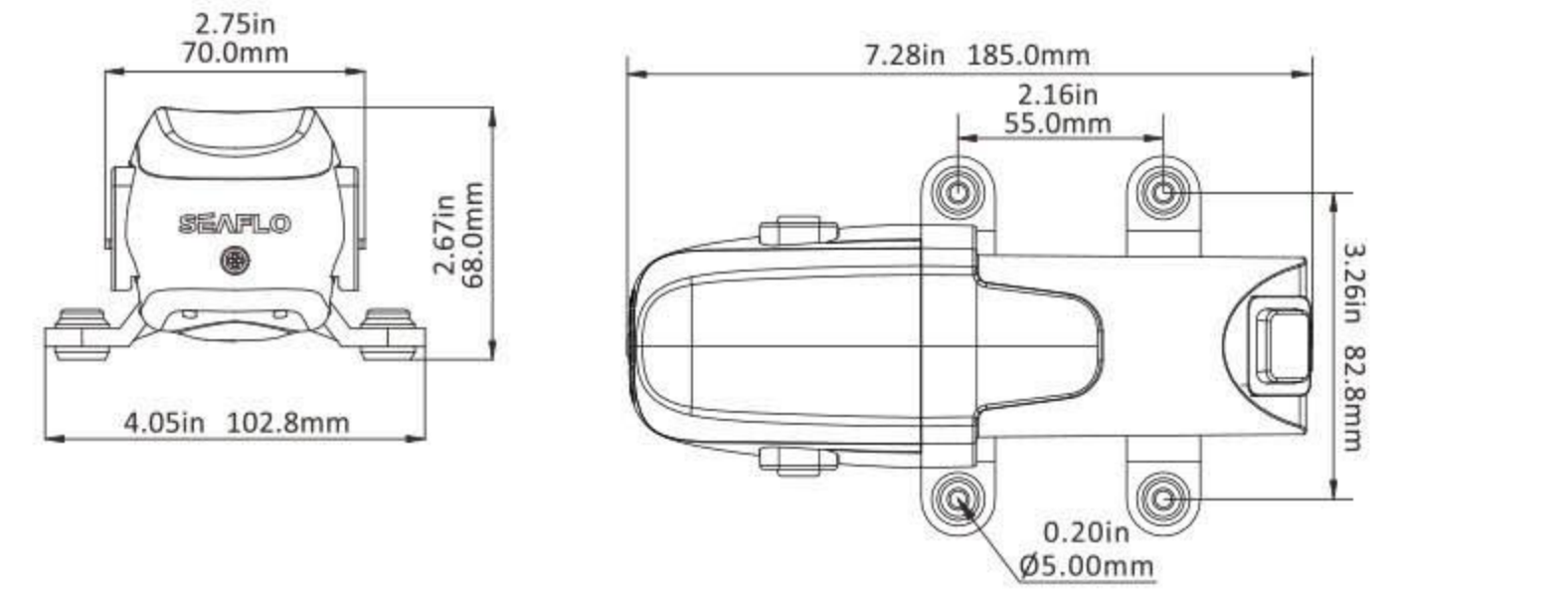
INSTALLATION DIMENSION DRAWING



Standard Pump Configurations

| Model Number | Voltage | Amp Draw | Fuse Size | Open Flow | Battery Leads | Suction Tube | Weight |
|---------------|---------|----------|-----------|---------------|---------------|--------------|-----------------|
| SFOCS1-015-01 | 12V DC | 2A | 5A | 1.5GPM/5.6LPM | 6.6ft / 2m | 8ft / 2.4m | 3.7lbs / 1.69kg |

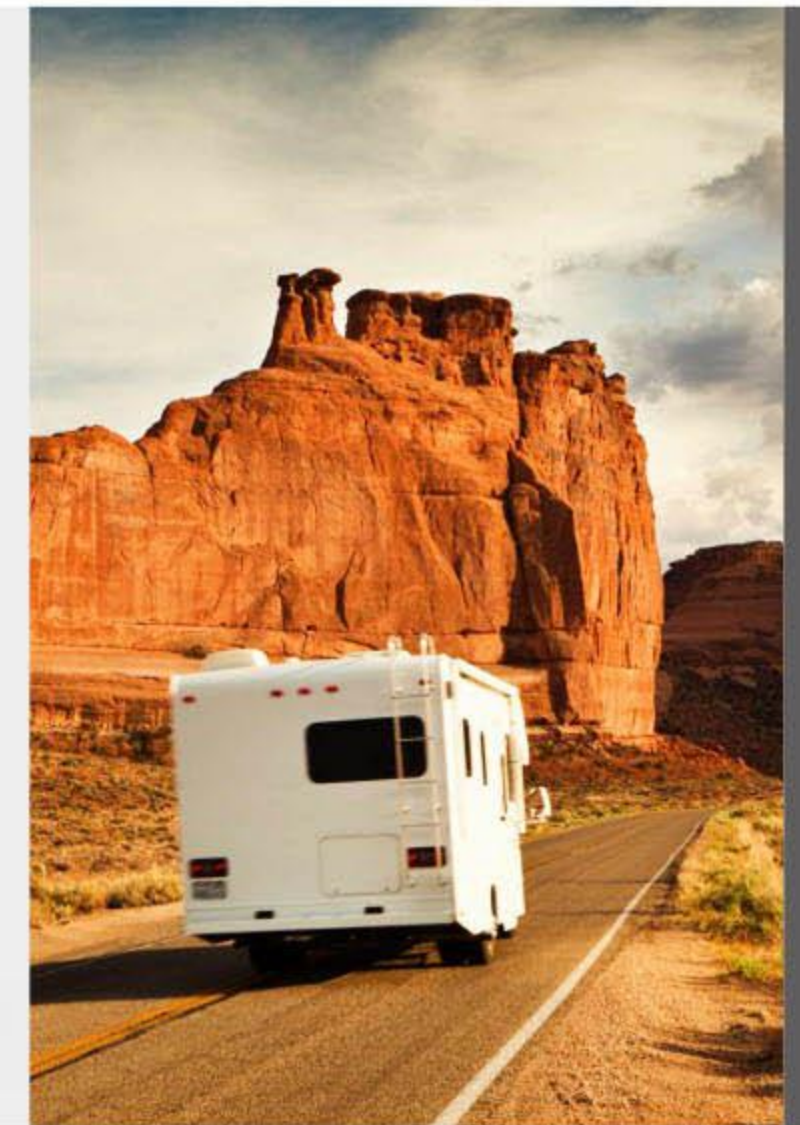
INSTALLATION DIMENSION DRAWING



Optional Accessories

Standard Pump Configurations

| Model Number | Voltage | Amp Draw | Fuse Size | Open Flow | Dimension(L*W*H) |
|---------------|---------|----------|-----------|---------------|------------------|
| SFOCS1-015-02 | 12V DC | 2A | 5A | 1.5GPM/5.6LPM | 185x103x68 mm |



All Star Series - Auto Shut Off Fuel Cans / 5L, 10L, 20L

DESCRIPTION

It is the latest version (the third generation) of SEAFLO all-star jerry can. With more user-friendly designs, SEAFLO all-star jerry can is more convenient and safer to use. It can hold gasoline, diesel, engine oil, alcohol, clean fuels, etc. The products are widely used in outdoor fuel equipment, such as automobiles, RVs, yachts, garden tools, agricultural equipment, ATVs; it also can be used in pharmaceutical factories, gas stations, energy factories, etc.

FEATURES & BENEFITS

- ① Auto shut off nozzle is easy to operate and will be closed automatically to prevent from leakage
- ② Child proof lock for safer use
- ③ Unique liquid level line for checking the volume at a glance
- ④ Innovative U-shaped groove design, Body of can has better ability of shock resistance, which make it solid and durable
- ⑤ Venting hole ensures faster and safer filling
- ⑥ Humanized side handle for easier use
- ⑦ The fixation problems during transportation is solved easily when U-shaped groove and band fit together.
- ⑧ Widened bottom to prevent from falling; for easy and safe storage, transportation
- ⑨ Slot design for easy stacking
- ⑩ Meet Australian standard of AS/NZS 2906:2001
- ⑪ Meet requirements of EPA & CARB certification



| Model | Capacity | Length | Width | Height | Weight (DRY) | Fuel | Color |
|------------|----------|--------|--------|--------|--------------|------------|--------|
| SFGT-05-02 | 5 L | 265 mm | 138 mm | 242 mm | 0.8 kg | Gasoline | Red |
| SFGT-10-02 | 10 L | 290 mm | 184 mm | 325 mm | 1.3 kg | Gasoline | Red |
| SFGT-20-02 | 20 L | 345 mm | 224 mm | 395 mm | 1.8 kg | Gasoline | Red |
| SFDT-05-02 | 5 L | 265 mm | 138 mm | 242 mm | 0.8 kg | Diesel | Yellow |
| SFDT-10-02 | 10 L | 290 mm | 184 mm | 325 mm | 1.3 kg | Diesel | Yellow |
| SFDT-20-02 | 20 L | 345 mm | 224 mm | 395 mm | 1.8 kg | Diesel | Yellow |
| SF2T-05-02 | 5 L | 265 mm | 138 mm | 242 mm | 0.8 kg | Two-stroke | Green |
| SF2T-10-02 | 10 L | 290 mm | 184 mm | 325 mm | 1.3 kg | Two-stroke | Green |
| SF2T-20-02 | 20 L | 345 mm | 224 mm | 395 mm | 1.8 kg | Two-stroke | Green |

Consult factory for other available models

Plastic 5L, 10L, 20L Auto Shut Off Fuel Cans

Fuel Container Gasoline, Diesel, Two-stroke engine oil EAP & AS/NZS 2906:2001 Standards

DESCRIPTION

Seafo 5, 10 & 20 Litre automatic shut off fuel cans which are designed with specially proportioned rear handle for balanced pouring that is self venting for safer & easier pouring.

Features reduced emissions to protect the environment and meets EAP & AS/NZS 2906:2001 Standards.

TYPICAL APPLICATIONS

Car, lawnmower, atv or snowblower and other essential equipment topped off with fuel

FEATURES & BENEFITS

Complies to EPA & CARB Standards
Spill Proof, Durable Vented Pouring Spout
UV Stabilized High Grade Polyethylene
Certified to Australian Standard AS/NZS 2906:2001



| Model | Capacity | Length | Width | Height | Weight (DRY) | Fuel | Color | Handle Type |
|------------|----------|--------|--------|--------|--------------|--------------------------------|--------|-------------|
| SFGT-05-01 | 5 L | 260 mm | 130 mm | 275 mm | 0.8 kg | Gasoline | Red | Built-in |
| SFGT-10-01 | 10 L | 290 mm | 160 mm | 346 mm | 1.3 kg | Gasoline | Red | Built-in |
| SFGT-20-01 | 20 L | 330 mm | 190 mm | 476 mm | 1.8 kg | Gasoline | Red | Built-in |
| SFDT-05-01 | 5 L | 260 mm | 130 mm | 275 mm | 0.8 kg | Diesel | Yellow | Built-in |
| SFDT-10-01 | 10 L | 290 mm | 160 mm | 346 mm | 1.3 kg | Diesel | Yellow | Built-in |
| SFDT-20-01 | 20 L | 330 mm | 190 mm | 476 mm | 1.8 kg | Diesel | Yellow | Built-in |
| SF2T-05-01 | 5 L | 260 mm | 130 mm | 275 mm | 0.8 kg | Two-stroke Gasoline Engine Oil | Green | Built-in |
| SF2T-10-01 | 10 L | 290 mm | 160 mm | 346 mm | 1.3 kg | Two-stroke Gasoline Engine Oil | Green | Built-in |
| SF2T-20-01 | 20 L | 330 mm | 190 mm | 476 mm | 1.8 kg | Two-stroke Gasoline Engine Oil | Green | Built-in |

Consult factory for other available models



Portable Marine Boat Fuel Tank With Gauge

DESCRIPTION

SEAFLO 3 Gallon/12 Liter, 6 Gallon/24 Liter Portable Marine Boat Fuel Tank with Gauge is constructed of 2 layers HDPE, which is strong & durable. Designed with ergonomic handle structure and built-in mechanical pointer make it easier use. It complies with 2010 EPA regulations and meets EPA CFR 40, California CCR 2468 and AS/NZS 2906:2001 standards.

TYPICAL APPLICATIONS

SEAFLO Portable Fuel Tank is designed for use in all marine and non-marine small engine applications

FEATURES & BENEFITS

Automatic vacuum valve ensures proper fuel flow and eliminates the need for manual vent
Low permeation tank virtually eliminates fuel evaporation and fuel loss.
1/4" NPT thread to fit standard tank fittings
Ethanol and Alcohol compatible



Multifunctional fuel cap with lock protection and built in check valve to ensure the pressure balance for inside and outside of tank during use.



Universal nozzle structure to match most of connectors.



Built-in mechanical pointer to know the level of the liquid in the tank through the transparent observation structure.



Constructed of double-layer HDPE material, strong and durable.



Ergonomic handle structure, easy to use.



Design for easily fixing the tank with strap. Allow stacked pack with multiple layers and prevents tank from moving.

Standard Tank Configurations

| Model | Capacity | Length | Width | Height | Weight (DRY) | Fuel | Color |
|------------|-------------------|--------------|--------------|---------------|--------------|----------|-------|
| SFGT-12-01 | 3 Gallon/12 Liter | 16.9"(430mm) | 11.4"(290mm) | 7.3"(185.5mm) | 1.40KG | Gasoline | Red |
| SFGT-24-01 | 6 Gallon/24 Liter | 19.7"(500mm) | 13.4"(340mm) | 9.5"(241mm) | 2.35KG | Gasoline | Red |

Fuel Transfer Pump

FEATURES & BENEFITS

Free you from lifting heavy fuel cans
Fast transfer rate up to 3.5GPM
The flow rate can be controlled by manual control nozzle
3-stage design allow to easily replace when damage
Overload protection to prevent from safety hazard
Portable and light weight for easy store and convenient use
Work perfectly with SEAFLO fuel cans
Transfers Gasoline, Diesel, Antifreeze, Light Oil, Chemical insecticides, Detergent, etc



Simple Switch
Switch on to start pump



Simple Hook
Hook nozzle when not use



Color Box

Standard Tank Configurations

| Model | Battery | Voltage | Max Flow Rate | Max Head | Duration | Tubing length | N.W / G.W |
|---------------|------------------------------|---------|---------------|----------|------------|----------------------------|-------------|
| SFFTP5-025-01 | 2pcs of D battery (N/A) | 3V | 2.5GPM | 1.5m | 1 H | in: 506 mm out: 1050 mm | 387 / 610 g |
| SFFTP5-032-01 | Rechargeable lithium battery | 3.7V | 3.2GPM | 3.0m | 2 H | in: 506 mm out: 1050 mm | 513 / 760 g |
| SFFTP1-032-01 | No, with power cable | 12V | 3.2GPM | 3.0m | Continuous | in: 506 mm out: 1050 mm | 393 / 710 g |

Battery Powered Fuel Transfer Pump

FEATURES & BENEFITS

LED is on when pump turns on, and off when pump turns off
Explosion-proof motor and overload protection
Weather-resistant and corrosion-resistant hose
Auto-stop sensor to stop when full
Simply press to start and stop



With level sensing function, automatic stop when filling up



Reminder of the operating status of the oil pump with indicator light



Color Box

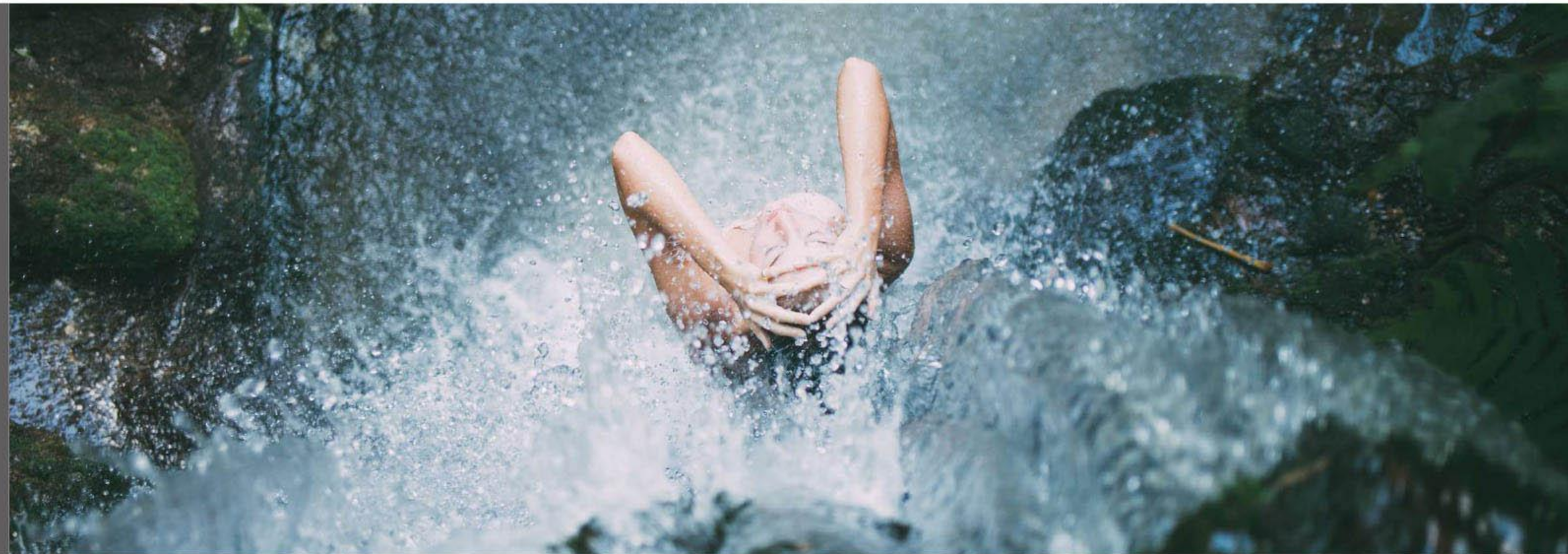
FTP21
48.4 mm

FTP22
59.5 mm

FTP23
65.2 mm

Standard Pump Configurations

| Model | Battery | Max Flow Rate | Max Head | Tubing length |
|---------------|------------|---------------|----------|----------------------------|
| SFFTP5-024-02 | AAAA (N/A) | 2.4GPM | 1.2m | in: 465 mm out: 1000 mm |
| SFFTP5-032-02 | Lithium | 3.2GPM | 1.5m | in: 465 mm out: 1000 mm |



Shower Head



SFSH1-01 SFSH1-02

Spray Gun



SFSG1-01 SFSG1-02

| Model | SFSH1-01 | SFSH1-02 | SFSG1-01 | SFSG1-02 |
|------------|--------------|-------------|----------|----------|
| Inlet size | G1/2 | G1/2 | G1/2 | G1/2 |
| Color | White/Chrome | White/Black | White | White |

Faucet Series

FEATURES & BENEFITS

- Chrome finish
- Excellent material is not easy to rust
- High-quality spool is not easy to drip
- Adjustable hot and cold switch freely
- Easy to clean, anti-corrosion and wear-resistant
- Various sizes for you to choose



SFFT1-04 SFFT1-05

| Model | SFFT1-04 | SFFT1-05 |
|----------|-------------|--------------|
| Function | Single cold | Cold and Hot |
| Color | Chrome | Chrome |



| Model | SFFT3-01 | SFFT4-01 | SFFT1-03 | SFFT2-03 |
|----------|--------------|--------------|-------------|--------------|
| Function | Cold and Hot | Cold and Hot | Single cold | Cold and Hot |
| Color | Chrome | Chrome | Chrome | Chrome |



| Model | SFFT1-01 | SFFT2-01 | SFFT1-02 | SFFT2-02 |
|----------|-------------|--------------|-------------|--------------|
| Function | Single cold | Cold and Hot | Single cold | Cold and Hot |
| Color | Chrome | Chrome | Chrome | Chrome |

Genuine Parts And Accessories



Pump Fittings

| Model | Size | Fitting Type | Material |
|--------|-----------------------------|-------------------------------|-------------|
| 21F001 | 15/32" X 3/8" Barb | HB Elbow Fitting w/ O-Ring | PA |
| 21F002 | 15/32" X 1/2" Barb | HB Elbow Fitting w/ O-Ring | PA |
| 21F003 | 1/4" x 1/4" QA | TUBE Elbow Fitting w/ O-Ring | POM |
| 21F004 | 15/32" X 3/8" Barb | HB Elbow Fitting w/ O-Ring | PA |
| 21F005 | 15/32" X 1/4" Barb | HB Elbow Fitting w/ O-Ring | PA |
| 23F001 | 5/8" QA x 3/8" Barb | HB Straight Fitting w/ O-Ring | PA |
| 23F002 | 5/8" QA x 3/8" Barb | HB Elbow Fitting w/ O-Ring | PA |
| 23F003 | 5/8" QA x 1/4" Barb | HB Straight Fitting w/ O-Ring | PA |
| 23F004 | 5/8" QA x 3/8" Barb | HB Straight Fitting w/ O-Ring | PA |
| 23F005 | 5/8" QA x 1/2" MNPT | MNPT Elbow w/ O-Ring | Black Nylon |
| 23F006 | 5/8" QA x 1/2" MNPT | MNPT Elbow w/ O-Ring | Black Nylon |
| 41F001 | 3/4" QA x 1/2" Barb | HS Elbow Fitting w/ O-Ring | Black Nylon |
| 41F002 | 3/4" QA x 1/2" MNPT | MNPT Elbow w/ O-Ring | Black Nylon |
| 41F003 | 3/4" QA x 1/2" Barb | HS Straight Fitting w/ O-Ring | Black Nylon |
| 41F004 | 3/4" QA x 1/2" MNPT | MNPT Straight w/ O-Ring | Black Nylon |
| 41F005 | 3/4" QA x 1/2" | TUBE Straight w/ O-Ring | Black Nylon |
| 41F006 | 3/4" QA x 3/4" Barb | HS Straight Fitting w/ O-Ring | Black Nylon |
| 41F007 | 3/4" QA x 3/4" Barb | Elbow Fitting w/ O-Ring | Black Nylon |
| 42F001 | 1/2" FNPT x G 1/2" | NPT Standard to G Standard | Copper |
| 51F001 | 1/2" -14 FNPT x 1/2" Barb | HSE Barb Straight Fitting | POM & PP |
| 51F002 | 1/2" -14 FNPT x 3/8" Barb | HSE Barb Straight Fitting | POM & PP |
| 51F003 | 1/2" -14 FNPT x 1/2" Barb | HSE Barb Elbow Fitting | POM & PP |
| 51F004 | 1/2"-14 FNPT x 1/2"-14 MNPT | MNPT Elbow Fitting | POM & PP |
| 51F005 | 1/2" -14FNPT x 3/8" Barb | HSE Barb Elbow Fitting | POM & PP |
| 51F008 | 1/2" -14FNPT x 3/4" Barb | HSE Barb Straight Fitting | POM & PP |
| 51F009 | 1/2" FNPT x 1/2" FNPT | HSE Barb Straight Fitting | POM & PP |
| 51F010 | 1/2" FNPT x 3/4" MNPT | HSE Barb Straight Fitting | POM & PP |

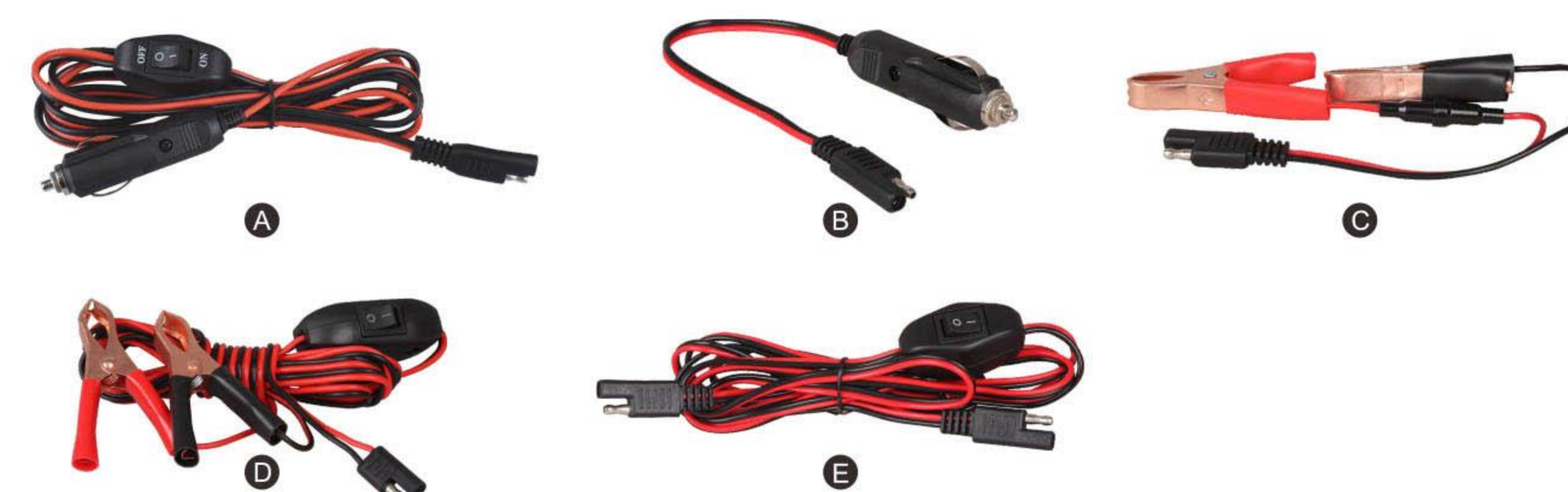
Genuine Parts And Accessories



| Model | Size | Fitting Type | Mesh Size |
|-------|------------------------|-------------------------------------|-----------|
| 51S01 | 1/2"-14 MNPT | 1/2"-14 FNPT Inline Filter/Strainer | 50 |
| 52S01 | 3/4" Male Quick Attach | 1/2" Hose Barb | 50 |
| 52S02 | 3/4" Male Quick Attach | 1/2"-14 FNPT Inline Filter/Strainer | 50 |



| Item Number | Pressure Range | Max Amp. | Suitable For |
|--------------------------------------|----------------|----------|-------------------------------------|
| 01 Series Square Pressure Switch | 17-100 PSI | 15 A | 21/22/33/41 short/42 short/43 short |
| 02 Series Square Pressure Switch | 17-60 PSI | 25 A | 41 long/42 long/43 long |
| 51 New/55/56A Series Pressure Switch | 60 PSI | 20 A | 51 New/55/56A |



Wire Harnesses

| Item Number | Type | Length | Molded 2-pin connector |
|-------------|--|--------|------------------------|
| A | 16 AWG wiring harness with on-off switch car adaptor | 95.27" | Yes |
| B | 18 AWG wiring car adaptor | 11.81" | Yes |
| C | 18 AWG wiring 30-amp battery clips | 12.80" | Yes |
| D | 18 AWG wiring harness with on-off switch, two 30-amp battery clips | 98.43" | Yes |
| E | 18 AWG wiring harness with on-off switch | 92.52" | Yes |