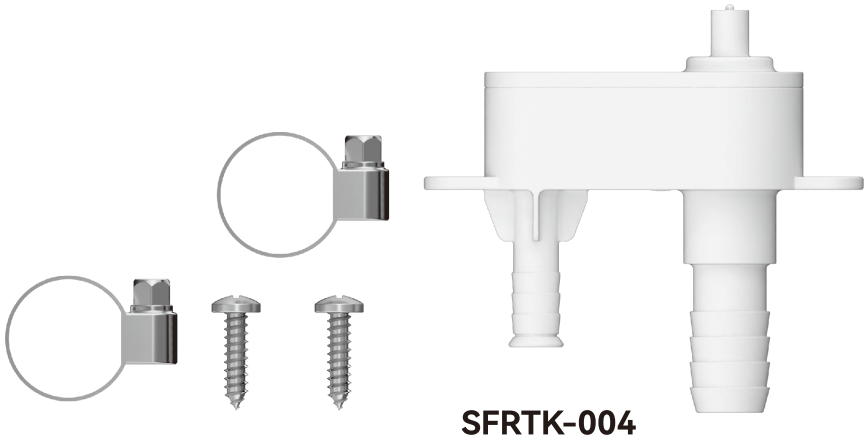


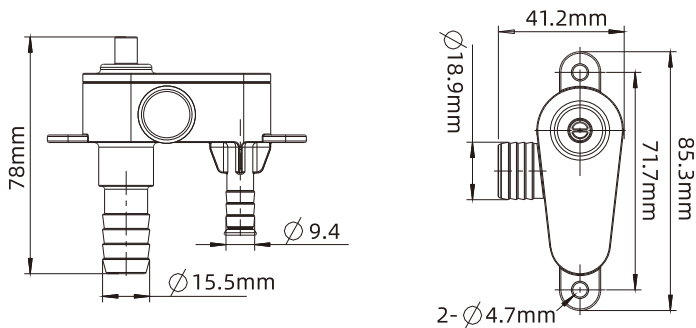
Outlet Valve Kit Manual



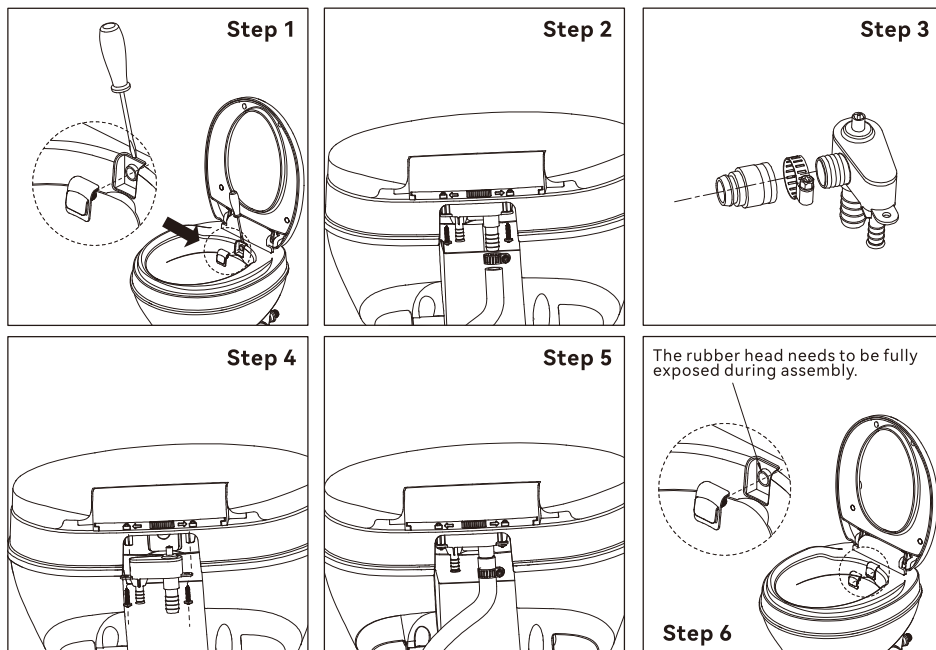
FEATURE & BENEFIT

- Toilet water outlet valve kit replacement for SEAFLO residential RV toilets
- Use high-quality materials to extend the service life of the valve
- Includes : 1 x RV toilet outlet water valve, 2 x new mounting screws, 2 x hose clamp

DIMENSION DRAWING



INSTALLATION



Step 1: Use a slotted screwdriver to pry the nozzle out along the gap.

Step 2: Unscrew the clamp where the water outlet valve is connected to the water inlet valve, and pull out the hose. Then loosen the screws on both sides of the water outlet valve and take it off, and slowly pull out the water outlet valve.

Step 3: Use a cross screwdriver to loosen the clamp at the connector, pull out the silicone connector, and replace the new outlet valve with a new clamp to tighten the silicone connector.

Step 4: Put the new water outlet valve back in its original position, and pay attention to the silicone joint head leaking out completely.

Step 5: Tighten the screw, connect the pipe connecting the outlet valve to the inlet valve, and lock the clamp.

Step 6: Finally, install the nozzle back.

Note: the rubber head needs to be fully exposed during assembly.