


ELECTRICAL CONNECTION

WIRING: Use stranded copper wire. For lengths up to 25 feet (7.6 in) from power source: Use 2 mm wire for 12 volt and 1.5mm wire for 24 volt. Use large wire for longer lengths. Circuit must be protected with a fuse. Suggested fuse sizes are listed in the specification table.

FUSE SPECIFICATION

Model	Volt(V)	Air Flow (CFM/CMH)	Amp Draw(A)	Fuse(A)
SFBB1-320-02	12	320/550	11.0	16.0
SFBB1-320-03	12	320/550	11.0	16.0
SFBB2-320-02	24	320/550	6.0	10.0
SFBB2-320-03	24	320/550	6.0	10.0
SFBB1-130-01	12	130/220	2.5	5.0
SFBB2-130-01	24	130/220	1.5	3.0



WARNING

Explosion hazard: Gasoline vapors can explode. Before starting engine, operate blower for 4 minutes and check engine compartment bilge for gasoline vapors.

WARRANTY

A.LIMITED WARRANTY: We warrants that at the time of shipment, the products manufactured by us and sold hereunder shall be in conformity with applicable written specifications and descriptions referred to or set forth herein, free from defects in material and workmanship, merchantable, and suitable for a particular purpose, provided such is im plied by State law under the circumstances of this sale.

1. We agrees to repair or furnish a replacement for, but not to remove or install, any product or component there of which, within one (1) year from date of purchase, shall upon test and examination by us.
- (2) Prove defective within the above warranty. Receipt verifying purchase date is required to obtain the claimed goods.
- (3) No product will be accepted for return or replacement without the prior written authorization of us. Upon such authorization, and in accordance with instructions from us, the product will be returned to our factory address.

SEAFLO[®]

Bilge Blower Instruction



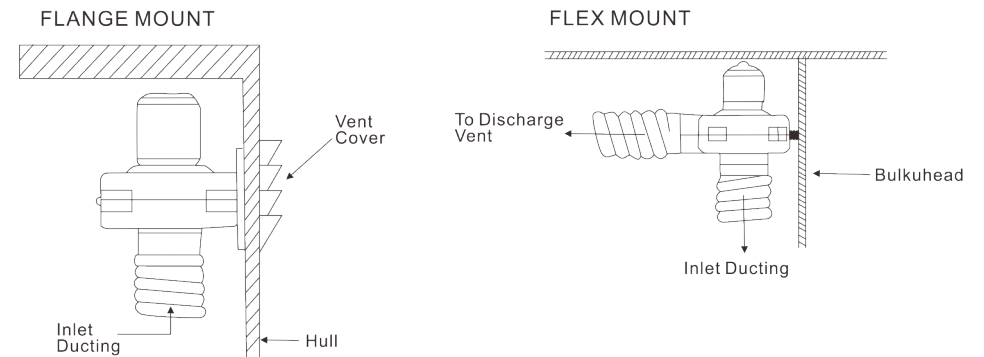
EXTENDED LIFE MOTOR

- Tough Reinforced Thermoses Plastic Housing
- Mounts To Any Flat Surface
- Slip-On Inlet Ducting Connection
- Efficient High Volume Air Flow
- Low-Current Draw
- Corrosion-Resistant Materials

The bilge blower design and production are according to ISO 8846, 10133, 9097, EN 55014, 61000 and USCG Electrical Regulations.

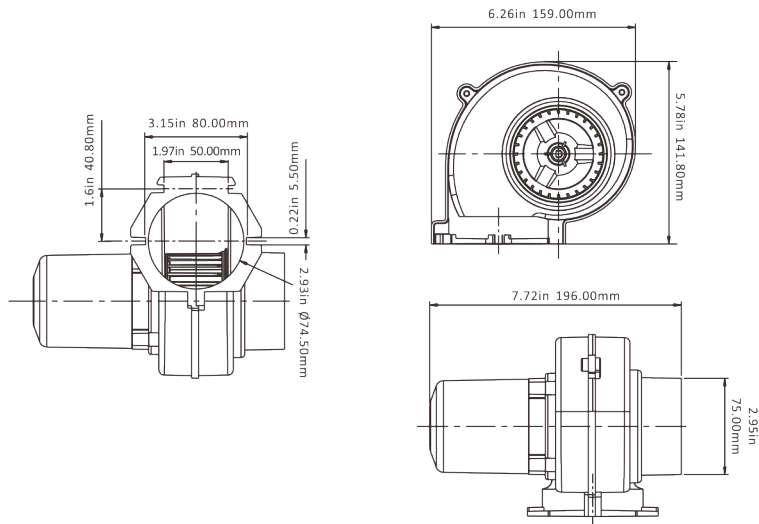
FLEX AND FLANGE MOUNT

Blower is mounted on a flat bulkhead surface in highest part of compartment free from spray or deck wash. Use a suitable discharge fitting so that static pressure of blower will not be affected by change in wind direction. Route inlet ducting with as few bends as possible to lower 1/3 of the bilge compartment where vapors are likely to accumulate. Be sure ducting is positioned below top of engine stringers but not so low as to become submerged in bilge water. Locate pickup to take advantage of natural airflow direction.

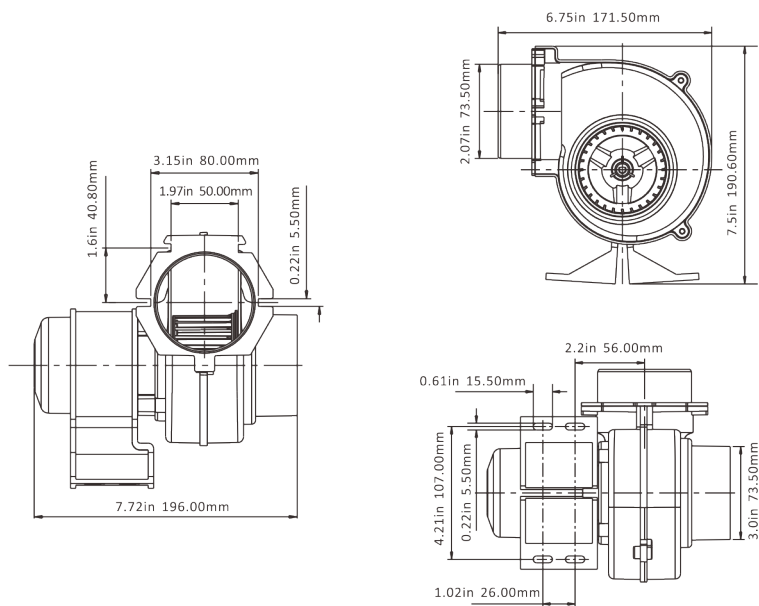


(1) SFBB1-130-01,SFBB2-130-01 DIMENSION

FLANGE MOUNT

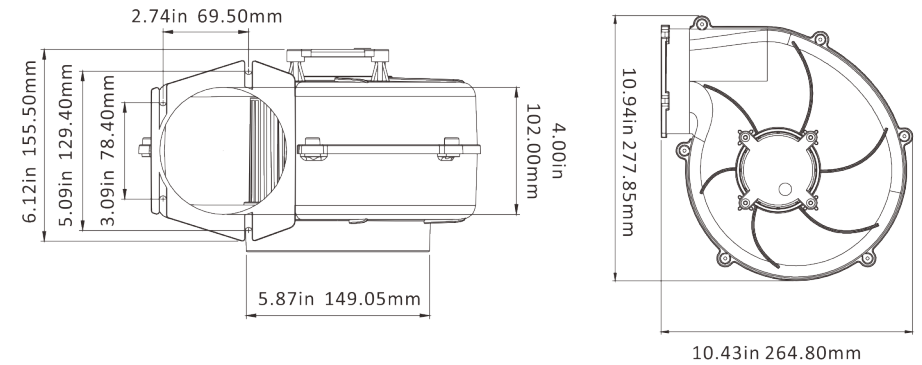


FLEX MOUNT



(2) SFBB1-320-02;SFBB2-320-02 DIMENSION

FLANGE MOUNT



(3) SFBB1-320-03;SFBB2-320-03 DIMENSION

FLEX MOUNT

